

Silvaire

**MODEL 8
MASTER PARTS LIST**

**THIS CATALOGUE CONTAINS PARTS FOR ALL
MODELS 8 SERIES**

**No. 59-2
MARCH 1, 1959**

**SILVAIRE AIRCRAFT COMPANY
P. O. BOX 719 • FORT COLLINS, COLORADO**

Silvaire Warranty

SILVAIRE AIRCRAFT COMPANY, hereinafter referred to as Silvaire, manufacturer of SILVAIRE airplanes, warrants each new airplane or part manufactured by it to be free from defects in material and workmanship when used under normal conditions for ninety days or in no case to exceed fifty (50) hours flying time after delivery from the factory. This warranty is limited to replacing or repairing at its factory any part or parts which have been returned to Silvaire with transportation charges prepaid, and which, in its opinion, are defective. This warranty is expressly in lieu of all other warranties or representations, expressed or implied, and all other liabilities on the part of Silvaire.

This warranty does not cover any labor charges for replacement of parts, adjustments, repairs or any other work done on Silvaire airplanes or parts.

This warranty shall not apply to any airplane or part which shall have been repaired or altered outside of our factory in any way so as, in our judgment, to affect its operation, or which has been subject to misuse, negligence or accident, or which shall have been operated at a "speed exceeding the factory rated speed."

Silvaire makes no warranty with respect to engine, instruments, propeller, tires, wheels or other trade accessories, inasmuch as they are usually warranted specially by their respective manufacturers.

Silvaire reserves the right to change airplane or parts specifications or prices without incurring any responsibility with respect to airplanes or parts previously sold or replaced.

SILVAIRE AIRCRAFT COMPANY
FORT COLLINS, COLO.

PARTS LIST No. 59-2

Replacement Parts

March 1, 1959

PRICE CHANGES

Due to the present economic conditions the Silvaire Aircraft Company reserves the right to change all prices, or specification of parts without notice and without increasing any responsibility with regards to parts previously sold or replaced. Orders will be invoiced at prevailing prices at time of shipment. All prices shown herein are F.O.B. Fort Collins, Colorado.

INSTRUCTIONS FOR ORDERING

1. Be sure to specify the Aircraft Model and Serial Number.
2. Order all parts by part number, type, quantity and with COMPLETE DESCRIPTION of PARTS desired.
3. Specify method of shipping but when nature of shipment requires it we reserve the right to ship the most suitable way.

SHORTAGES

To prevent error and shortages all shipments are checked before leaving the factory by our Shipping Department. Packing slips are enclosed with each shipment and any claim or claims for shortages must be made within three (3) days after receipt of order.

RETURN OF PARTS

No part or parts shall be returned without first obtaining our permission. Material sent in without notice will be held at the owner's risk for thirty (30) days and will then be disposed of as we see fit. Transportation charges must be PREPAID on all returned goods or the shipment will be refused unless we notify you otherwise.

LIABILITIES DUE TO TRANSPORTATION

Silvaire Aircraft Company will not hold itself liable for damages to parts in transit from the factory. Where a shipment is received in a damaged condition, have the delivery agent note the amount of damage and file your claim with the carrier. In case of concealed damage, do not attempt to remove from shipping container or endeavor to repair, but call the carrier and have claim agent inspect the damage before filing your claim with the carrier.

GENERAL INFORMATION

The Service Department is open from 8:00 A. M. to 4:30 P. M. Monday through Friday. Wire and telephone orders should be sent as early in the day as possible to aid us in making immediate shipment. If it is necessary to take delivery of parts at the factory we would greatly appreciate it if you make an effort to place the order at least a day in advance of your coming. Address all communication regarding Parts Orders to the Service Department, Silvaire Aircraft Company, P.O. Box 719, Fort Collins, Colo.

INDEX TO ILLUSTRATIONS

Figure No.	Title	Page
1.	All Metal Wing—8A.....	12A
2.	Landing Gear Assembly—No. 08311.....	16A
2A.	Siflex Landing Gear.....	18A
3.	Fuselage—Station No. 1 to No. 2, Front—Model 8A.....	22A
4.	Fuselage—Station No. 2, Rear to Station No. 3.....	25
5.	Fuselage—Superstructure	28
6.	Fuselage—Stations No. 3 to No. 4—Model 8A.....	30
7.	Fuselage—Stations No. 3 to No. 4—Model 8E.....	32
8.	Fuselage—Stations No. 4 to No. 7.....	34A
9.	Fuselage—Stations No. 7 to No. 8.....	36
10.	Door Assemblies—Models 8A and 8E.....	40A
11.	Fin and Rudder Assembly.....	42A
11A.	Fin Assembly	44
11B.	Rudder Assembly	44A
12.	Stabilizer and Elevator Assembly.....	48A
12A.	Stabilizer Assembly	52A
13.	Aileron	55
14.	Rudder Control	58A
15.	Elevator Control	60A
16.	Aileron Control	64A
17.	Brake Control	66A
18.	Tab Control and Tail Wheel.....	70A
19.	Pressure Baffle System—Continental A-65 Engine.....	73
20.	Flap Installation	74A
21.	Exhaust System—Model 8A.....	78
22.	Exhaust System and Heater Mufflers—Model 8F.....	80
23.	Fuel System and Motor Mount—8A.....	84A
24.	Fuel System—Wing Tanks—8A and 8E.....	88A
25.	Electrical System—Model 8E and 8A.....	94A
26.	Cowl Assembly—A-65 Engine.....	96
27.	Seating and Safety Belts—Model 8A.....	98
28.	Upholstery—Model 8A	101
29.	Upholstery and Floor Boards—Model 8A.....	104
30.	Baggage Compartment—Model 8A.....	106

ALL METAL WING — MODEL 8A

FIGURE No. 1

Ref. No.	Part No.	Description	Required Left	Per Right	Wing Total
1	082201-60	Top outboard panel apron—front.....	1	1	2
2	082201-30	Top outboard panel former.....	4	4	8
3	082201-61	Top outboard panel apron—rear.....	1	1	2
4	082201-42	Top outboard panel skin.....	1	1	2
5	082201-6	Top outboard panel sub assembly, left hand..... (Assembly includes the following parts from Fig. No. 1: Part Reference Nos. 1, 2, 3, 4, and 7)	1	..	1
6	082201-7	Top outboard panel sub assembly, right hand..... (Assembly includes the following parts from Fig. No. 1: Part Reference Nos. 1, 2, 3, 4, and 7)	..	1	1
7	082201-39	Outboard aileron blanket.....	1	1	2
8	082201-59	Top center panel apron—front.....	1	1	2
9	082201-31	Top center panel former.....	4	4	8
10	082201-41	Top center panel skin.....	1	1	2
11	082201-4	Top center panel sub assembly, left hand..... (Assembly includes the following parts from Fig. No. 1: Part Reference Nos. 8, 9, 10, 13, and 101)	1	..	1
12	082201-5	Top center panel sub assembly, right hand..... (Assembly includes the following parts from Fig. No. 1: Part Reference Nos. 8, 9, 10, 13, and 101)	..	1	1
13	082201-38	Inboard aileron blanket.....	1	1	2
14	582207	Trailing edge rib, L.H.....	1	..	1
15	582207-1	Trailing edge rib, R.H.....	..	1	1
16	082201-40	Top inboard panel skin—L/R.....	1	1	2
17	082201-2	Top inboard panel sub assembly, left hand..... (Assembly includes the following parts from Fig. No. 1: Part Reference Nos. 16, 19, 20, 21, 22, 23 and 24)	1	..	1
18	082201-3	Top inboard panel sub assembly, right hand..... (Assembly includes the following parts from Fig. No. 1: Part Reference Nos. 16, 19, 20, 21, 22, 23 and 24)	..	1	1
19	082201-56	Top inboard panel apron—front outboard.....	1	1	2
20	082201-58	Top inboard panel apron—rear outboard.....	1	1	2
21	082201-55	Top inboard panel apron—front inboard.....	1	1	2
22	082201-57	Top inboard panel apron—rear inboard.....	1	1	2
23	082201-31	Top inboard panel former.....	11	11	22
24	082201-37	Top inboard panel apron stiffener.....	1	1	2
25	082201-54	Trailing edge strip.....	1	1	2
26	082201-49	Trailing edge skin stiffener—upper and lower..... (Not used on later models)	2	2	4

SILVAIRE AIRCRAFT COMPANY, FORT COLLINS, COLORADO

ALL METAL WING — MODEL 8A — (Continued)

Ref. No.	Part No.	Description	Required Per Wing		
			Left	Right	Total
27	082201-52	Trailing edge top skin—L.H.....	1	..	1
27A	082201-20	Trailing edge top skin assembly—L.H..... (Assembly includes the following parts from Fig. No. 1: Part Reference Nos. 26 and 27).....	1	..	1
28	082201-53	Trailing edge top skin—R.H.....	..	1	1
28A	082201-21	Trailing edge top skin assembly—R.H..... (Assembly includes the following parts from Fig. No. 1: Part Reference Nos. 26 and 28)	..	1	1
29	082201-50	Trailing edge Bottom skin—L.H.....	1	..	1
29A	082201-22	Trailing edge bottom skin assembly—L.H..... (Assembly includes the following parts from Fig. No. 1: Part Reference Nos. 26 and 29)	1	..	1
30	082201-51	Trailing edge bottom skin—R.H.....	..	1	1
30A	082201-23	Trailing edge bottom skin assembly—R.H..... (Assembly includes the following parts from Fig. No. 1: Part Reference Nos. 26 and 30).....	..	1	1
31	082203	Main wing rear spar assembly—L.H..... (Assembly includes the rear main spar beam and the follow- ing parts from Fig. No. 1: Part Reference Nos. 41, 77, 78, 84)	1	..	1
32	082203-1	Main wing rear spar assembly—R.H..... (Assembly includes the rear main spar beam and the follow- ing parts from Fig. No. 1: Part Reference Nos. 41, 77, 78, 84)	..	1	1
33	082201-73	Trailing edge root gusset.....	1	1	2
34	#4x 1/4"	Parker Kalon Screw—Type A.....	15	15	30
35	482154-4	Trailing edge wing root fairing—L.H.....	1	..	1
36	482154-5	Trailing edge wing root fairing—R.H.....	..	1	1
37	482154-2	Rubber strip—root fairing.....	1	..	1
38	482154-3	Rubber strip—root fairing.....	..	1	1
39	AN365-624	Nut.....	1	1	2
40	AN960-616	Washer.....	1	1	2
41	18242	Wing hinge fitting—rear spar.....	2	2	4
42	AN960-616	Washer.....	1	1	2
43	AN6-22A	Bolt.....	1	1	2
44	582206	Root rib assembly—L.H.....	1	..	1
45	582206-1	Root rib assembly—R.H.....	..	1	1
46	AN931-5-9	Rubber Grommet (left side only).....	1	..	1
47	082201-37	Stiffener—bottom No. 1 panel.....	1	1	2
48	AN380-3-4	Cotter pin.....	1	1	2
49	18241	Wing hinge fitting—front spar.....	2	2	4
50	082201-57	Bottom No. 1 panel apron—front.....	1	1	2

SILVAIRE AIRCRAFT COMPANY, FORT COLLINS, COLORADO

ALL METAL WING — MODEL 8A — (Continued)

Ref. No.	Part No.	Description	Required Per Wing		
			Left	Right	Total
51	18230	Front wing hinge pin.....	1	1	2
52	AN380-3-4	Cotter pin.....	1	1	2
53	082201-43	Bottom No. 1 panel skin.....	1	1	2
54	082201-8	Bottom No. 1 panel assembly—L.H..... (Assembly includes the following parts from Fig. No. 1: Part Reference Nos. 47, 50, 53, 57 and 61)	1	..	1
55	082201-9	Bottom No. 1 panel assembly—R.H..... (Assembly includes the following parts from Fig. No. 1: Part Reference Nos. 47, 50, 53, 57 and 61)	..	1	1
56	082201-44	Bottom no. 2 panel skin.....	1	1	2
57	082201-32	Bottom No. 1 panel former.....	3	3	6
58	182116	Angle—rear interspar rib.....	1	1	2
59	082201-10	Bottom No. 2 panel assembly—L.H..... (Assembly includes the following parts from Fig. No. 1: Part Reference Nos. 56, 64, 65 and 66)	1	..	1
60	082201-11	Bottom No. 2 panel assembly—R.H..... (Assembly includes the following pars from Fig. No. 1: Part Reference Nos. 56, 64, 65 and 66)	..	1	1
61	082201-55	Bottom No. 1 panel apron—rear.....	1	1	2
62	382103	Interspar rib—L.H.....	1	..	1
63	382103-1	Interspar rib—R.H.....	..	1	1
64	082201-63	Bottom No. 2 panel apron—rear.....	1	1	2
65	082201-62	Bottom No. 2 panel apron—front (not shown).....	1	1	2
66	082201-32	Bottom No. 2 panel former.....	2	2	4
67	082201-45	Bottom No. 3 panel skin.....	1	1	2
68	082201-12	Bottom No. 3 panel assembly—L.H..... (Assembly includes the following parts from Fig. No. 1: Part Reference Nos. 67, 70, 71 and 119)	1	..	1
69	082201-13	Bottom No. 3 panel assembly—R.H..... (Assembly includes the following parts from Fig. No. 1: Part Reference Nos. 67, 70, 71 and 119)	..	1	1
70	082201-32	Bottom No. 3 panel former.....	3	3	6
71	082201-65	Bottom No. 3 panel apron—rear.....	1	1	2
72	082201-46	Bottom No. 4 panel skin.....	1	1	2
73	082201-67	Bottom No. 4 panel apron—rear inboard.....	1	1	2
74	082201-36	Bottom No. 4 panel stiffener.....	1	1	2
75	AN366-F832	Nut plate.....	4	4	8
76	282005	Aileron hinge, inboard.....	1	1	2
76A	AN3-12A	Bolt.....	2	2	4
76A	AN960-616	Washer.....	2	2	4
77	AN366-F1032	Nut plate.....	1	1	2

SILVAIRE AIRCRAFT COMPANY, FORT COLLINS, COLORADO

ALL METAL WING — MODEL 8A — (Continued)

Ref. No.	Part No.	Description	Required Per Wing		
			Left	Right	Total
78	22A17-02	Anchor nut.....	1	1	2
79	582216	Inter-spar wing strut fitting assembly—L.H..... (Assembly includes the following parts from Fig. No. 1: Part Reference Nos. 98, 99, 125 and inter-spar channel)	1	..	1
80	582216-1	Inter-spar wing strut fitting assembly—R.H..... (Assembly includes the following parts from Fig. No. 1: Part Reference Nos. 98, 99, 125 and inter-spar channel)	..	1	1
81	AN3-12A	Bolt.....	2	2	4
82	AN960-616	Washer.....	2	2	4
83	282005	Aileron hinge, center.....	1	1	2
84	AN366-F1032	Nut plate.....	2	2	4
85	AN3-4A	Bolt.....	2	2	4
86	AN960-10	Washer.....	4	4	8
87	AN365-1032	Nut.....	2	2	4
88	18275	Aileron hinge, outboard.....	1	1	2
89	182140-1	Aileron hinge bracket, outboard—R.H.....	1	1	2
90	182140	Aileron hinge bracket, outboard—L.H.....	1	1	2
91	582209-2	Wing tip spur—L.H.....	1	..	1
92	582209-3	Wing tip spur—R.H.....	..	1	1
93	082203-4	Rear wing tip spar—L.H.....	1	..	1
94	082203-5	Rear wing tip spar—R.H.....	..	1	1
95	AN3-4A	Bolt.....	4	4	8
96	AN960-10	Washer.....	4	4	8
97	AN365-1032	Nut.....	4	4	8
98	282218-1	Rear gusset, wing strut inter-spar fitting.....	1	1	2
99	182219	Fitting, inter-spar wing strut.....	1	1	2
100	082201-69	Bottom No. 5 panel apron—rear outboard.....	1	1	2
101	082201-34	Fairlead, bottom No. 5 and top center panels.....	2	2	4
102	082201-32	Bottom No. 5 panel former.....	3	3	6
103	082201-47	Bottom No. 5 panel skin.....	1	1	2
104	082201-16	Bottom No. 5 panel assembly—L.H..... (Assembly includes the following parts from Fig. No. 1: Part Reference Nos. 100, 101, 102, 103 and 128)	1	..	1
105	082201-17	Bottom No. 5 panel assembly—R.H..... (Assembly includes the following parts from Fig. No. 1: Part Reference Nos. 100, 101, 102, 103 and 128)	..	1	1
106	082201-72	Bottom No. 6 panel apron—rear inboard.....	1	1	2
107	082201-61	Bottom No. 6 panel apron—rear outboard.....	1	1	2

SILVAIRE AIRCRAFT COMPANY, FORT COLLINS, COLORADO

ALL METAL WING — MODEL 8A — (Continued)

Ref. No.	Part No.	Description	Required Per Wing		
			Left	Right	Total
108	082201-33	Bottom No. 6 panel former.....	4	4	8
109	082201-48	Bottom No. 6 panel skin—L.H.....	1	..	1
109A	082201-4800	Bottom No. 6 panel skin—R.H.....	..	1	1
110	082201-18	Bottom No. 6 panel assembly—L.H..... (Assembly includes the following parts from Fig. No. 1: Part Reference Nos. 106, 107, 108, 109 and 129)	1	..	1
111	082201-19	Bottom No. 6 panel assembly—R.H..... (Assembly includes the following parts from Fig. No. 1: Part Reference Nos. 106, 107, 108, 109A and 129)	..	1	1
112	#6x $\frac{3}{8}$ "	Screw—Type Z—Packer Kalon.....	6	6	12
113	A2826-16	Clip for Navigation light wire.....	6	6	12
114	182115	Angle—inter-spar rib.....	1	1	2
115	AN931-5-9	Rubber grommet.....	1	..	1
116	182023	Airspeed tube.....	1	..	1
117	AN819-3D	Coupling including AN819-3Z sleeve.....	1	..	1
118	182133	Front spar airspeed fitting assembly.....	1	..	1
119	082201-64	Bottom No. 3 panel apron—front.....	1	1	2
120	082201-14	Bottom No. 4 panel assembly—L.H..... (Assembly includes the following parts from Fig. No. 1: Part reference Nos. 72, 73, 74, 123, 124, 127 and 192)	1	..	1
121	082201-15	Bottom No. 4 panel assembly—R.H..... (Assembly includes the following parts from Fig. No. 1: Part reference Nos. 72, 73, 74, 123, 124, 127 and 192)	..	1	1
122	482220	Metal wing strut fairing—L.H.....	1	..	1
	482220-1	Metal wing strut fairing—R.H.....	..	1	1
123	082201-66	Bottom No. 4 panel apron—front.....	1	1	2
124	082201-32	Bottom No. 4 panel former.....	4	4	8
125	282218	Front gusset, wing strut inter-spar fitting.....	1	1	2
126	X-200	Rubber strip.....	1	1	2
127	082201-36	Bottom No. 4 panel stiffener.....	1	1	2
128	082201-69	Bottom No. 5 panel apron—front.....	1	1	2
129	082201-71	Bottom No. 6 panel apron—front.....	1	1	2
130	282134	Root nose rib—L.H.....	1	..	1
131	282134-1	Root nose rib—R.H.....	..	1	1
132	282162	Wing inspection cover plate assembly.....	2	2	4
133	#4x $\frac{1}{4}$ "	Parker Kalon screw—Type A.....	5	5	10
134	28249	Wing root leading edge fairing—L.H.....	1	..	1
135	28249-1	Wing root leading edge fairing—R.H.....	..	1	1
136	28249-2	Rubber strip.....	1	1	2

SILVAIRE AIRCRAFT COMPANY, FORT COLLINS, COLORADO

ALL METAL WING — MODEL 8A — (Continued)

Ref. No.	Part No.	Description	Required Per Wing		
			Left	Right	Total
137	282210	Leading edge nose rib—L.H./R.H.....	3	3	6
138	482214	Leading edge nose rib assembly—L/R..... (Assembly includes the following parts from Fig. No. 1: Part Reference No. 141)	1	1	2
139	18844	Airspeed tube extension.....	1	..	1
140	AN931-6-10	Rubber grommet.....	1	..	1
141	482214-2	Fairlead.....	1	1	2
142	282210	Leading edge rib—L.H./R.H.....	1	1	2
143	082201-86	Leading edge skin, inboard—L.H.....	1	..	1
143A	082201-2400	Leading edge assembly, inboard—L.H..... (L. E. assembly includes the following parts from Fig. No. 1: Part Reference Nos. 130, 137, 138, 142 and 143)	1	..	1
144	082201-87	Leading edge skin, inboard—R.H.....	..	1	1
144A	082201-2500	Leading edge assembly, inboard—R.H..... (L. E. assembly includes the following parts from Fig. No. 1: Part Reference Nos. 131, 137, 138, 142 and 143)	..	1	1
145	282210	Leading edge nose rib—L.H./R.H.....	1	1	2
146	082201-96	Leading edge skin, intermediate—L.H.....	1	..	1
146A	082201-2401	Leading edge assembly, intermediate—L.H..... (Assembly includes the following parts from Fig. No. 1: Part Reference Nos. 145, 146, 148, 150 and 155)	1	..	1
147	082201-97	Leading edge skin, intermediate—R.H.....	..	1	1
147A	082201-2501	Leading edge assembly, intermediate—R.H..... (L.E. assembly includes the following parts from Fig. No. 1: Part Reference Nos. 145, 147, 148, 150 and 155)	..	1	1
148	482214	Leading edge nose rib assembly—L.H./R.H.....	1	1	2
149	482214-2	Fairlead.....	1	1	2
150	282210	Leading edge nose rib—L.H./R.H.....	2	2	4
151	282226	Outboard aileron pulley bracket—upper.....	1	1	2
151A	282227	Outboard aileron pulley bracket—lower.....	1	1	2
152	AN515-6-4	Screw (2 per cover plate assembly).....	4	4	8
153	18284-2	Wing inspection cover plate.....	2	2	4
154	18284-3	Wing inspection cover plate reinforcement.....	2	2	4
155	282210	Leading edge nose rib—L.H./R.H.....	1	1	2
156	282211	Leading edge tip nose rib, inboard—L.H.....	1	..	1
157	282211-1	Leading edge tip nose rib, inboard—R.H.....	..	1	1
158	282212	Leading edge tip nose rib, outboard—L.H.....	1	..	1
159	282212-1	Leading edge tip nose rib, inboard—R.H.....	..	1	1
160	AN3-13A	Bolt.....	1	1	2
161	082213-5	Spacer.....	1	1	2

SILVAIRE AIRCRAFT COMPANY, FORT COLLINS, COLORADO

ALL METAL WING — MODEL 8A — (Continued)

Ref. No.	Part No.	Description	Required Per Wing		
			Left	Right	Total
162	AN960-10	Washer.....	1	1	2
163	AN365-1032	Nut.....	1	1	2
164	AN6-15A	Bolt.....	1	1	2
165	082213-7	Fitting—Bottom lift strut.....	1	1	2
166	082213-6	Fitting—Bottom lift strut.....	1	1	2
167	AN365-624	Nut.....	1	1	2
168	AN960-616	Washer.....	1	1	2
169	082213	Lift strut assembly—L.H..... (Assembly includes lift strut beam and following parts from Fig. No. 1: Part Reference Nos. 160, 161, 162, 163, 165, 166, 171, 173, 174, 175 and 176)	1	..	1
170	082213-1	Lift strut assembly—R.H..... (Assembly includes lift strut beam and following parts from Fig. No. 1: Part Reference Nos. 160, 161, 162, 163, 165, 166, 171, 173, 174, 175 and 176)	..	1	1
171	182230	Tie down lug.....	1	1	2
172	AN6-15A	Bolt.....	1	1	2
173	082213-4	Fitting—Top lift strut.....	1	1	2
174	082213-5	Fitting—Top lift strut.....	1	1	2
175	AN960-616	Washer.....	2	2	4
176	AN365-428	Nut.....	2	2	4
177	AN960-616	Washer.....	1	1	2
178	AN365-624	Nut.....	1	1	2
179	082201-78 082201-26	Wing tip leading edge outboard—L.H., no cut out..... With cut out for landing light	1	..	1
179A	082201-2600	Wing tip leading edge assembly—L.H..... (Assembly includes the following parts from Fig. No. 1: Part Reference Nos. 156, 158 and 179)	1	..	1
180	082201-79 082201-27	Wing tip leading edge outboard—R.H., no cut out..... With cut out for landing light	..	1	1
180A	082201-2700	Wing tip leading edge assembly—R.H..... (Assembly includes the following parts from Fig. No. 1: Part Reference Nos. 157, 159 and 180)	..	1	1
181	082202-4	Front wing tip spar—L.H.....	1	..	1
182	082202-5	Front wing tip spar—R.H.....	..	1	1
183	58834-129	Navigation light wire—(No. 16 gauge)—L.H.....	1	..	1
183A	58843-131	Navigation light wire—(No. 16 gauge)—R.H.....	..	1	1
184	582208-202	Wing tip bow—(Not drilled for lights)—L.H.....	1	..	1
185	582208-303	Wing tip bow—(Not drilled for lights)—R.H.....	..	1	1
186	582208-2	Wing tip bow—(Drilled for lights)—L.H.....	1	..	1
187	582208-3	Wing tip bow—(Drilled for lights)—R.H.....	..	1	1
188	58834-10	Grimes Model E position light—(15 c.p.)—L.H.....	1	..	1

SILVAIRE AIRCRAFT COMPANY, FORT COLLINS, COLORADO

ALL METAL WING — MODEL 8A — (Continued)

Ref. No.	Part No.	Description	Required Per Wing		
			Left	Right	Total
188A	58834-12	Grimes Model E position light—(15 c.p.)—R.H.....	..	1	1
189	68A3-62	Anchor Nut.....	3	3	6
190	082202	Front main spar assembly—L.H..... (Assembly includes the front main spar beam (drilled) and the following parts from Fig. No. 1: Part Reference Nos. 49 and 118)	1	..	1
191	082202-1	Front main wing spar assembly—R.H..... (Assembly includes the front main spar beam (drilled) and the following part from Fig. No. 1: Part Reference No. 49)	..	1	1
192	082201-68	Bottom No. 4 panel apron—rear outboard.....	1	1	2
193	AN365-624	Nut.....	1	1	2
194	AN960-616	Washer.....	1	1	2
195	18291	Universal—lower end lift strut.....	1	1	2
196	AN6-46A	Bolt.....	1	1	2
	082201-94	Metal Wing Assembly—8A—Complete with Cables; less Aileron, Fairings and Navigation Light—L.H.....	1	..	1
	082201-95	Metal Wing Assembly—8A—Complete with Cables; less Aileron, Fairings and Navigation Light—R.H.....	..	1	1
	082201-S.O. 94	Metal Wing Assembly—Complete with Metal Wing Tank, Cables; less Aileron, Fairings and Navigation Light—L.H.	1	..	1
	082201-S.O. 95	Metal Wing Assembly—Complete with Metal Wing Tank, Cables; less Aileron, Fairings and Navigation Light—R.H.	..	1	1
	082201-88	Metal Wing Assembly—8E—Complete with Wing Tank, Landing Light, Navigation Light, Cables; less Aileron, Fairings—L.H.	1	..	1
	082201-89	Metal Wing Assembly—8E—Complete with Wing Tank, Landing Light, Navigation Light, Cables; less Aileron, Fairings—R.H.	..	1	1
	582206-96	Metal Wing Tip Assembly—L.H.....	1	..	1
	582206-97	Metal Wing Tip Assembly—R.H.....	..	1	1

(Note: 582206—96 and—97 Assembly includes the Front and Rear Wing Tip Spars, Top and Bottom Outboard Tip Panel Assembly, Tip Leading Edge Assembly, Wing Tip Bow Landing Light Cover Plate, Inspection Plates.)

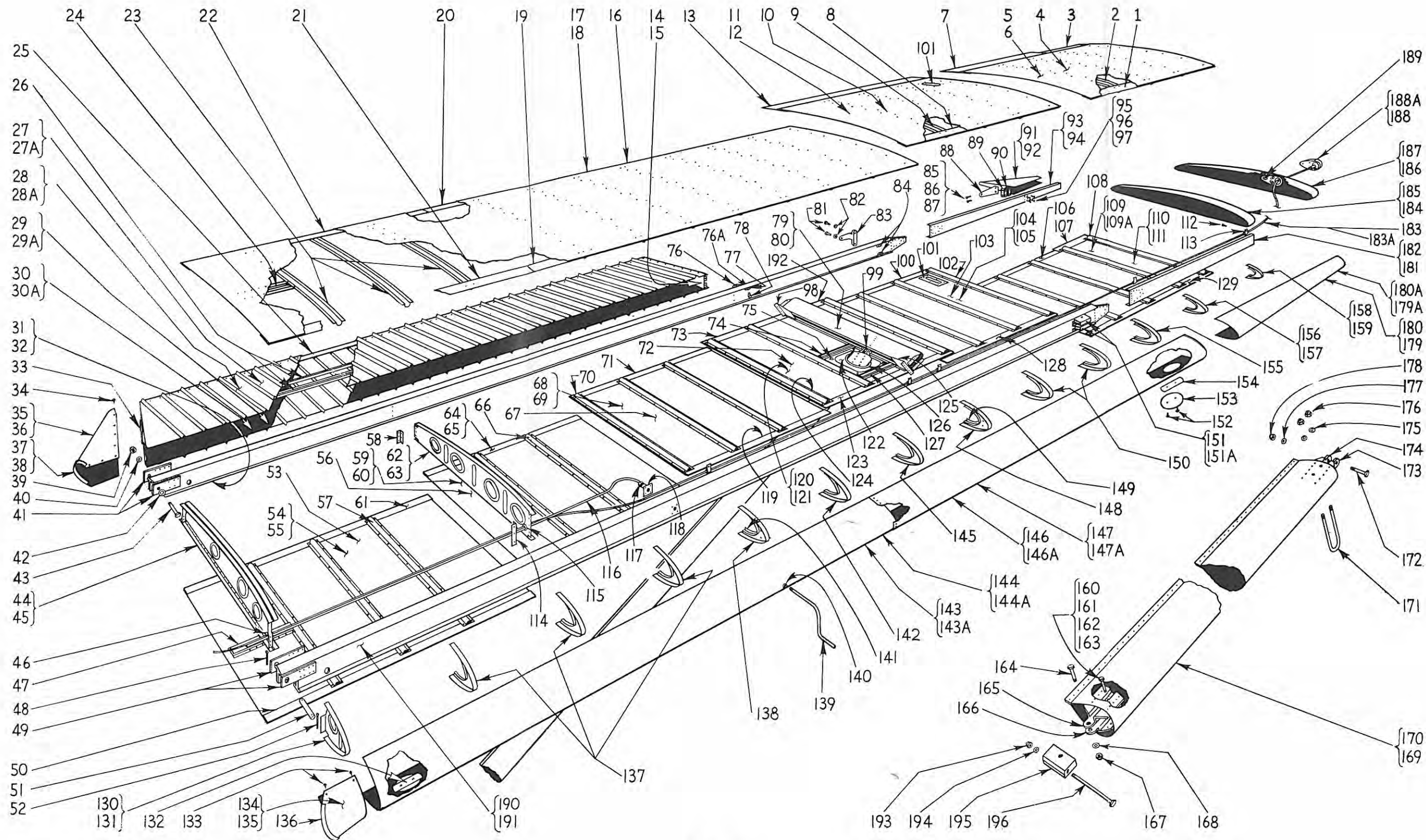


FIGURE I
ALL METAL WING — MODEL 8A

LANDING GEAR ASSEMBLY—No. 08311

FIGURE No. 2

Ref. No.	Part No.	Description	Parts Required		
			Left	Right	Total
1	48378	Upper Arm—R.H.....	..	1	1
2	58379	Upper Arm—L.H.....	1	..	1
3	#1652	Alemite Grease Fitting.....	..	1	1
4	18381-2	Hinge Pin.....	..	1	1
5	AN380-4-6	Cotter Pin.....	..	1	1
6	18315	Shackle—L.G.....	..	1	1
7	AN6-46	Bolt.....	..	1	1
8	AN310-6	Nut.....	..	1	1
9	AN320-3-3	Cotter Pin.....	..	1	1
10	AN960-616	Washer.....	..	1	1
11	AN315-5R	Plain Aircraft Nut.....	..	2	2
12	08311-2	AN5-30 Bolt.....	..	1	1
13		.040 Brass Safety Wire.....	1	1	2
14	AN5-30	Bolt.....	..	1	1
15	AN960-516	Washer.....	..	1	1
16	AN365-524	Nut.....	..	1	1
17	58383-1	Lower Leg—R.H.....	..	1	1
18	28309	Oleo Assembly.....	1
19	28309-2	Oleo Spring.....	1
20	28308-500	Collor—Piston Tube Assembly.....	1
21	18329-2	Packing Nut.....	1
22	Garlock #431	Packing.....	1
23	18329-3	Gland.....	1
24	AN365-524	Nut.....	1
25	AN960-516	Washer.....	2
26	AN5-21A	Bolt.....	1
27	18330	Oil Level Gauge.....	1
28	28308	Piston Tube Assembly—Oleo.....	1
29	28307	Cylinder Assembly—Oleo.....	1
30	AN6-43	Bolt.....	1
31	AN960-616	Washer.....	1
32	AN310-6	Nut.....	1
33	AN380-3-3	Cotter Pin.....	1
34	AN380-4-8	Cotter Pin.....	..	1	1
35	18382	Axle Nut.....	1	1	2
36S	583106-2	Collar Assembly—Shinn.....	1	..	1
37S	583106-3	Collar Assembly—Shinn.....	..	1	1
36G	583106-4	Collar Assembly—Goodyear.....	1	..	1
37G	583106-5	Collar Assembly—Goodyear.....	..	1	1

SILVAIRE AIRCRAFT COMPANY, FORT COLLINS, COLORADO

LANDING GEAR ASSEMBLY — No. 08311 — (Continued)

Ref. No.	Part No.	Description	Parts Required		
			Left	Right	Total
36C	583106-6	Collar Assembly—Cleveland.....	1	..	1
37C	583106-6	Collar Assembly—Cleveland.....	..	1	1
38	AN365-428	Nut.....	1	1	2
39	AN210-1	Pulley.....	1	1	2
39A	AN211-1	Bushing.....	1	1	2
40	AN960-416	Washer.....	2	2	4
41	18374	Pulley Guard—L.G. Brake Cable.....	1	1	2
42	AN4-24	Bolt.....	1	1	2
43	AN501-416-8	Screw (Drilled Head).....	2	2	4
44	AN960-416	Washer.....	2	2	4
45	18343-2	Washer.....	2	2	4
46		.040 Brass Safety Wire.....	2	2	4
47S	28356-4	Collar Assembly—Shinn Wheel Pants.....	1	..	1
48S	28356-5	Collar Assembly—Shinn Wheel Pants.....	..	1	1
47C	28356-6	Collar Assembly—Cleveland Wheel Pants.....	1	..	1
48C	28356-7	Collar Assembly—Cleveland Wheel Pants.....	..	1	1
49	AN510-10-6	Screws.....	7	7	14
50	AN345-10	Nuts.....	7	7	14
51	AN380-4-8	Cotter Pin.....	1	..	1
52	18344	Axle Nut—(For Wheel Pants Installation).....	1	1	2
53	18354	Deluxe Wheel Pants—L.H.....	1	..	1
54	18354-1	Deluxe Wheel Pants—R.H.....	..	1	1
55	AN526-438-16	Screw.....	1	1	2
56	18343-2	Washer—Wheel Fairing.....	1	1	2
57	18343-3	Washer—Wheel Fairing.....	1	1	2
58	18341-3	Reinf. Wheel Fairing.....	1	1	2
59	28357	Reinf. Wheel Fairing.....	1	..	1
60	28357-1	Reinf. Wheel Fairing.....	..	1	1
61	48355	Baffle Plate.....	1	1	2
62	AN520-6R6	Phillips Machine Screw.....	2	2	4
63	AN960-6	Washer.....	2	2	4
64	AN365-632	Nut.....	2	2	4
65	48321	Fairing, Landing Gear—L.H.....	1	..	1
66	48321-1	Fairing, Landing Gear—R.H.....	..	1	1
67	AN515-6-40	Screw.....	1	1	2
68	AN960-6	Washer.....	2	2	4
69	AN935-6	Lock Washer.....	1	1	2
70	AN340-6	Nut.....	1	1	2
71	AN515-6-6	Screw.....	8	8	16
72	AN960-6	Washer.....	16	16	32
73	AN935-6	Lock Washer.....	8	8	16

SILVAIRE AIRCRAFT COMPANY, FORT COLLINS, COLORADO

LANDING GEAR ASSEMBLY — No. 08311 — (Continued)

Ref. No.	Part No.	Description	Parts Required		
			Left	Right	Total
74	AN340-6	Nut.....	8	8	16
75	AN515-6-32	Screws.....	1	1	2
76	AN960-6	Washer.....	2	2	4
77	AN935-6	Lock Washer.....	1	1	2
78	AN340-6	Nut.....	1	1	2
79	AN515-6-40	Screw.....	1	1	2
80	AN960-6	Washer.....	2	2	4
81	AN935-6	Lock Washer.....	1	1	2
82	AN340-6	Nut.....	1	1	2
83	48321-2	Block—Fairing.....	1	1	2
84	48350	Jack Strut—L.H.....	1	..	1
85	AN5-17	Bolt.....	1	1	2
86	AN960-516	Washer.....	1	1	2
87	AN310-5	Nut.....	1	1	2
88	AN380-2-3	Cotter Pin.....	1	1	2
89	AN6-46	Bolt.....	1	..	1
90	#1652	Alemite Grease Fitting.....	1	..	1
91	18380-2	Bushing—Landing Gear—L.H.....	1	..	1
92	AN960-616	Washer.....	1	..	1
93	AN310-6	Nut.....	1	..	1
94	AN380-3-3	Cotter Pin.....	1	..	1
95	08311-2	AN5-30 Bolt.....	1	..	1
96	AN315-5R	Plain Aircraft Nut.....	2	..	2
97	AN5-20	Bolt.....	1	..	1
98	AN960-516	Washer.....	1	..	1
99	AN310-5	Nut.....	1	..	1
100	08311-4	S-9 Fork End.....	1	1	2
101	AN315-5R	Plain Nut.....	2	..	2
102	AN4-10	Bolt.....	1	1	2
103	AN960-416	Washer.....	1	1	2
104	AN365-428	Nut.....	1	1	2
105	AN5-21	Bolt.....	1	1	2
106	AN960-516	Washer.....	1	1	2
107	AN365-524	Nut.....	1	1	2
108	18313-100 & -200	TIE ROD ASSEMBLY—L.H./R.H.....	1	1	2
108	AN677A-3375	Tie Rod.....	1	1	2
109	AN315-7R	Nut.....	1	1	2
110	AN315-7L	Nut.....	1	1	2
111	AN397-25	Clevis Pin.....	2	2	4
112	AN380-3-3	Cotter Pin.....	2	2	4
113	AN665-115L	Clevis Terminal.....	1	1	2

SILVAIRE AIRCRAFT COMPANY, FORT COLLINS, COLORADO

LANDING GEAR ASSEMBLY — No. 08311 — (Continued)

Ref. No.	Part No.	Description	Parts Required		
			Left	Right	Total
114	AN665-115R	Clevis Terminal.....	1	1	2
115	18313-2	Tie Rod Universal..... (Note: When AN677A-3375 tie rod is used on the aircraft, there must be a $\frac{1}{8}$ " diameter hole drilled in No. 18371 lug of the lower landing gear leg to accommodate AN397-25 clevis pin.)	1	1	2
108A	18381-1 & -2	ALTERNATE TIE ROD ASSEMBLY—L.H./R.H.....	1	1	2
108A	AN676-A-3625	Tie Rod.....	1	1	2
109A	AN315-6R	Nut.....	1	1	2
110A	AN315-6L	Nut.....	1	1	2
111A	AN396-21	Clevis Pin.....	2	2	4
112A	AN380-3-3	Cotter Pin.....	2	2	4
113A	AN665-80LA	Clevis Terminal.....	1	1	2
114A	AN665-80RA	Clevis Terminal.....	1	1	2
115A	18391	Tie Rod Universal.....	1	1	2
	E.O. 640-2	Bushing..... (Note: When AN676AC-3625 tie rod is used on the aircraft, there must be a $\frac{3}{8}$ " diameter hole drilled in No. 18371 lug of the lower leg. If a $\frac{1}{8}$ " hole is already in the lug, a bushing E. O. 640-2 is required to accommodate AN396-21 clevis pin.)	1	1	2
108B	28367	ALTERNATE TIE ROD—L.H./R.H.....	1	1	2
109B	AN6-11	Bolt.....	1	1	2
110B	AN960-616	Washer.....	1	1	2
111B	AN365-624	Nut.....	1	1	2
112B	AN960-616	Washer.....	1	1	2
113B	AN365-624	Nut.....	1	1	2
114B	18313-2	Universal.....	1	1	2
116	AN6-22	Bolt.....	1	1	2
117	AN960-616	Washer.....	1	1	2
118	AN365-624	Nut.....	1	1	2
119	AN6-23	Bolt.....	1
120	AN960-616	Washer.....	2
121	AN310-6	Nut.....	1
122	AN380-3-3	Cotter Pin.....	1
123	18380-3	Bushing—Landing Gear—R.H.....	..	1	1
124		.040 Brass Safety Wire.....	1
125	48333	Jack Strut—R.H.....	..	1	1
126	53383	Lower Leg—L.H.....	1	..	1
127	18324	Spacer (Goodyear wheel only).....	1	1	2
1 set		Landing Gear Bolts, Complete.....	1
1 set		L.G. Fairing Bolts and Nuts.....	1
1 pt.	Mobile Lube '90'	Oleo Fluid.....	1

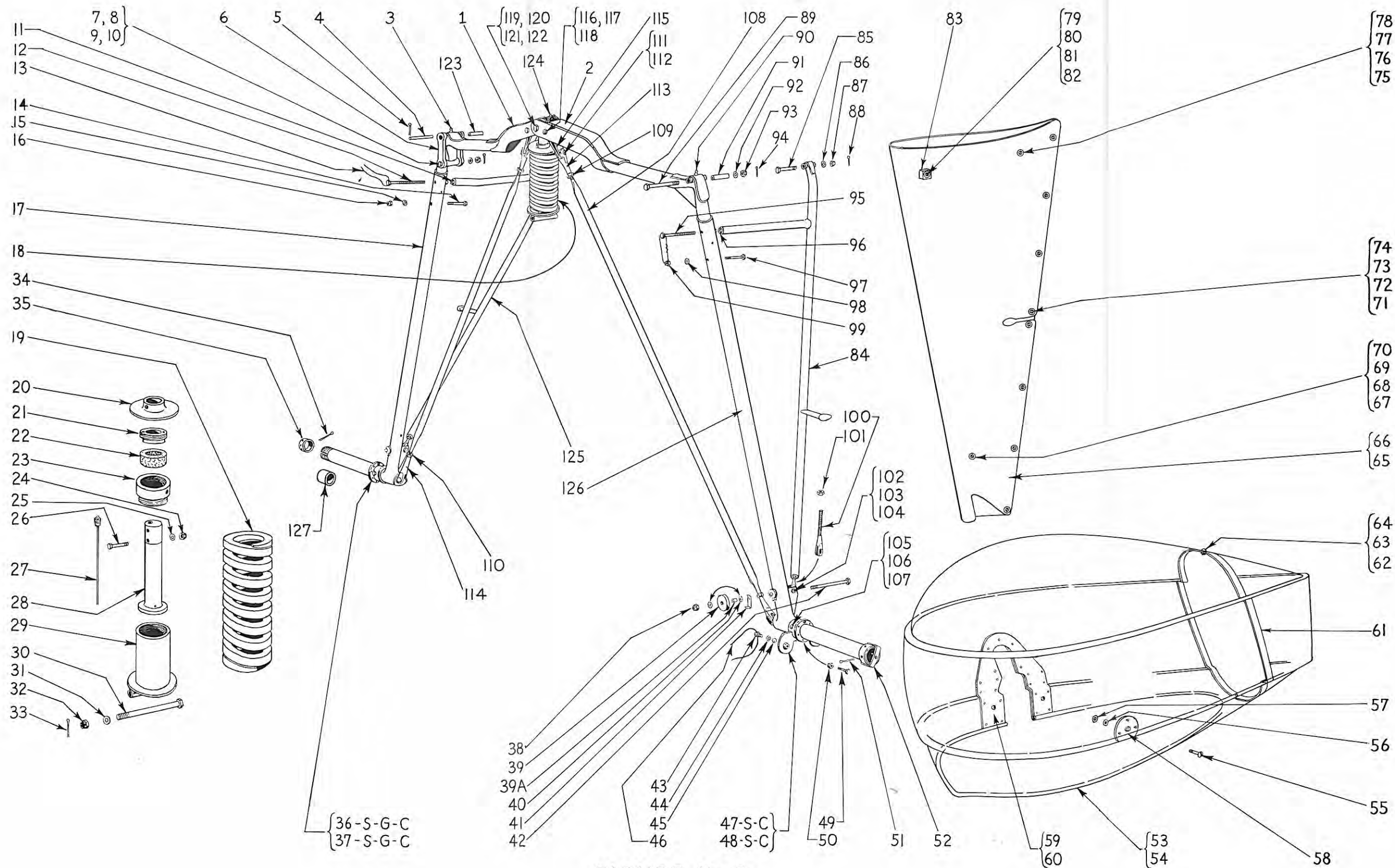


FIGURE No. 2
 LANDING GEAR—O8311

SILFLEX LANDING GEAR

FIGURE NO. 2A

Ref. No.	Part No.	Description	Parts Required		
			Left	Right	Total
1	583146-1	Jack Strut.....	..	1	1
2	083119-2	Landing Gear Main Leg.....	..	1	1
3	483106-6	Collar (For Cleveland Brake).....	1	..	1
4	483106-7	Collar (For Cleveland Brake).....	..	1	1
5	AN380-4-8	Cotter Pin.....	..	1	1
6	18382	Axle Nut.....	1	1	2
7	183103	Spacer (Cleveland Wheel).....	1	1	2
8	283114	Plate Assembly.....	1
9	AN6227-25	Packing Ring.....	1
10	283113	Retainer.....	1
11	AN365-524	Nut.....	1
12	AN960-516	Washer.....	1
13	283110	Rod Assembly.....	1
14	AN5-21A	Bolt.....	1
15	183130	Gauge.....	1
16	283115	Cylinder.....	1
17	AN6-43	Bolt.....	1
18	AN960-616	Washer.....	1
19	AN310-6	Nut.....	1
20	AN380-3-3	Cotter Pin.....	1
21	AN6-27	Bolt.....	1
22	AN960-616	Washer.....	1
23	AN310-6	Nut.....	1
24	AN380-3-3	Cotter Pin.....	1
25	AN6-46	Bolt.....	1	1	2
26	AN380-2	Bushing.....	1	1	2
27	AN960-616	Washer.....	1	1	2
28	AN365-624	Nut.....	1	1	2
29	AN365-428	Nut.....	1	1	2
30	AN960-416	Washer.....	2	2	4
31	A-167	Pulley.....	1	1	2
32		Pulley Bushing.....	1	1	2
33	18374	Pulley Guard.....	1	1	2
34	AN4-24	Bolt.....	1	1	2
35	AN501-416-8	Screw.....	2	2	4
36	AN960-416	Washer.....	2	2	4
37	AN960-416	Washer.....	2	2	4
38		.040 Brass Safety Wire.....	1	1	2
39	28356-6	Fitting.....	1	..	1
40	28356-7	Fitting.....	..	1	1
41	AN4-5	Bolt.....	4	4	8
42	AN365-428	Nut.....	4	4	8
43	AN380-4-8	Cotter Pin.....	1	..	1
44	18344	Axle Nut.....	1	1	2

SILFLEX LANDING GEAR

FIGURE NO. 2A (Continued)

Ref. No.	Part No.	Description	Parts Required		
			Left	Right	Total
45	AN5-21	Bolt.....	1	1	2
46	AN960-516	Washer.....	1	1	2
47	AN365-524	Nut.....	1	1	2
48	AN4-20A	Bolt.....	1	1	2
49	AN960-416	Washer.....	1	1	2
50	AN365-428	Nut.....	1	1	2
51	583146-95	Jack Strut Adjuster.....	1	1	2
52	AN316-8R	Nut.....	1	1	2
53	583146	Jack Strut.....	1	..	1
54	083119-2	Main Landing Gear.....	1	..	1
55	AN380-2-3	Cotter Pin.....	1	1	2
56	AN310-5	Nut.....	1	1	2
57	AN960-516	Washer.....	1	1	2
58	183131	Bushing.....	1	1	2
59	AN5-17	Bolt.....	1	1	2
60	AN380-3-3	Cotter Pin.....	1
61	AN310-6	Nut.....	1
62	AN960-616	Washer.....	1
63	AN6-27	Bolt.....	1
64	283118	Spring.....	1
65	483109	Oleo Assembly.....	1
66	083145-12	Reinforcement.....	1	..	1
67	083145-13	Reinforcement.....	..	1	1
68	083145-30	Fairing Assembly.....	1	..	1
69	083145-40	Fairing Assembly.....	..	1	1
70	083145-15	Outside Reinf.....	1	1	2
71	AN526-428-24	Screw.....	1	1	2
72	283137-2	Spacer.....	1	..	1
73	283137-2	Spacer.....	..	1	1
74	083145-14	Mud Guard.....	1	1	2
75	AN520-6-6	Screw.....	1	1	2
76	AN960-6	Washer.....	2	2	4
77	AN365-632	Nut.....	1	1	2
78	083140	Fairing.....	1	..	1
78A	083140-1	Fairing.....	..	1	1
79	AN515-6-6	Screw.....	7	7	14
80	AN960-6	Washer.....	14	14	28
81	AN935-6	Lock Washer.....	7	7	14
82	AN340-6	Nut.....	7	7	14
83	18341-2	Reinforcement.....	2	2	4
84	286003-4	Bolt.....	1	1	2
85	AN970-3	Washer.....	2	2	4
86	AN935-6L	Lock Washer.....	1	1	2
87	AN364-632	Nut.....	1	1	2

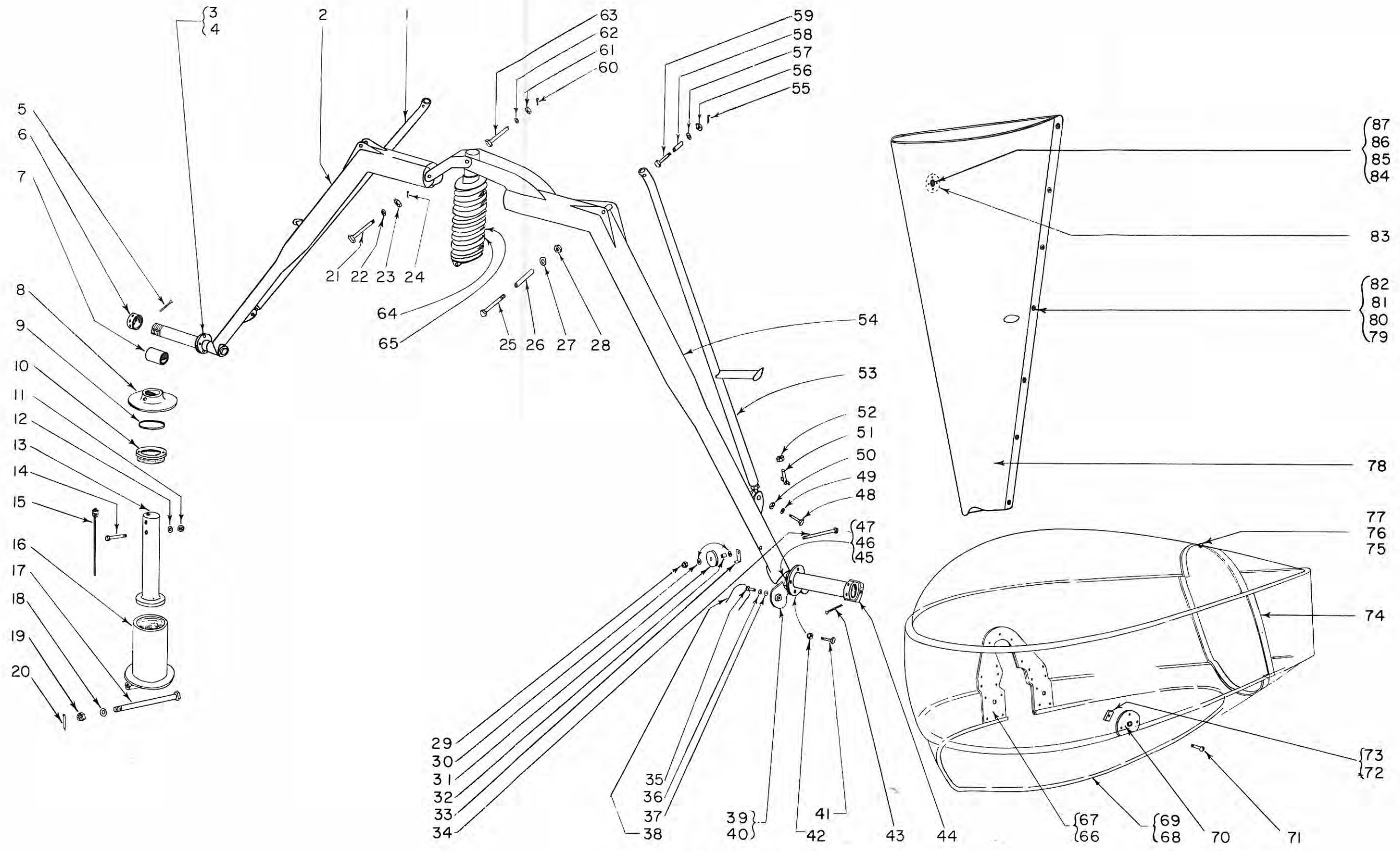


FIGURE No. 2A
SILFLEX LANDING GEAR

FUSELAGE SECTION — STATION No. 1 TO No. 2

FIGURE No. 3

Ref. No.	Part No.	Description	Parts Required		
			Left	Right	Total
1	081105-4	X-200 Rubber Channel (Feet Required 2).....	1	..	1
2	081105-2	Windshield (ONLY).....	1
3	081105-3	X-200 Rubber Channel (Feet Required 3).....	1
4	081105-4	X-200 Rubber Channel (Feet Required 2).....	..	1	1
5	H-2-80	Cabin Snap Vent.....	..	1	1
6	08043-16	No. 2 Top Side Skin—R.H.....	..	1	1
7	081105-7	Windshield Side Retainer.....	..	1	1
8	08043-61	No. 1 Top Skin —R.H.....	..	1	1
9	081105-11	Bottom Windshield Strip—R.H.....	..	1	1
10	581223-10	Superstructure Vee.....	1
11	#6 x 3/8"	Screw—Parker Kalon.....	17
12	AN960-6L	Washer.....	17
13	AN365-632	Nut.....	17
14	181072-2	Firewall Fitting Plate.....	1
15	281028	Firewall Fitting—Top.....	1
16	181025	Firewall Reinforcement Plate.....	1
17	181072-2	Firewall Fitting Plate.....	1
18	28119-3	Washer (Top—Engine Mount).....	1
19	48147	Engine Motor Mount (See Fig. No. 23).....
20	28119-4	Washer (Top—Engine Mount).....	1
21	AN380-2-2	Cotter Pin.....	1
22	AN310-5	Nut.....	1
23	481116	Firewall Cover Plate (Shown).....	1
24	281049	Firewall Cover Plate (Not Shown).....	1
25	081160	Firewall Assembly (Shown)..... (Assembly includes the following parts from Fig. No. 3: Parts Reference Nos. 14, 15, 16, 17, 26, 34, 35, 36, 38, 39, 40.)	1
26	581158	Recess—Firewall.....	1
27	081159	Firewall Assembly (Not Shown) Without Recess..... (Interchangeable with Part No. 081113.)	1
28	081113-2	Firewall Stamping Only (Shown).....
29	581020-2	Firewall Stamping Only (Not Shown).....
30	081159-2	Firewall Stamping Only (Not Shown).....
31	AN930-3-9	Rubber Grommet.....	2
32	AN931-8-31	Rubber Grommet.....	2
33	AN931-4-7	Rubber Grommet.....	2
34	181072-3	Firewall Fitting Plate.....	..	1	1
35	281023	Bottom Plate Firewall Reinforcement.....	..	1	1
36	181043	Bottom Firewall Stiffener.....	1

SILVAIRE AIRCRAFT COMPANY, FORT COLLINS, COLORADO

FUSELAGE SECTION — STATION No. 1 TO No. 2 — (Continued)

Ref. No.	Part No.	Description	Parts Required		
			Left	Right	Total
37	AN930-5-9	Rubber Grommet.....	1
38	281023	Bottom Plate Firewall Reinforcement.....	1	..	1
39	181072-3	Firewall Fitting Plate.....	1	..	1
40	181029	Firewall Fitting Reinforcement.....	1	1	2
41	281039	Throttle Stiffener.....	1
42	08043-13	No. 1 Bottom Skin—R.H.....	..	1	1
43	AN5-36	Bolt.....	1
44	08043-33	Tie Plate—No. 1 Top Skins.....	1
45	081038-3	Micarta Filler Block.....	1
46	08043-60	No. 1 Top Skin—L.H.....	1	..	1
47	281141	Stiffener—Instrument Panel.....	1
48	08043-12	No. 1 Bottom Skin—L.H.....	1	..	1
49	185011	Bracket—Parking Brake.....	1	..	1
50	081030-102	Instrument Panel—Stamping.....
51	18071-2	Lower Door Hinge—L.H.....	1	..	1
52	18071-3	Lower Door Hinge—R.H.....	..	1	1
53	481082-4	Bulkhead Stiffener—R.H.....	..	1	1
54	481082-1	Bulkhead Stiffener—R.H.....	..	1	1
55	481082-6	Bulkhead Stiffener—R.H.....	..	1	1
56	481082-7	Bulkhead Angle.....	..	1	1
57	481082-8	Bulkhead Channel.....	1
58	18074	Oleo Fitting.....	1
59	481082-5	Bulkhead Stiffener—L.H.....	1	..	1
60	AN3-5A	Bolt—(Inboard and Outboard—L.H./R.H.).....	2	2	4
61	AN960-10	Washer—(Inboard and Outboard—L.H./R.H.).....	2	2	4
62	AN365-1032	Nut—(Inboard and Outboard—L.H./R.H.).....	2	2	4
63	481082-3	Bulkhead Stiffener—L.H.....	1	..	1
64	491082-7	Bulkhead Stiffener—L.H.....	1	..	1
65	481082-9	Bulkhead Shim.....	1	1	2
66	481082-2	Bulkhead Stiffener—L.H.....	1	..	1
67	18034	Retainer.....	1	1	2
68	19551	No. 2 Blkd. Aileron Pulley Bracket—L.H.....	1	..	1
69	{28027 28027-10	Wing Strut—Landing Gear Fitting—L.H..... Use With Silflex Landing Gear.....	1 1	..	1 1
70	58028	No. 2 Blkd. Upright—L.H.....	1	..	1
71	081105-13	Windshield Clip.....	1	..	1
72	#6x 3/8"	Screw.....	1	..	1
73	AN960-6L	Washer.....	1	..	1
74	AN365-632	Nut.....	1	..	1
75	281142	Upholstery Attachment Channel—L.H.....	1	..	1
76	28048	Fuselage Reinforcement Channel—L.H.....	1	..	1
77	{28025 28027-10	Wing Strut—Landing Gear Fitting—R.H..... Use With Silflex Landing Gear.....	1 1	1 1

SILVAIRE AIRCRAFT COMPANY, FORT COLLINS, COLORADO

FUSELAGE SECTION—STATION No. 1 TO No. 2—(Continued)

Ref. No.	Part No.	Description	Parts Required		
			Left	Right	Total
78	48105	Gusset—No. 1 Bottom Skin—L.H.	1	..	1
79	H-2-80	Cabin Snap Vent	1	..	1
80	58028-1	No. 2 Blkd. Upright—R.H.	..	1	1
81	18046	Gusset—Fuselage Reinforcement—L.H./R.H.	1	1	2
82	48105-1	Gusset—No. 1 Bottom Skin—R.H.	..	1	1
83	19551-1	No. 2 Blkd. Aileron Pulley Bracket—R.H.	..	1	1
84	58075	No. 2 Front Bulkhead Assembly (Assembly includes the following parts from Fig. 3: Parts Reference Nos. 53, 54, 55, 56, 57, 58, 59, 60, 61, 62, 63, 64, 65, 66, 67, 69, 70, 77, 80, 83, 85.)	1
85	081156	No. 2 Front Bulkhead Stamping—Only	1
86	08043-59	No. 2 Side Skin—L.H.	1	..	1
87	081105-7	Retainer—Windshield Side—L.H.	1	..	1
88	28048-1	Fuselage Reinf. Channel—R.H.	..	1	1
89	281142-1	Upholstrey Attachment Channel—R.H.	..	1	1
90	081105-13	Windshield Clip	..	1	1
91	#6x $\frac{3}{8}$ "	Screw—Parker Kalon	..	1	1
92	AN960-6L	Washer	..	1	1
93	AN365-632	Nut	1
94	$\frac{3}{4}$ " Okonite	Rubber Tape
95	081105-9	Bottom Windshield Strip—L.H.	1	..	1
	08043-91	Fuselage Nose Section Assembly (Assembly includes the following parts from Figure No. 3: Parts Reference Nos. 6, 8, 9, 25, 42, 44, 45, 46, 47, 48, 49, 50, 51, 52, 70, 75, 76, 78, 80, 81, 82, 84, 86, 88, 89, 95.)	1
	08043-90	Complete Fuselage Assembly—8A
	08043-9099	Complete Fuselage Assembly—8E (Fuselage Assembly includes Superstructure Vee, Seat Bottom Installed, Glove Compartment Doors and Main Structural Body less Doors, Windshield, Landing Gear, Controls, Upholstery.)

STATION NO. 1 TO 100

Station No.	Description	Depth
1
2
3
4
5
6
7
8
9
10
11
12
13
14
15
16
17
18
19
20
21
22
23
24
25
26
27
28
29
30
31
32
33
34
35
36
37
38
39
40
41
42
43
44
45
46
47
48
49
50
51
52
53
54
55
56
57
58
59
60
61
62
63
64
65
66
67
68
69
70
71
72
73
74
75
76
77
78
79
80
81
82
83
84
85
86
87
88
89
90
91
92
93
94
95
96
97
98
99
100

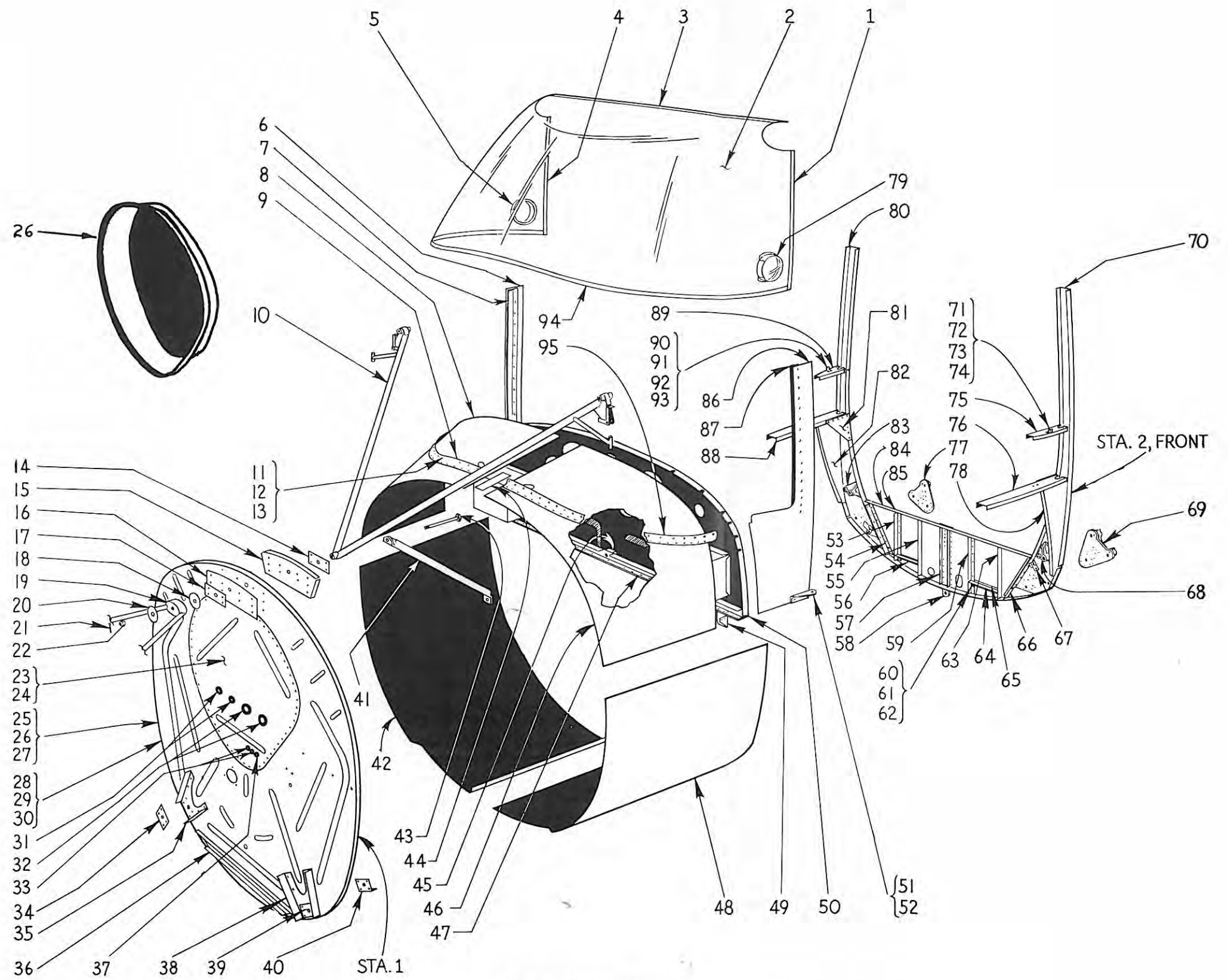


FIGURE No. 3
 FUSELAGE—STATION 1 TO STATION 2, FRONT—MODEL 8A

FUSELAGE SECTION—STATION No. 2 TO No. 3

FIGURE No. 4

Ref. No.	Part No.	Description	Parts Required		
			Left	Right	Total
1	59090	Seat Bottom Assembly..... (Assembly includes the following Parts from Figure No. 4: Part Reference Nos. 2, 3, 52 and 55.)	1
2	59090-2	Seat Bottom.....	1
3	59090-3	Seat Bottom Reinf. Stiffener.....	1
4	181078-1	Anchor—Seat Belt—R.H.....	..	1	1
5	59090-4	Reinf. Plate—Jack Strut Fitting.....	..	1	1
6	281013-1	Seat Stiffener—Door Sill—R.H.....	..	1	1
7	28036	Oleo Cover Plate—No. 2 Bulkhead.....	1
8	281013	Seat Stiffener—Door Sill—L.H.....	1	..	1
9	58086-3	Stiffener—Door Sill—R.H.....	..	1	1
10	38008	No. 2.5 Bulkhead Assembly..... (Assembly includes the following parts from Figure No. 4: Part Reference Nos. 11, 12, 13, 35, 37 and 41.)	1
11	38008-2	No. 2.5 Bulkhead Stamping.....	1
12	28116-1	Reinf. Flange—Bulkhead No. 2.5—R.H.....	..	1	1
13	28103-1	Fitting—Bulkhead No. 2.5—R.H.....	..	1	1
14	58086-7	Stiffener—No. 2 Bottom Skin—R.H.....	..	1	1
15	481082-10	Stiffener—No. 2 Bulkhead Rear—R.H.....	..	1	1
16	481082-2	Stiffener—No. 2 Bulkhead Rear—R.H.....	..	1	1
17	08043-11	No. 2 Bottom Skin—R.H.....	..	1	1
18	{28025-1 28027-10	Landing Gear Fitting—Casting—R.H..... Use with Silflex Gear.....	..	1	1
19	{38104-2 38104-3	Strip Skin—Bottom No. 2 Bulkhead—2-Piece Gear..... For Silflex Gear.....	1
20	58076	No. 2 Bulkhead Assembly—Rear..... (Assembly includes the following parts from Figure No. 4: Part Reference Nos. 15, 16, 18, 21, 22, 23, 24, 25, 27, 28, and 29.)	1
21	081157	No. 2 Bulkhead Stamping—Rear.....	1
22	481082-11	Stiffener—No. 2 Bulkhead Rear—R.H.....	..	1	1
23	18546	Elevator Bellerank Bracket.....	2
24	481082-8	Stiffener—No. 2 Bulkhead Rear—Center.....	1
25	18074	Oleo Fitting Assembly.....	1
26	18089	Oleo Reinf. Patch.....	1
27	481082-10	Stiffener—No. 2 Bulkhead Rear—L.H.....	1	..	1
28	481082-1	Stiffener—No. 2 Bulkhead Rear—L.H.....	1	..	1
29	{28027 28027-10	Landing Gear Fitting—Casting—L.H..... Use with Silflex Landing Gear.....	1	..	1
30	58086-7	Stiffener—No. 2 Bottom Skin—L.H.....	1	..	1
31	08043-10	No. 2 Bottom Skin—L.H.....	1	..	1
32	08043-14	Reinf. Patch—Jack Strut—L.H.....	1	..	1
33	08043-14	Reinf. Patch—Jack Strut—R.H.....	..	1	1
34	48086-7	Stiffener—No. 2 Bottom Skin—Center.....	1

SILVAIRE AIRCRAFT COMPANY, FORT COLLINS, COLORADO

FUSELAGE SECTION — STATION No. 2 TO No. 3 — (Continued)

Ref. No.	Part No.	Description	Parts Required		
			Left	Right	Total
35	28103	Fitting—Bulkhead No. 2.5—L.H.	1	..	1
36	58086-2	Stiffener—Door Sill—L.H.	1	..	1
37	28116	Reinf. Flange—Bulkhead No. 2.5—L.H.	1	..	1
38	58086-17	Support Angle—Rear Seat Bottom	1
39	58003-5	Lower No. 3 Bulkhead Stamping	1
40	18060	Hinge Bracket—Seat Back	1	1	2
41	38008-3	Stiffener—No. 2.5 Bulkhead (Note: Eliminated by Bead.)	1
42	AN3-4A	Bolt	1
43	AN960-10	Washer	1
44	AN365-1032	Nut	1
45	181006	Attachment—Center Safety Belt	1
46	AN3-5A	Bolt	1
47	AN960-10	Washer	1
48	AN365-1032	Nut	1
49	28106-3	Reinf. Assembly Bracket—Jack Strut	1	1	2
50	28106-2	Reinf. Assembly Bracket Channel—Jack Strut	1	1	2
51	28106	Reinf. Assembly Jack Strut	1	1	2
52	59090-4	Reinf. Plate—Jack Strut Fitting	1	..	1
53	29093-3	Reinforcement—Seat Bottom—Front	1	1	2
54	181078	Anchor—Seat Belt—L.H.	1	..	1
55	29093-2	Reinforcement—Seat Bottom—Rear	1	1	2
56	185002	Tab Conduit Support (For Aircraft with Tab Installation.)	1
	08043-92	Fuselage Seat Bottom Section Assembly (Assembly includes the following parts from Figure No. 4: Parts Reference No. 1 to No. 41, inclusive, and the following parts from Figure No. 6; Parts Reference Nos. 11, 12, 19, 20, 22, 23 and 27.)	1
57	181214	Reinforcement	1	1	2

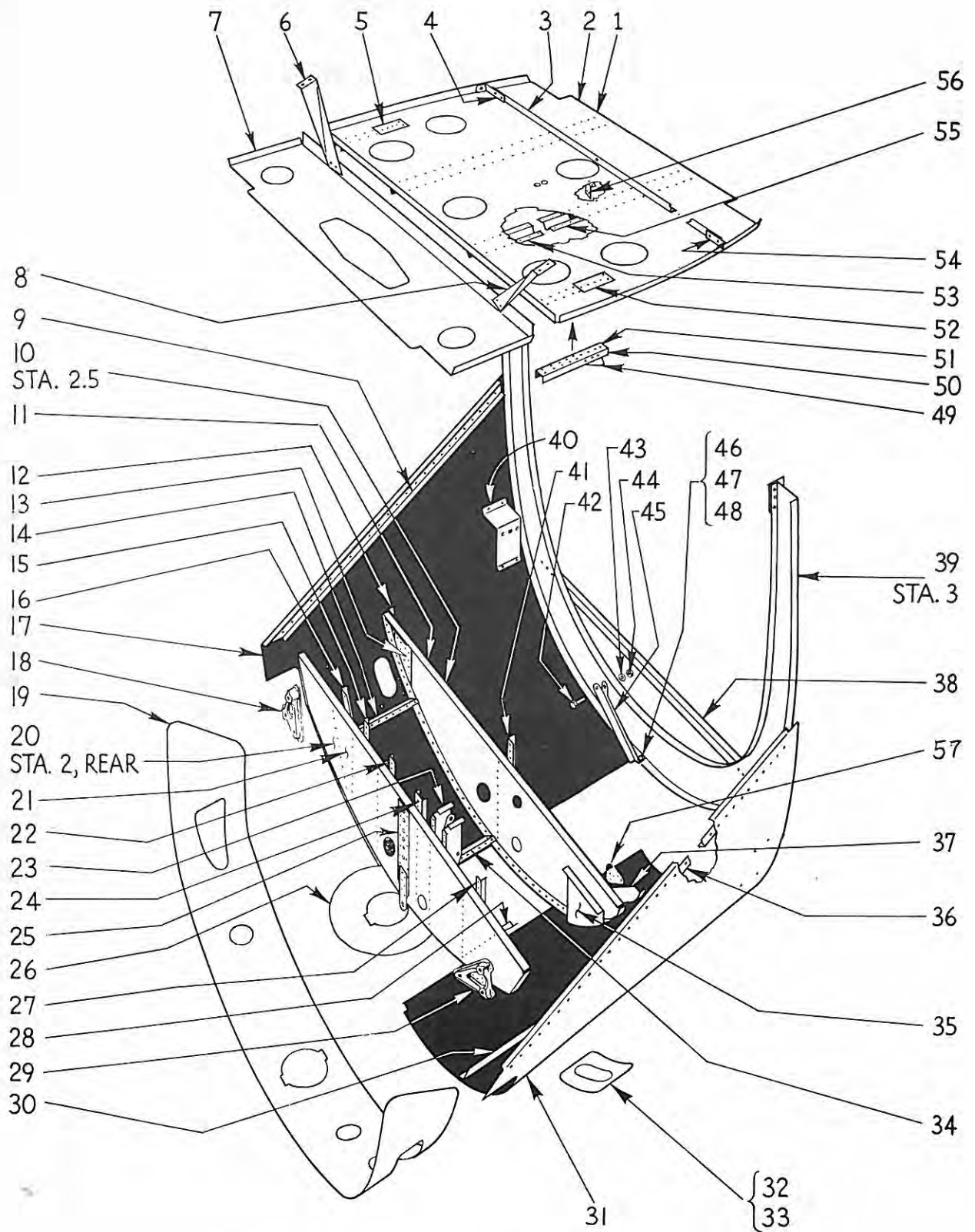


FIGURE No. 4
 FUSELAGE — STATION 2, REAR TO STATION 3

FUSELAGE — SUPERSTRUCTURE

FIGURE No. 5

Ref. No.	Part No.	Description	Parts Required		
			Left	Right	Total
1	08011-3	Superstructure Skin—Cabin Roof.....	1
1A	08011-8	Superstructure Skin—Cabin Roof—used on 8A Aircraft Serial No. 2428 and subs and 8E Aircraft Serial No. 423 and subs.)	1
2	081105-6	Retainer—Windshield.....	1
3	081105-14	Angle—Windshield.....	1
4	18026-1	Angle—Cabin Stay Rib—Rear—R.H.....	..	1	1
5	381019-1	Rib—Cabin Stay—R.H.....	..	1	1
6	18038	Angle—Cabin Stay Rib—Front—R.H.....	..	1	1
7	18037	Reinf. Plat—Cabin Superstructure.....	..	1	1
8	18016-2	Wing Hinge Fitting—Front.....	..	1	1
9	18030-1	Splice Plate—No. 2 Blkd. to Superstructure—R.H.....	..	1	1
10	AN4-22A	Bolt.....	..	1	1
11	AN960-416L	Washer.....	..	1	1
12	AN365-428	Nut.....	..	1	1
13	AN4-36A	Bolt.....	..	1	1
14	AN960-416	Washer.....	..	1	1
15	AN365-428	Nut.....	1
16	48020	Superstructure Vee.....	..	1	1
17	28018-2	Spar—Front Superstructure.....	1
17A	28018-00	Spar Assembly—Front Superstructure..... (Assembly includes the following parts from Figure No. 5: Part Reference Nos. 7, 8, 9, 10, 11, 12, 17, 18, 21, 22, 23, 25 and 26.)	1
18	18016-2	Wing Hinge Fitting—Front.....	1	..	1
19	AN4-34A	Bolt.....	1	..	1
20	581223-10	Superstructure Vee.....
21	AN4-22A	Bolt.....	1	..	1
22	18030	Splice Plate—No. 2 Blkd. to Superstructure—L.H.....	1	..	1
23	18037	Reinforcement Plate—Cabin Superstructure.....	1	..	1
24	18038	Angle—Cabin Stay Rib—Front—L.H.....	1	..	1
25	AN960-416	Washer.....	1	..	1
25A	AN960-416L	Washer (For Use With AN4-22A Bolts).....	1	..	1
26	AN365-428	Nut.....	2	..	2
27	381019	Rib—Cabin Stay—L.H.....	1	..	1
28	AN365-1032	Nut.....	2	..	2
29	AN960-10L	Washer.....	2	..	2
30	18026	Angle—Cabin Stay Rib—Rear.....	1	..	1
31	AN3-20A	Bolt.....	2	..	2
32	18016-3	Wing Hinge Fitting—Rear—L.H.....	1	..	1
33	28019-2	Spar—Rear Superstructure.....	1

SILVAIRE AIRCRAFT COMPANY, FORT COLLINS, COLORADO

FUSELAGE — SUPERSTRUCTURE — (Continued)

Ref. No.	Part No	Description	Parts Required		
			Left	Right	Total
33A	28019-00	Spar Assembly—Rear Superstructure..... (Assembly includes the following parts from Figure No. 5: Parts Reference Nos. 28, 29, 31, 32, 33, 34, 35, 36, 37.)	1
34	AN3-20	Bolt.....	..	2	2
35	AN960-10L	Washer.....	..	2	2
36	AN365-1032	Nut.....	..	2	2
37	18016-3	Wing Hinge Fitting—Rear—R.H.....	..	1	1
38	08011-2	Plexiglass Skylight.....	1
39	08011-4	Stiffener—Superstructure—L.H.....	1	..	1
40	08011-5	Stiffener—Superstructure—R.H.....	..	1	1
41	08011-00	Superstructure Assembly..... (Assembly includes the following parts from Figure No. 5: Parts Reference Nos. 1, 4, 5, 6, 7, 8, 9, 10, 11, 12, 17, 18, 21, 22, 23, 24, 25A, 26, 27, 28, 29, 30, 31, 33, 34, 35, 36, 37, 38, 39, 40.)	1
42	08043-93	Fuselage Superstructure Section Assembly—8A..... (Assembly includes the following parts from Figure No. 5: Parts Reference No. 41 and also the following parts from Fig. No. 6: Parts Reference Nos. 1, 2, 3, 4, 5, 6, 7, 10, 24, 28, 29, 30, 31.)	1
	08043-9399	Fuselage Superstructure Section Assembly—8E..... (Assembly includes the following parts from Figure No. 5: Parts Reference No. 41 and also the following parts from Fig. No. 7: Parts Reference Nos. 1, 2, 3, 4, 5, 6, 32, 33, 34, 35, 36.)	1
43	08011-6	Skylight Retainer—Used on 8A Aircraft Serial No. 2428 and subs and 8E Aircraft Serial No. 423 and subs.....	1
44	¼" Okonite	Rubber Tape.....	1

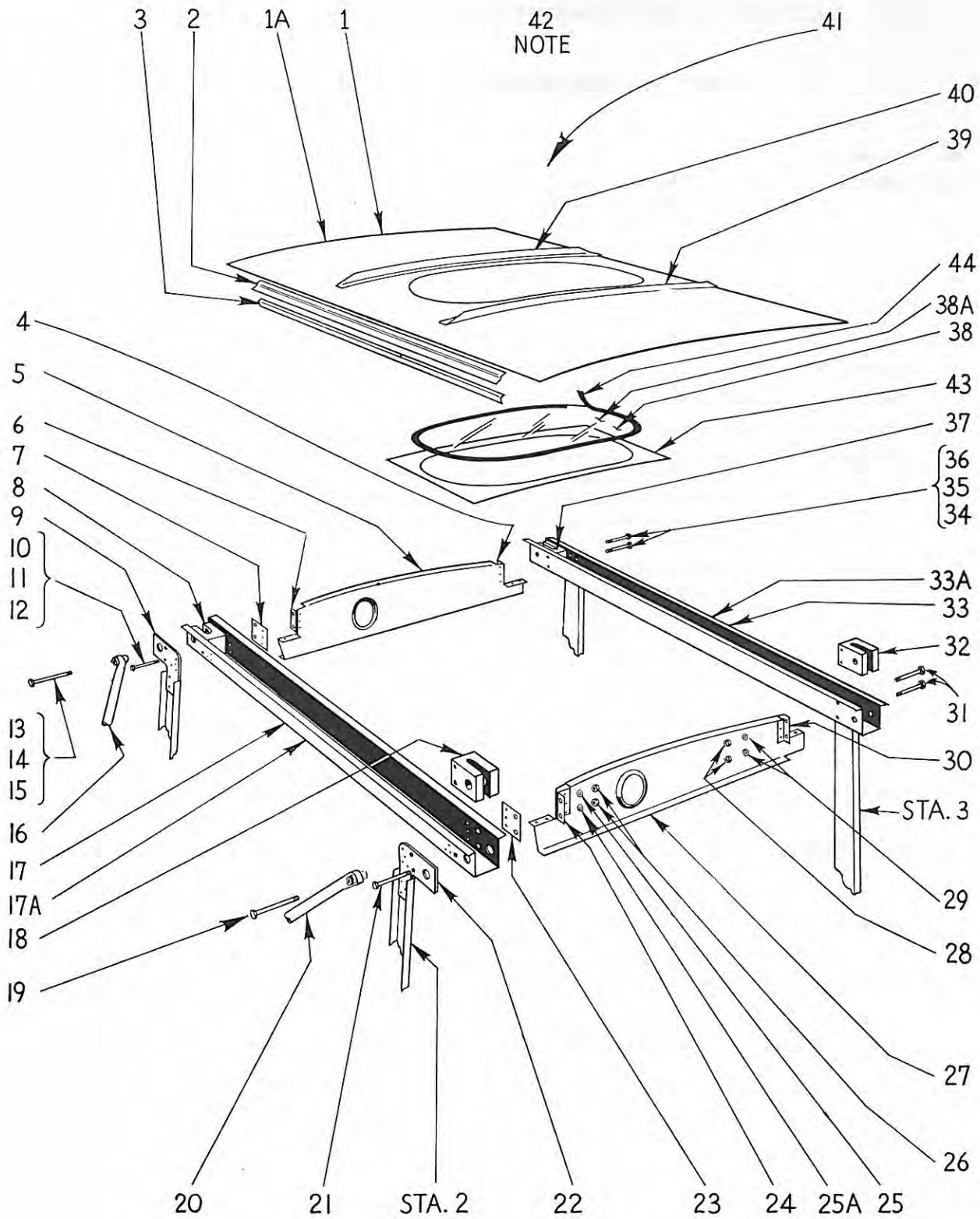


FIGURE No.5
FUSELAGE — SUPERSTRUCTURE

FUSELAGE SECTION—STATION No. 3 TO No. 4—MODEL 8A

FIGURE No. 6

Ref. No.	Part No	Description	Parts Required		
			Left	Right	Total
1	08043-52	Reinforcement Gusset—No. 3 Top Skin—L.H.....	1	..	1
2	08043-15	Reinforcement Gusset—No. 3 Top Skin—R.H.....	..	1	1
3	58086-8	Stiffener—No. 3 Top Skin—R.H.....	..	1	1
4	18117-1	Reinforcement Patch No. 3 Top Side Skin—R.H.....	..	1	1
5	58003-3	Channel Upright—No. 3 Bulkhead—R.H.....	..	1	1
6	58003-2	Channel Upright—No. 3 Bulkhead—L.H.....	1	..	1
7	08043-49	Stiffener—No. 3 Top Side Skin—R.H.....	..	1	1
8	58086-14	Stiffener (only)—Rear Top of Seat Back—No. 3.....	1
9	58086-4	Stiffener Assembly—Rear Top of Seat Back—No. 3..... (Assembly includes the following parts from Figure No. 6: Part Ref. Nos. 8, 13.)	1
10	08043-19	No. 3 Top Side Skin—R.H.....	..	1	1
11	58003-4	Splice Plate—No. 3 Bulkhead.....	1	1	2
12	08043-49	Stiffener—No. 3 Bottom Skin—R.H.....	..	1	1
13	58086-15	Angle	3
14	58086-13	Lower Baggage Comp. Support Angle.....	1
15	58003	No. 3 Bulkhead Assembly, Complete..... (Assembly includes the following parts from Figure No. 6: Part Ref. Nos. 5, 6, 11, 16.)	1
16	58003-5	Lower No. 3 Bulkhead Stamping.....	1
17	58086-17	Rear Seat Bottom Support Angle, only.....	1
18	58086-6	Rear Seat Bottom Support Angle Assembly.....	1
19	58086-16	Rudder Cable Fairlead.....	1
20	18532	Elevator Control Pulley Bracket Assembly.....	1
21	185010	Tab Control Conduit Support Angle..... (Ref. No. 21—Support used on Aircraft Serial No. 1934 to No. 3659.)	1
22	185055	Tab Control Conduit Support Angle..... (Ref. No. 22—Support used on Aircraft Serial No. 3660 and Subs.)	1
23	08043-49	Stiffener—No. 3 Bottom Skin—L.H.....	1	..	1
24	08043-49	Stiffener—No. 3 Top Skin—L.H.....	1	..	1
25	08043-28	Static Tube..... (Above—One piece line extending from Bldkhead No. 4 to front of Bulkhead No. 2.)	1	..	1
27	08043-51	No. 3 Bottom Skin—Shown..... (Ref. No. 27—Skin used on Aircraft Serial No. 1976 and Subs.)	1
	08043-7	No. 3 Bottom Skin—Not Shown..... (Above skin used on Aircraft Serial No. 800 to No. 1975 re- quiring 08043-20 long splice strip.)	1
28	08043-18	No. 3 Top Side Skin—L.H.....	1	..	1
29	18117	Reinf. Patch No. 3 Top Side Skin—L.H.....	1	..	1
30	48086-9	Stiffener—No. 3 Top Skin—L.H.....	1	..	1
31	08043-17	No. 3 Top Center Skin.....	1

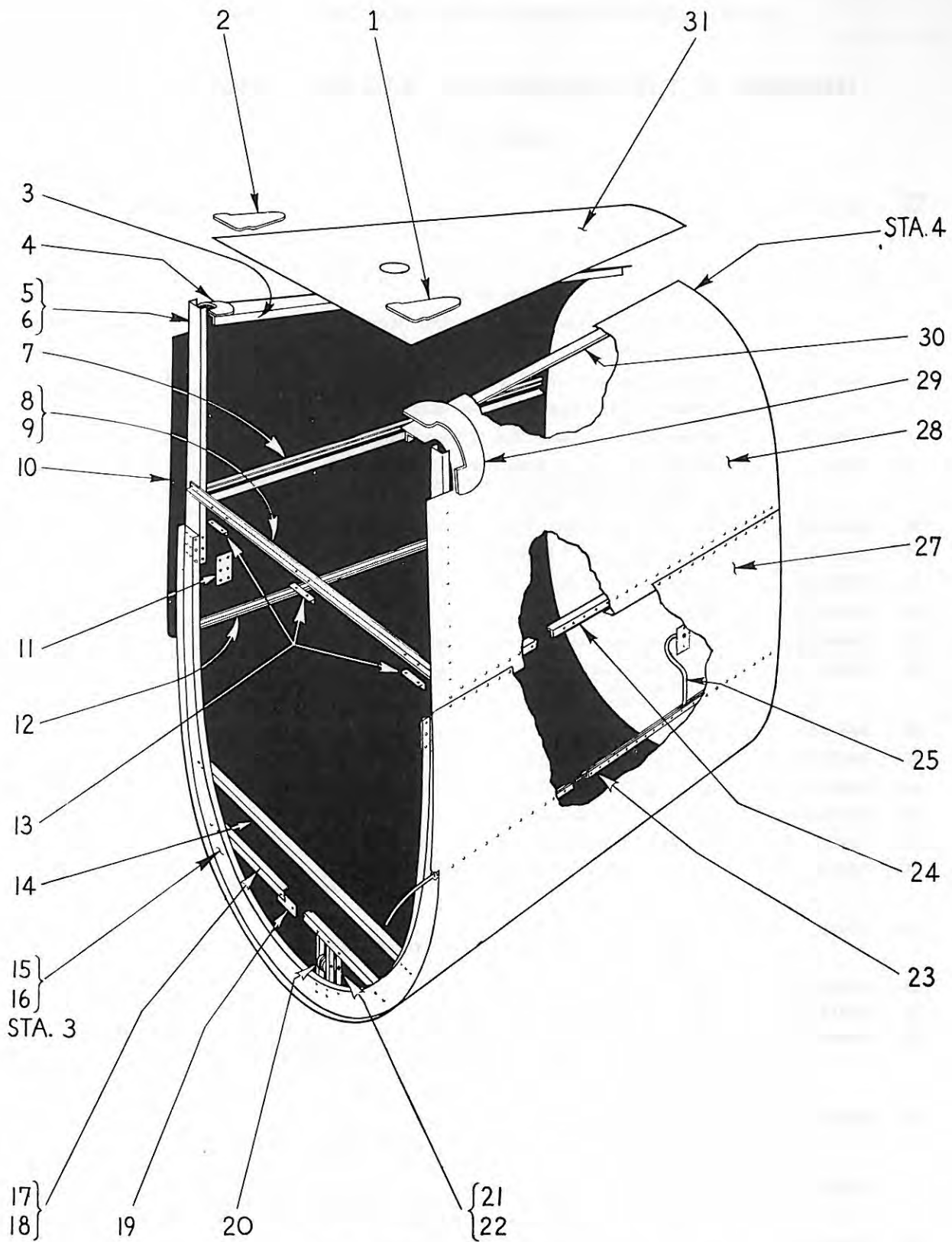


FIGURE No. 6
 FUSELAGE—STATIONS 3 TO 4—MODEL 8A

FUSELAGE—STATION No. 3 TO No. 4—MODEL 8E

FIGURE No. 7

Ref. No.	Part No.	Description	Parts Required		
			Left	Right	Total
1	08043-52	Reinf. Gusset—No. 3 Top Skin—L.H.	1	..	1
2	08043-15	Reinf. Gusset—No. 3 Top Skin—R.H.	..	1	1
3	58086-8	Stiffener—No. 3 Top Skin—R.H.	..	1	1
4	18117-1	Reinf. Patch—No. 3 Top Side Skin—R.H.	..	1	1
5	58003-3	Channel Upright—No. 3 Blkd.—R.H.	..	1	1
6	58003-2	Channel Upright—No. 3 Blkd.—L.H.	1	..	1
7	09003-4	Seal—Rear Side Window	..	1	1
8	19139	Window—Rear Side	..	1	1
9	49138-1	Retainer—Rear Side Window—R.H.	..	1	1
10	08043-55	No. 3 Top Side Skin—R.H.	..	1	1
11	58003-4	Splice Plate—No. 3 Blkd.	1	1	2
12	08043-51	No. 3 Bottom Skin	1
13	29097	Stiffener—No. 3 Bottom Skin—R.H.	..	1	1
14	59171-3	Support—Hat Throw	1
15	09165-4	Angle—Baggage Compartment	1
16	58003	No. 3 Bulkhead Assembly	1
17	58003-5	Lower No. 3 Bulkhead Stamping	1
18	58086-17	Rear Seat Bottom Support Angle, only	1
19	58086-6	Rear Seat Bottom Support Angle Assembly (Assembly includes the following parts from Figure No. 7: Part Ref. Nos. 18, 20, 21, 22, or 23.)	1
20	58086-16	Rudder Cable Fairlead	1
21	18532	Elevator Control Pulley Bracket Assembly	1
22	185010	Angle Support—Tab Control Conduit Support used on Aircraft Serial No. 1934 to No. 3659.)	1
23	185055	Angle Support—Tab Control Conduit (Support used on Aircraft Serial No. 3660 and Subs.)	1
24	29097	Stiffener—No. 3 Bottom Skin—L.H.	1	..	1
25	08043-28	Static Tube (Above—one piece line extending from Blkd. No. 4 to front of Blkd. No. 2.)	1	..	1
26	09165	Floor Assembly—Baggage Compartment
27	59171-2	Hat Throw Shelf
28	08043-54	No. 3 Top Side Skin—L.H.	1	..	1
29	09003-4	Seal—Rear Side Window	1	..	1
30	49138	Retainer—Rear Side Window	1	..	1
31	19139	Window—Rear Side	1	..	1
32	18117	Reinf. Patch—No. 3 Top Side Skin—L.H.	1	..	1
33	48086-9	Stiffener—No. 3 Top Side Skin—L.H.	1	..	1
34	08043-1700	No. 3 Top Center Skin	1
35	08043-5400	No. 3 Top Side Skin Assembly—L.H. (Assembly includes the following parts from Figure No. 7: Parts Ref. Nos. 28, 29, 30, 31.)	1	..	1
36	08043-5500	No. 3 Top Side Skin Assembly—R.H. (Assembly includes the following parts from Figure No. 7: Parts Ref. Nos. 7, 8, 9, 10.)	..	1	1
37	59170	Large—Baggage Curtain (Not Shown)	1
38	29172	Small—Baggage Curtain (Not Shown)	1

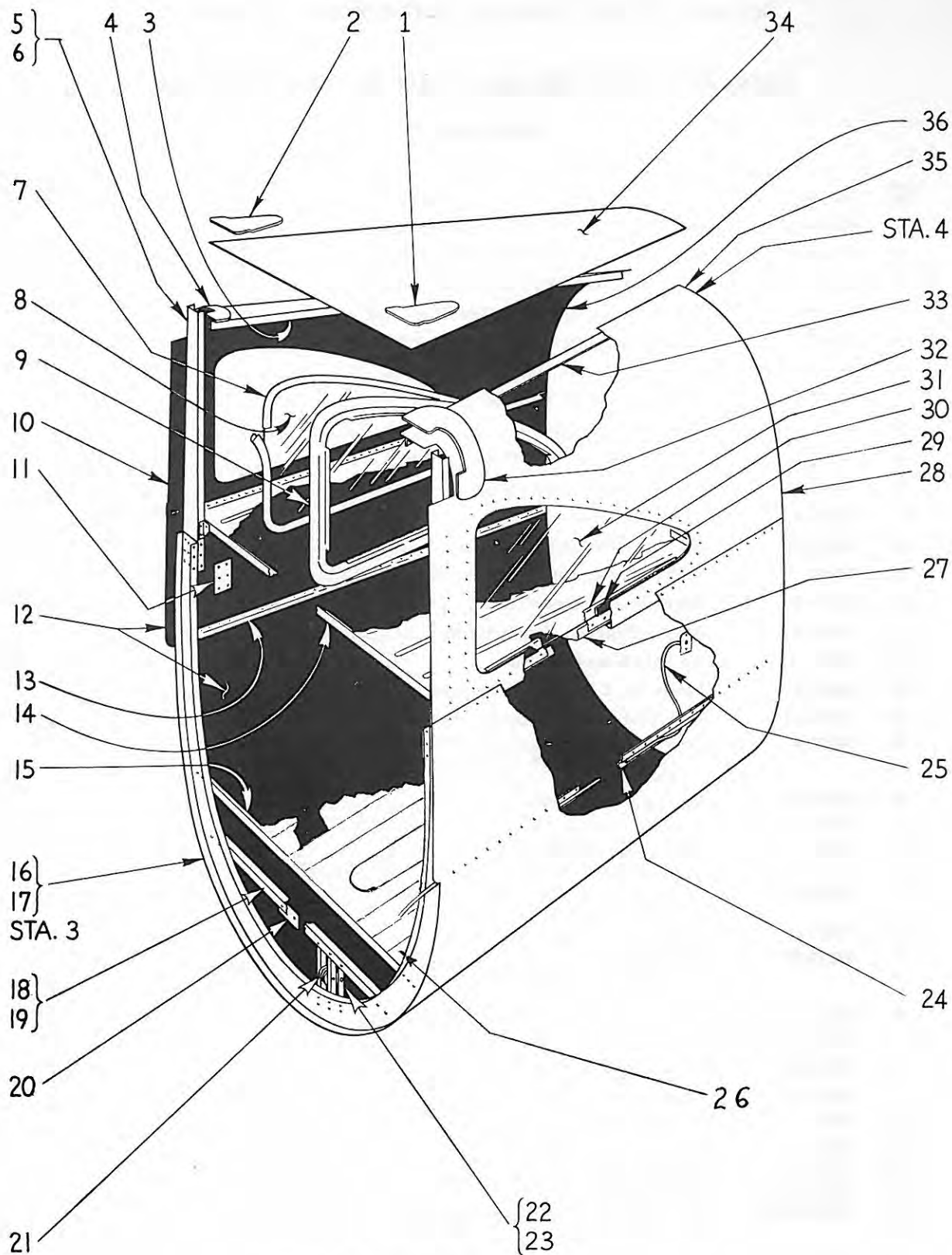


FIGURE No.7
 FUSELAGE—STATIONS 3 TO 4—MODEL 8E

FUSELAGE CONE SECTION ASSEMBLY—STA. No. 4 TO 7

FIGURE No. 8

Ref. No.	Part No.	Description	Parts Required		
			Left	Right	Total
1	08043-50	Fuselage Splice Strip—R.H. (Part Ref. No. 1 used on Aircraft Serial No. 1976 and Subs.)	..	1	1
	08043-20	Fuselage Splice Strip—R.H. (Above part used on Aircraft Serial No. 800 to No. 1975.)	..	1	1
2	08043-40	Upper Fuselage Cone Skin (Part Ref. No. 2 used on Aircraft Serial No. 1976 and Subs.)	1
	08043-5	No. 5 Upper Cone Skin—Rear	1
	08043-6	No. 4 Upper Cone Skin—Front (Above furnished as 2-pc. cone skin on Aircraft Serial No. 800 to No. 1975.)	1
3	28004	No. 4 Bulkhead, Complete	1
4	08043-40	Lower Fuselage Cone Skin (Part Ref. No. 4 used on Aircraft Serial No. 1976 and Subs.)	1
	08043-5	No. 5 Lower Cone Skin—Rear	1
	08043-6	No. 4 Lower Cone Skin—Front (08043—5 and 08043—6 furnished as 2-pc. cone skin on Aircraft Serial No. 800 to No. 1975.)	1
5	08043-50	Fuselage Splice Strip—L.H. (Part Ref. No. 5 used on Aircraft Serial No. 1976 and Subs.)	1	..	1
	08043-20	Fuselage Splice Strip—L.H. (Above part used on Aircraft Serial No. 800 to No. 1975.)	1	..	1
6	28042	No. 5 Bulkhead, Complete	1
7	481022	Stiffener, Splice Strip	1	..	1
8	481022	Stiffener, Splice Strip	..	1	1
9	18088	Tail Inspection Hole Cover Plate (Inspection cover plate includes the following three items:)	1
	18088-3	Inspection Hole Cover Plate Reinf.	1
	18088-2	Inspection Hole Cover	1
	AN515-6-3	Screw	2
10	08043-94	Fuselage Cone Section Assembly (Assembly includes the following parts from Figure No. 8: Part Ref. Nos. 1, 2, 3, 4, 5, 6, 7, 8, and 9.)	1

FUSELAGE COMB SECTION ASSEMBLY DATA

FIGURE 10

Part No.	Description	Quantity
1001	...	1
1002	...	1
1003	...	1
1004	...	1
1005	...	1
1006	...	1
1007	...	1
1008	...	1
1009	...	1
1010	...	1
1011	...	1
1012	...	1
1013	...	1
1014	...	1
1015	...	1
1016	...	1
1017	...	1
1018	...	1
1019	...	1
1020	...	1
1021	...	1
1022	...	1
1023	...	1
1024	...	1
1025	...	1
1026	...	1
1027	...	1
1028	...	1
1029	...	1
1030	...	1
1031	...	1
1032	...	1
1033	...	1
1034	...	1
1035	...	1
1036	...	1
1037	...	1
1038	...	1
1039	...	1
1040	...	1
1041	...	1
1042	...	1
1043	...	1
1044	...	1
1045	...	1
1046	...	1
1047	...	1
1048	...	1
1049	...	1
1050	...	1
1051	...	1
1052	...	1
1053	...	1
1054	...	1
1055	...	1
1056	...	1
1057	...	1
1058	...	1
1059	...	1
1060	...	1
1061	...	1
1062	...	1
1063	...	1
1064	...	1
1065	...	1
1066	...	1
1067	...	1
1068	...	1
1069	...	1
1070	...	1
1071	...	1
1072	...	1
1073	...	1
1074	...	1
1075	...	1
1076	...	1
1077	...	1
1078	...	1
1079	...	1
1080	...	1
1081	...	1
1082	...	1
1083	...	1
1084	...	1
1085	...	1
1086	...	1
1087	...	1
1088	...	1
1089	...	1
1090	...	1
1091	...	1
1092	...	1
1093	...	1
1094	...	1
1095	...	1
1096	...	1
1097	...	1
1098	...	1
1099	...	1
1100	...	1

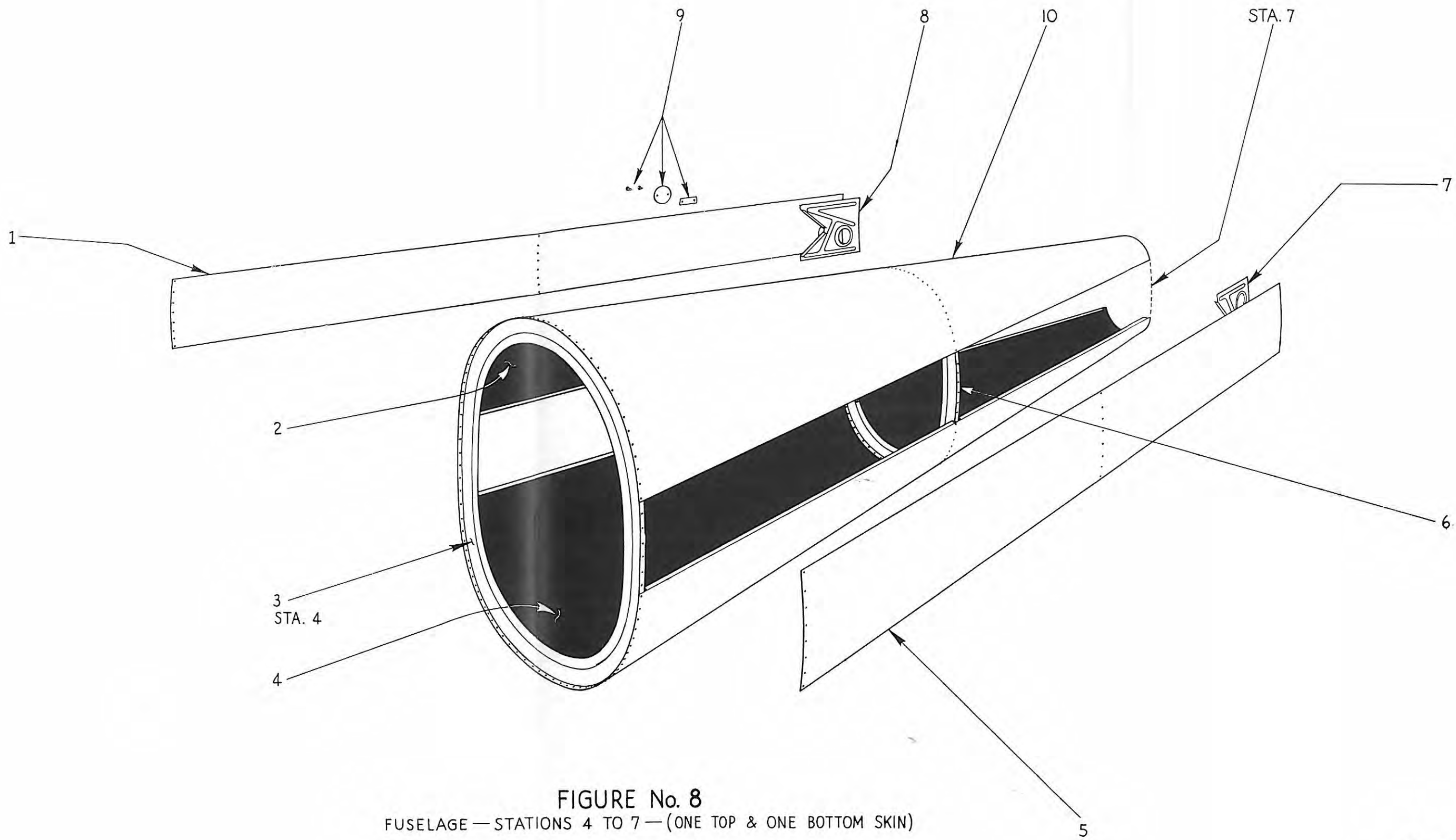


FIGURE No. 8
 FUSELAGE — STATIONS 4 TO 7 — (ONE TOP & ONE BOTTOM SKIN)

FUSELAGE—STATION 7 TO 8

FIGURE No. 9

Ref. No.	Part No.	Description	Parts Required		
			Left	Right	Total
1	08043-95	Fuselage Tail Section Assembly (Sta. No. 7 to 8.) (Complete Assembly includes all the following parts except Part Ref. Nos. 5, 6, 7, 8.)	1
2	29104	Tail Tray Only	1
3	29101	Tail Tray Assembly (Assembly includes the following parts from Figure No. 9: Parts Ref. Nos. 2, 4.)	1
4	29108	Front Stabilizer Attach. Fitting	1
5	28015	Tail Tray Only (Old Style)	1
6	18115	Front Stabilizer Attach. Fitting (Old Style)	1
7	18128	Angle Bracket Under Tail Tray (Old Style) L.H.	1	..	1
8	18128-1	Angle Bracket Under Tail Tray (Old Style) R.H.	..	1	1
9	28007	No. 7 Bulkhead, Complete (Assembly includes the No. 7 Bulkhead Stamping and the following parts from Figure No. 9: Part Ref. Nos. 10, 11.)	1
10	49105	No. 7 Bulkhead Reinforcement	1
11	28099	Rudder Pulley Bracket Assembly	1
12	58086-12	Bottom Tailskin Stiffener	1	..	1
13	58086-11	Top Tailskin Stiffener—L.H.	1	..	1
14	58086-10	Top Tailskin Stiffener—R.H.	..	1	1
15	08043-4	Fuselage Tailskin	1
16	18101	Rudder Stop Scuff Plate	1	1	2
17	18110	Tail Tray Reinforcement Bracket	1
18	49099-4	Reinforcement Clip—No. 7 Bulkhead	1
19	AN365-1032	Nut	1	1	2
20	AN960-10	Washer	1	1	2
21	48359-3	Bearing Block—Tail Wheel Bracket	1
22	18360	Tailwheel Bracket Fitting—Rear	1
23	48359	Tail Wheel Attach. Bracket Assembly (Assembly includes bracket and the following parts from Figure No. 11: Parts Ref. Nos. 19, 20, 21, 22, 24, 25, and 26. Bracket furnished undrilled for service.)	1
24	AN456-AD6-5	Rivets	1	1	2
25	48359-2	Tail Wheel Bracket Reinforcement Plate	1
26	AN3-17A	Bolt	1	1	2
27	49099-3	Outer Reinf. Plate—Top Tail Blkd.	1	1	2
28	49099-2	Inner Reinf. Plate—Top Tail Blkd.	1	1	2
29	49099	Tail Bulkhead Assembly, Complete (Assembly includes the tail blkd. stamping and the following parts reference Nos. 17, 18, 27 and 28.)	1
30	08043-400	Tailskin Assembly (Assembly includes the following parts from Figure No. 9: Parts Ref. Nos. 12, 13, 14 and 15.)	1
31	48359-4	Plate—Tail Wheel Spring	1

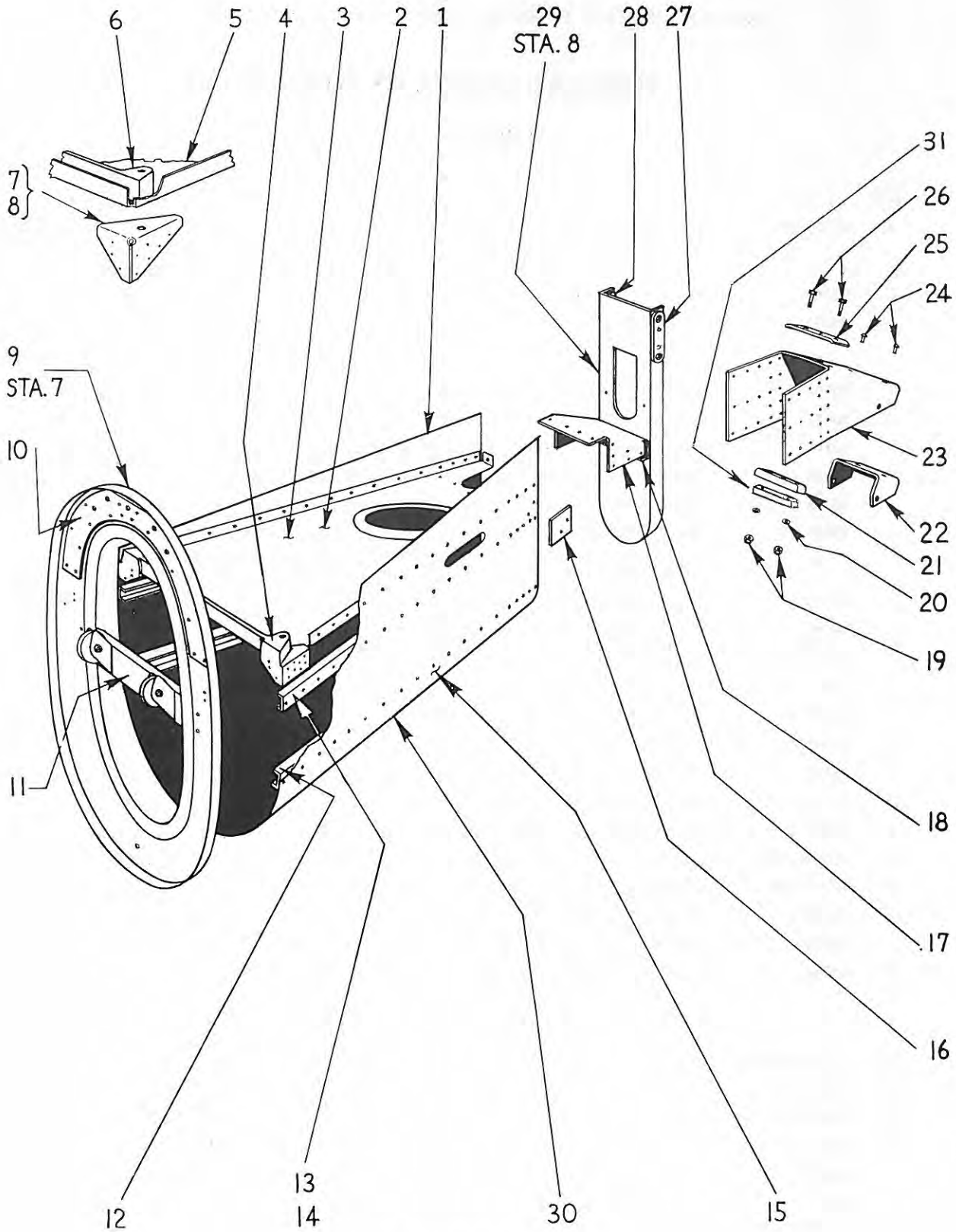


FIGURE No. 9
 FUSELAGE—STA. 7 TO 8

DOOR ASSEMBLY—8A AND 8E

FIGURE No. 10

Ref. No.	Part No.	Description	Parts Required		
			Left	Right	Total
1	48051	Door Frame Assembly—L.H.—8A.....	1	..	1
2	48054	Door Assembly—Complete—8A—L.H. (Assembly includes the following parts from Figure No. 10: Parts Ref. Nos. 1, 6, 7, 8, 9, 11, 13, 14, 15, 16, 17, 18, 19, 20, 21, 22, 24, 25, 26, 27, 33, 34, 35, 37, 38, 40, 41, 42, 43, 44, 45, 46, 47, 51, 52, 54, 55, 56, 57, 58, 59, 60, 61, 63, 64, 65, 66, 67, 68.)	1	..	1
3	AN365-1032	Nut	1	1	2
4	AN960-6	Washer	2	2	4
5	AN3-14A	Bolt	1	1	2
6	18071-8	Upper Door Hinge.....	1	..	1
7	AN505-10-8	Flat Head Screw.....	1	1	2
8	AN365-1024	Nut	2	2	4
9	28114	Window Latch Assembly—L.H..... (Assembly includes the following parts from Figure No. 10: Parts Ref. Nos. 11, 18, 19, 20, 21, 22.)	1	..	1
10	28114-1	Window Latch Assembly—R.H..... (Assembly includes the following parts from Figure No. 10: Parts Ref. Nos. 12, 18, 19, 20, 21, 23, Assembly used on Model 8E only.)	..	1	1
11	28113-4	Window Latch Arm—Inboard—L.H.—8A and 8E.....	1	..	1
12	28113-7	Window Latch Arm—Inboard—R.H.—8E.....	..	1	1
13	481107-11	Window Retainer—Front	1	1	2
14	#4x 3/8"	Type A Parker—Kalon Screw—Stove Head.....	19	19	38
15	3/4"	Okonite Rubber Tape—(6 ft. length).....	1	1	2
16	481107-7	Window Hinge	1	1	2
17	#6x 3/8"	Screw—Parker Kalon	6	6	12
18	M-912	Window Latch Knob.....	1	1	2
19	AN515-6-10	Screw	1	1	2
20	AN935-6	Lock Washer	1	1	2
21	AN340-6	Nut	1	1	2
22	28113-5	Window Latch Arm—Outboard—L.H.—8A and 8E.....	1	..	1
23	28113-6	Window Latch Arm—Outboard—R.H.—8E.....	..	1	1
24	481107-8	Window Retainer—Top	1	1	2
25	481107-12	Window—Door	1	1	2
26	481107-2	Window Frame Assembly—L.H.—8A and 8E.....	1	..	1
26A	481107-13	Window Frame Assembly—R.H.—8E.....	..	1	1
27	481107-7	Window Hinge	1	1	2
28	61-3420	Door Strike	1	1	2
29	#6x 1/2"	Type A Parker-Kalon Screw—Stove Head.....	2	2	4
30	61-3323	Door Catch—L.H.	1	..	1
31	61-3323-1	Door Catch—R.H.	1	1
	082201-E.O. 823	Friction Catch Assembly..... (Ref. No. 28 and No. 30—L.H. Ref. No. 28 and 31—R.H.)	1	1	2
	281259	Window Latch Details			

SILVAIRE AIRCRAFT COMPANY, FORT COLLINS, COLORADO

DOOR ASSEMBLY — 8A AND 8E — (Continued)

Ref. No.	Part No.	Description	Parts Required		
			Left	Right	Total
32	#6x $\frac{1}{4}$ "	Type A Parker-Kalon Screw—Stove Head.....	2	2	4
33	481107-9	Window Retainer—Rear	1	..	1
34	481107	Door Window Assembly—L.H.—8A and 8E..... (Assembly includes the following parts from Figure No. 10: Parts Ref. Nos. 13, 14, 15, 16, 17, 24, 25, 26, 27, 33, 37, 42.)	1	..	1
35	481107-1	Door Window Assembly—R.H.—8E..... (Assembly includes the following parts from Figure No. 10: Parts Ref. Nos. 13, 14, 15, 16, 17, 24, 25, 26, 27, 33, 37, 42.)	..	1	1
36	18053-2	Door Skin Strip.....	1	1	2
37	481107-10	Window Retainer—Bottom	1	1	2
38	#4x $\frac{1}{4}$ "	Type A Parker-Kalon Screw—Stove Head.....	4	4	8
39	181121	Plate—Door Catch	1	1	2
40	#4x $\frac{1}{4}$ "	Type A Parker-Kalon Screw—Stove Head.....	21	..	21
41	18053-3	Door Skin—L.H.	1	..	1
42	28113-3	Clip—Window Latch—(On Window Frame).....	1	1	2
43	AN515-10-8	Screw	1	1	2
44	AN365-1032	Nut	1	1	2
45	28113-2	Clip—Window Latch—(On Door Frame).....	1	1	2
46	2791	Rubber Seal—(Pc.—36" Long on Front Edge of Door).....	1	1	2
47	48051-300	Lower Door Hinge.....	1	..	1
48	AN3-7A	Screw	1	1	2
49	AN960-10	Washer	1	1	2
50	AN365-1032	Nut	1	1	2
51	181119	Door Knob—Model 8A Only).....	1	1	2
52	181145	Slide Cover Plate—Cabin Door—L.H.....	1	..	1
53	181145-1	Slide Cover Plate—Cabin Door—R.H.....	..	1	1
54	AN936-B6	Star Washer	1	1	2
55	AN315-D640R	Nut	1	1	2
56	AN340-4	Nut	2	2	4
57	AN505-4-12	Screw—Flat Head	2	2	4
58	18118	Clip—Cabin Door—(8A Only).....	1	1	2
59	181117	Spring—Door Latch—(8A Only).....	1	1	2
60	AN520-6-12	Screw	1	1	2
61	181153	Anchor—Door Catch	1	1	2
62	281122	Latch Rod Assembly—Door—(8A Only)..... (Assembly includes the following parts from Figure No. 10: Parts Ref. Nos. 61, 63, 64.)	1	1	2
63	281122-2	Rod—Door Catch—(8A)	1	1	2
64	AN520-6-12	Screw	1	1	2
65	181120	Bracket—Door Latch—(8A)	1	1	2
66	AN315-D640R	Nut	1	1	2
67	AN936-B6	Star Washer	1	1	2
68	181119	Door Knob—(Model 8A Only).....	1	1	2
69	48051-300	Lower Door Hinge.....	..	3	1

SILVAIRE AIRCRAFT COMPANY, FORT COLLINS, COLORADO

DOOR ASSEMBLY—8A AND 8E—(Continued)

Ref. No.	Part No.	Description	Parts Required		
			Left	Right	Total
70	AN520-4-8	Screw	1	1	2
71	AN345-4	Nut	1	1	2
72	18816	Door Stop Catch..... (Assembly includes Parts Ref. Nos. 70, 71, from Fig. No. 10, Catch used on Aircraft Serial No. 1934 to No. 3199, incl. Replaced by Parts Ref. Nos. 28, 30, 31 on Aircraft Serial No. 3200 and Subs.)	1	1	2
73	18053-4	Door Skin—R.H.	1	1
74	#4x¼"	Type A Parker-Kalon Screw—Stove Head.....	..	21	21
75	18829	Door Bolt Catch—(8E Only).....	1	1	2
76	18053-2	Door Skin Strip.....	..	1	1
77	48125-2	Window—Door (8A Only).....	..	1	1
78	#4x¼"	Type A Parker-Kalon Screw—Stove Head.....	..	15	15
79	48125-4	Window Retainer—Top—(8A Only).....	..	1	1
80	48125-3	Window Retainer—Side—(8A Only).....	..	1	1
81	18071-8	Upper Door Hinge.....	..	1	1
82	48125	Door Assembly—R.H.—(8A Only)..... (Assembly includes the following parts from Figure No. 10: Parts Ref. Nos. 51, 53, 54, 55, 56, 57, 58, 59, 60, 62, 65, 66, 67, 68, 69, 73, 74, 76, 77, 78, 79, 80, 81, 83A.)	..	1	1
82A	48054-100	Door Assembly—R.H.—(8E Only)..... (Assembly includes the following parts from Figure No. 10: Parts Ref. Nos. 7, 8, 10, 35, 36, 37, 38, 40, 41, 43, 44, 45, 46, 69, 81, 83A, 84, 86 to 112 incl.)	..	1	1
83	48051-1	Door Frame Assembly—R.H.—(8A).....	..	1	1
83A	48051-100	Door Frame Assembly—R.H.—(8E).....	..	1	1
84	AN505-6-6	Screw—Flat Head	3	3	6
85	48830-11	Locking Door Handle, with Keys—L.H.—(8E).....	1	..	1
86	48830-12	Non-Locking Door Handle—R.H.—(8E).....	..	1	1
87	48830-14	Pin—Door Handle (8E).....	..	1	1
88	48830-6	Bushing—Door Latch (8E).....	..	1	1
89	48830-2	Plate—Door Latch (8E)..... (Assembled with SP3-102-.065-14 Bushing.)	1	1	2
90	AN935-10L	Lock Washer (8E).....	..	1	1
91	AN526-1032-6	Screw (8E)	1	1
92	181117	Spring—Door Latch (8E).....	1	1	2
93	181153	Anchor—Door Latch (8E).....	1	1	2
94	48830-3	Bracket—Door Latch (8E).....	1	1	2
95	M-912	Knob (8E)	1	1
96	AN515-6-8	Screw (8E)	1	1
97	18828-99	Lock Assembly—Door Latch—R.H. (8E)..... (Assembly includes Parts Ref. Nos. 95, 96, 98.)	..	1	1
98	18828	Lock—Door Latch—R.H. (8E).....	..	1	1
99	AN515-6-8	Screw (8E)	1	1
100	#6-32x⅝"	Sleeve Nut (8E).....	..	1	1
101	#603-10	Washer—Flush Finishing (8E).....	..	1	1

SILVAIRE AIRCRAFT COMPANY, FORT COLLINS, COLORADO

DOOR ASSEMBLY — 8A AND 8E — (Continued)

Ref. No.	Part No.	Description	Parts Required		
			Left	Right	Total
102	48830-7	Retaining Pin—Inside Door Handle (8E).....	1	1	2
103	48830-8	Handle—Inside Door (8E).....	1	1	2
104	48830-15	Escutcheon—Door (8E)	1	1	2
105	48830-#1267	Spring—Inside Door Handle (8E).....	1	1	2
106	AN526-1032-8	Screw (8E)	1	1	2
107	48830-400	Door Latch Arm Assembly—L.H. (8E).....	1	..	1
107A	48830-1600	Door Latch Arm Assembly—R.H. (8E).....	..	1	1
108	AN380-2-2	Cotter Pin (8E).....	1	1	2
109	18827	Bolt—Door Latch (8E).....	1	1	2
110	AN526-1032-8	Screw (8E)	1	1	2
111	18826-2	Door Latch Actuating Arm (8E).....	1	1	2
112	AN380-2-2	Cotter Pin (8E).....	1	1	2
113	48051-99	Door Frame Assembly—L.H. (8E).....	1	..	1
114	48054-99	Door Assembly—L. H. (8E Only)..... (Assembly includes the following parts from Figure No. 10: (Parts Ref. Nos. 6, 7, 8, 9, 34, 36, 37, 38, 40, 41, 43, 45, 46, 47, 84, 85 to 113, incl.)	1	..	1
115	48054-2	Filler Strip—R.H.—8A—L.H./R.H.—8E).....	1	1	2
116	48054-3	Filler Strip—R.H.—8A—L.H./R.H.—8E).....	1	1	2
117	48054-4	Filler Strip—R.H.—8A—L.H./R.H.—8E).....	1	1	2

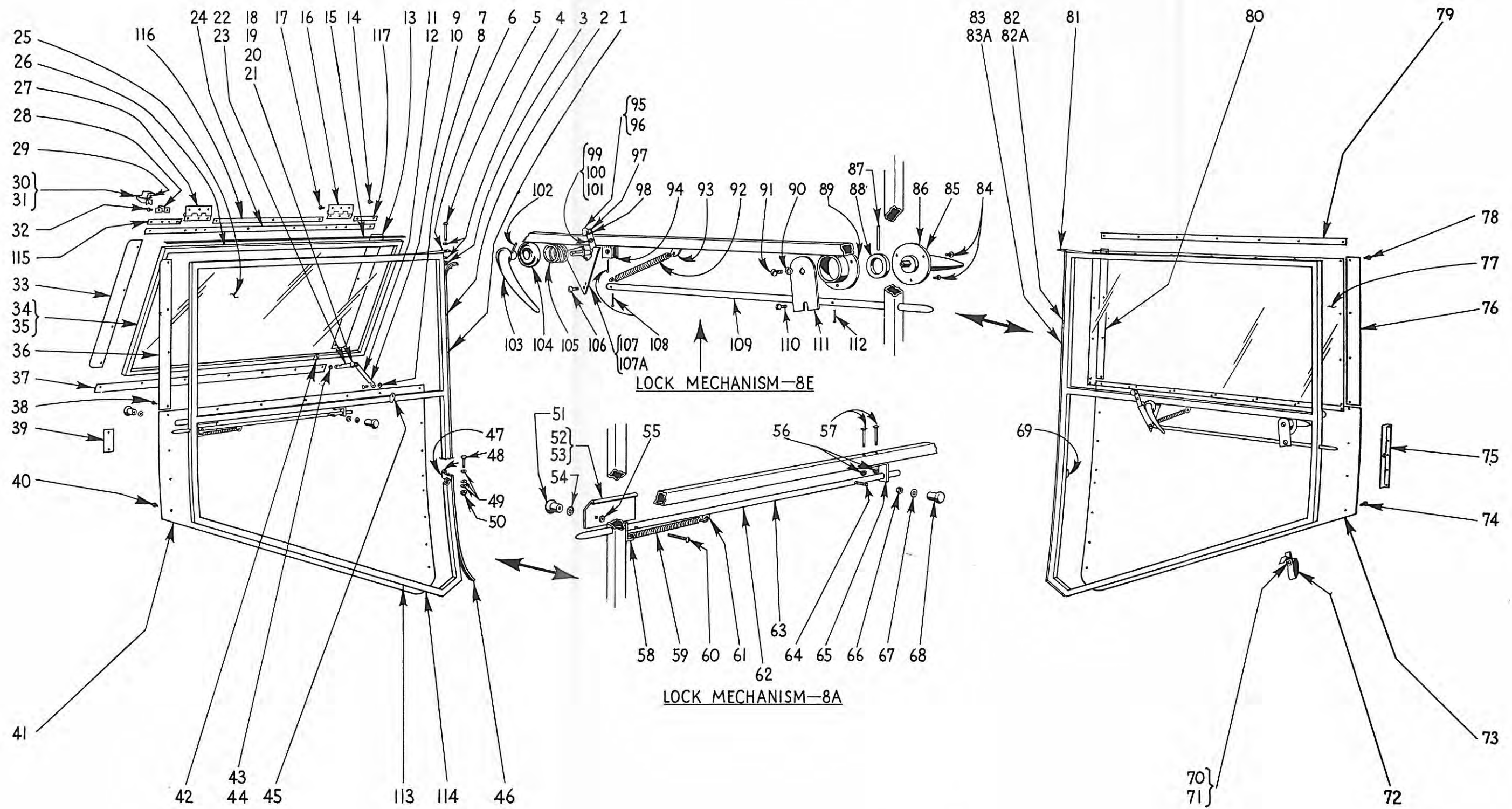


FIGURE No. 10
DOOR ASSEMBLIES—MODELS 8A & 8E

FIN AND RUDDER ASSEMBLY**FIGURE No. 11**

Ref. No.	Part No.	Description	Parts Required		
			Left	Right	Total
1	58402	Vertical Fin Assembly..... (Assembly includes the following parts from Figure No. 11: Parts Ref. Nos. 2, 3, 4, 5, 6, 7, 8, 9, 10, 16, 57, 58, 59, 61, 63.)	1
2	38411-2	Rear Fin Spar.....	1
3	48452	Fin Tip Assembly.....	1
4	38422	Front Fin Spar.....	1
5	28424	Fin Tip Rib.....	1
6	58402-3	Fin Side Skin.....	1	1	2
7	58402-2	Fin Leading Edge Skin.....	1
8	38425	Upper Inside Fin Rib.....	1
9	38426	Lower Inside Fin Rib.....	1
10	38427	Base Fin Rib.....	1
11	48404	Stabilizer Fairing, L.H.....	1	..	1
12	48404-1	Stabilizer Fairing, R.H.....	..	1	1
13	#4x 1/4"	Type A Parker-Kalon Screw—Stove Head.....	6	6	12
14	AN3-6A	Bolt.....	2	2	4
15	18438	Shim, Fin Attachment, Front.....	2
16	28453	Fin Attachment Fitting, Front (Casting).....	1
17	AN960-10	Washer.....	4	4	8
18	AN365-1032	Nut.....	2	2	4
19	AN4-31A	Bolt.....	1
20	AN4-6A	Bolt.....	1	1	2
21	AN960-416	Washer.....	2
22	AN365-428	Nut.....	2
23	49099	Tail Bulkhead Assembly—Station No. 8.....	1
24	18441	Hinge Pin.....	2
25	18416	Hinge Bracket.....	2
26	AN4-7A	Bolt.....	1
27	AN365-1032	Nut.....	1
28	AN960-10	Washer.....	1
29	AN960-10L	Washer.....	2
30	AN960-716	Washer.....	5
31	AN3-7A	Bolt.....	1
32	18437	Rudder Lower Hinge.....	1
33	48490	Rudder Horn.....	1
34	48491	Rudder Horn Assembly..... (Assembly includes the following parts from Figure No. 11: Parts Ref. Nos. 32, 33.)	1
35	28435-3	Lower Rudder Rib.....	1
36	28435-2	Upper Rudder Rib.....	1

SILVAIRE AIRCRAFT COMPANY, FORT COLLINS, COLORADO

FIN AND RUDDER ASSEMBLY — (Continued)

Ref. No.	Part No.	Description	Parts Required		
			Left	Right	Total
37	58403-10	Rudder Assembly, Complete—8A..... (Assembly includes the following parts from Figure No. 11: Parts Ref. Nos. 34, 35, 36, 38, 39, 42, 43, 45, 46, 47, 48, 49, 50, 51, 53, 60, 62.)	1
37A	58403-00	Rudder Assembly, Complete—8E..... (Assembly includes the following parts from Figure No. 11: Parts Ref. Nos. 34, 35, 36, 38, 39, 40, 41, 42, 45, 46, 47, 48, 49, 50, 51, 53, 60, 62.)	1
38	58403-2	Rudder Skin, L.H.....	1	..	1
39	58403-3	Rudder Skin, R.H.....	..	1	1
40	58834-130	Tail Light Wire (No. 16 Gauge With V-50 Tip).....	1
41	58834-11	Grimes Model "S" Tail Light (15c.p.) (#A2064S).....	1
42	58403-8	Trim Tab	1
43	18434	Rudder Sub Spar..... (Rudder sub spar eliminated on rudder assembly for Air- craft Serial No. 3524 and Subs.)	1
44	AN960-716	Washer (Placed as shown).....	5
45	18431	Rudder Main Spar.....	1
46	58403-4	Leading Edge, Rudder, L.H.....	1	..	1
47	58403-5	Leading Edge, Rudder, R.H.....	..	1	1
48	AN3-14A	Bolt	2
49	AN960-10	Washer	4
50	AN365-1032	Nut	2
51	18433	Upper Rudder Hinge.....	1
52	18441	Hinge Pin	1
53	58403-6	Top Rudder Shim.....	1
54	AN3-6	Bolt	1
55	AN320-332	Shear Nut	1
56	AN380-2-2	Cotter Pin	1
57	AN4-5A	Bolt	1
58	18416	Hinge Bracket	1
59	AN366-F428	Nut	1
61	18419	Rear Spar Attachment Fitting Assembly.....	1
62	18429	Reinforcement Rudder Horn.....	1
63	18451	Reinforcement Plate—Rear Fin Spar.....	1

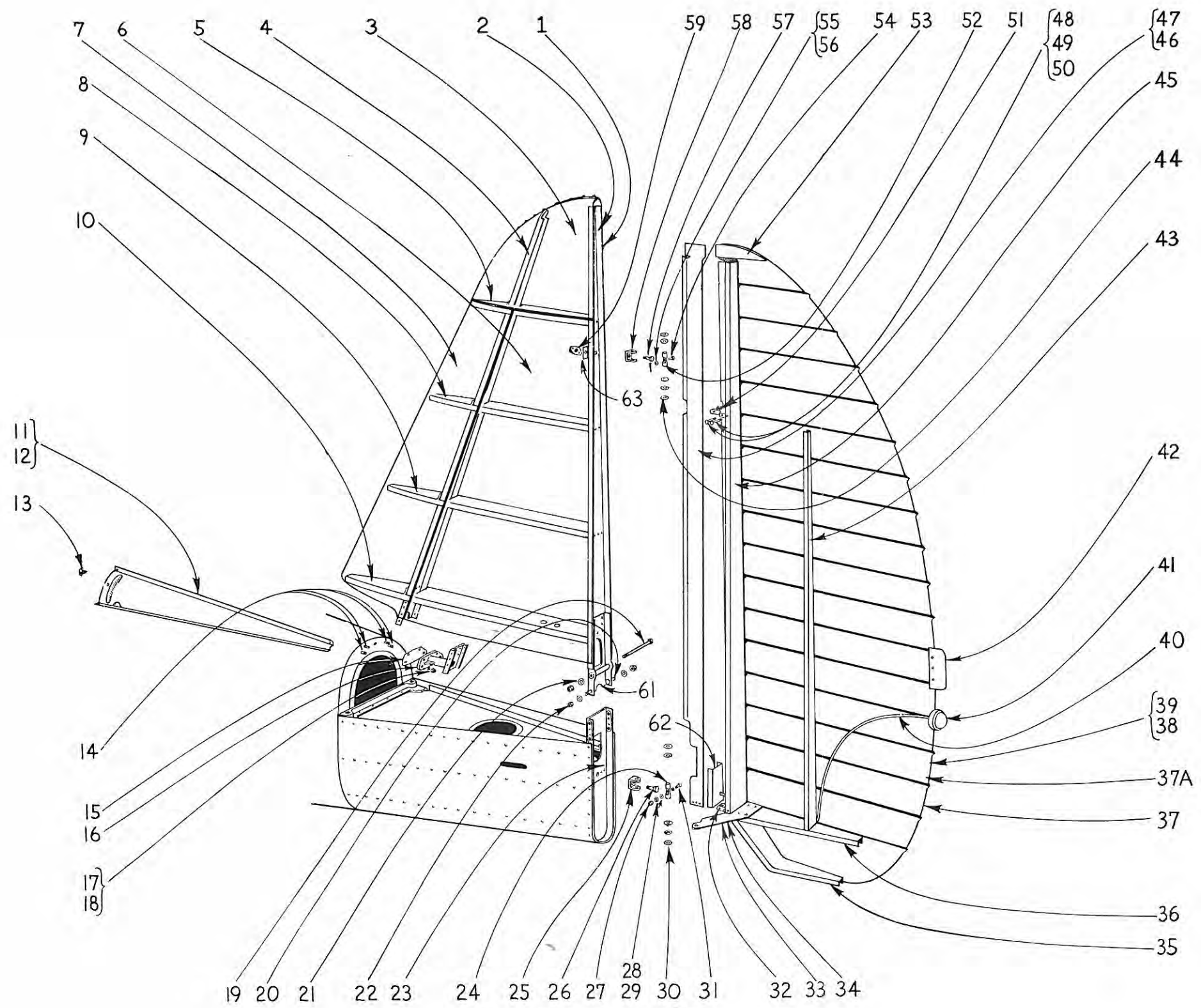
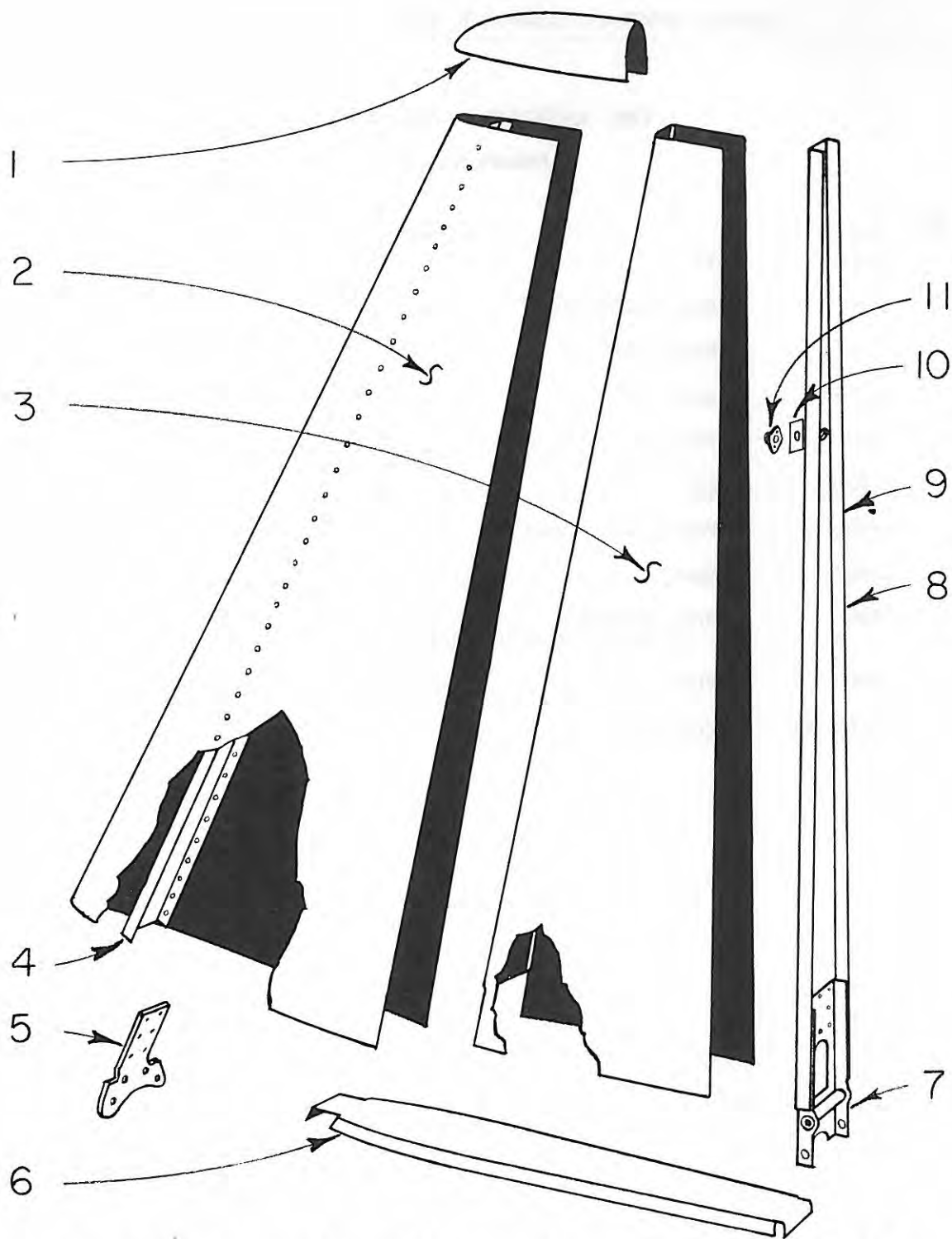


FIGURE No. II
FIN AND RUDDER ASSEMBLY

FIN ASSEMBLY—SQUARE TIP

FIGURE NO. 11A

Ref. No.	Part No.	Description	Parts Required		
			Left	Right	Total
1	28479	Tip.....	1
2	58480-2	Skin—Leading Edge.....	1
3	58480-3	Skin—Rear.....	1
4	38485	Spar—Forward.....	1
5	18487	Plate—Front Attach.....	1
6	38486	Rib.....	1
7	18419	Fitting—Rear Attach.....	1
8	38484-2	Spar.....	1
9	38484	Spar Assembly..... (Consists of Items 7, 8, 10, 11)	1
10	18451	Plate.....	1
11	AN366-428	Plate Nut.....	1



Note: Fittings Not Shown Are The Same As
In Figure No. II

FIGURE No. IIA
FIN ASSEMBLY

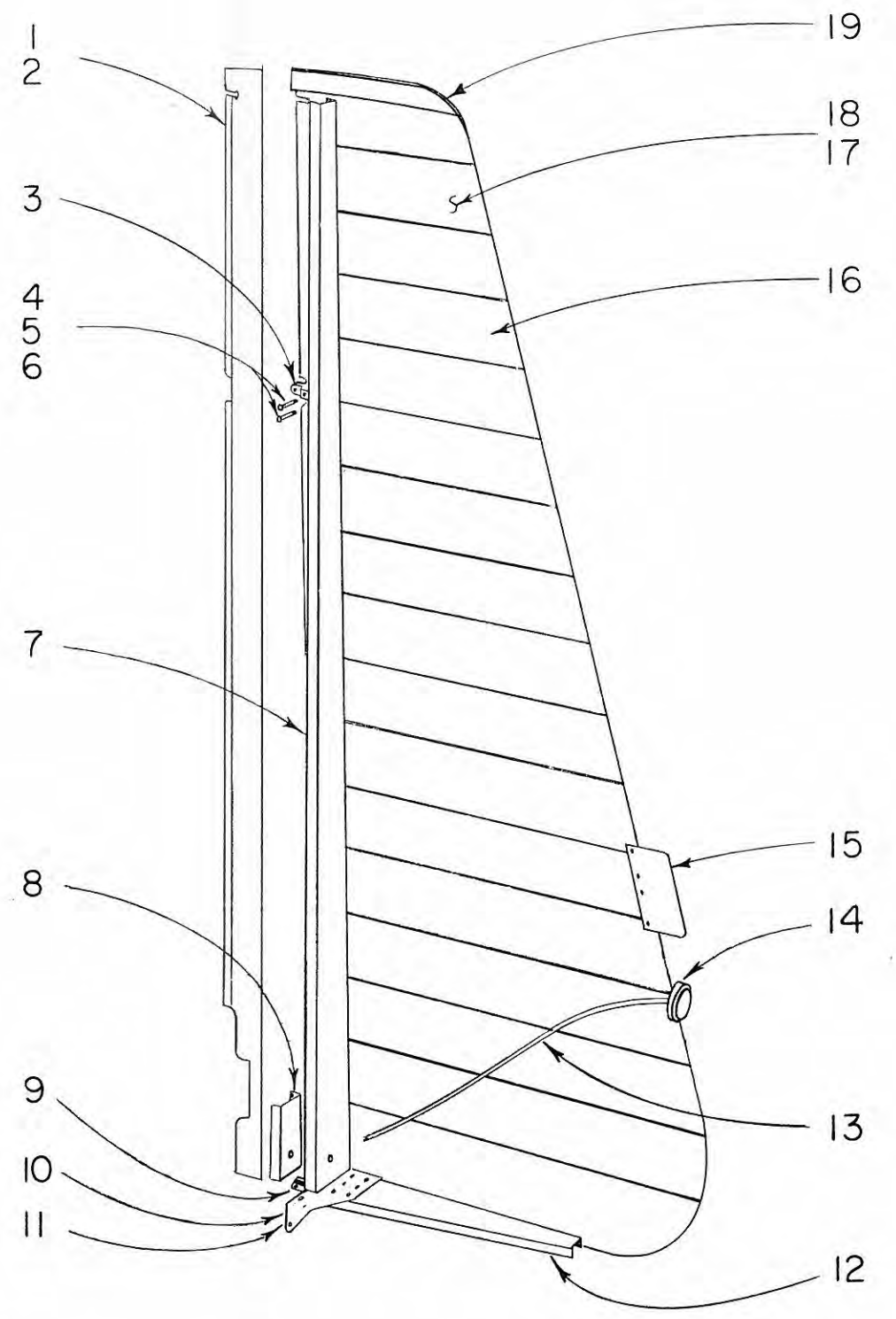


FIGURE No. IIB
RUDDER ASSEMBLY

ELEVATOR ASSEMBLY— SQUARE TIP

FIGURE NO. 11B

Ref. No.	Part No.	Description	Parts Required		
			Left	Right	Total
1	08492-2	Cover—Leading Edge.....	1	..	1
2	08492-3	Cover—Leading Edge.....	..	1	1
3	18433	Upper Hinge.....	1
4	AN3-14A	Bolt.....	2
5	AN960-10	Washer.....	4
6	AN365-1032	Nut.....	2
7	18431	Spar.....	1
8	18429	Reinforcement.....	1
9	18437	Lower Hinge.....	1
10	18490	Horn.....	1
11	18491	Horn Assembly..... (Consists of Items 9 & 10)	1
12	28435-2	Rib.....	1
13	58834-130	Tail Light Wire.....	1
14	A2064	Grimes Tail Light.....	1
14A	08492-8	Casting.....	1
15	08492-4	Tab.....	1
16	08492	Rudder Assembly.....	1
17	08492-6	Skin.....	1	..	1
18	08492-7	Skin.....	..	1	1
19	08492-5	Shim.....	1

FLYATOR ASSEMBLY

REV. 10-1-42

Part No.	Description	QTY
10000	FLYATOR ASSEMBLY	1
10001	FLYATOR HOUSING	1
10002	FLYATOR ROTOR	1
10003	FLYATOR STATOR	1
10004	FLYATOR IMPELLER	1
10005	FLYATOR IMPELLER NUT	1
10006	FLYATOR IMPELLER WASHER	1
10007	FLYATOR IMPELLER PIN	1
10008	FLYATOR IMPELLER PIN WASHER	1
10009	FLYATOR IMPELLER PIN NUT	1
10010	FLYATOR IMPELLER PIN WASHER	1
10011	FLYATOR IMPELLER PIN NUT	1
10012	FLYATOR IMPELLER PIN WASHER	1
10013	FLYATOR IMPELLER PIN NUT	1
10014	FLYATOR IMPELLER PIN WASHER	1
10015	FLYATOR IMPELLER PIN NUT	1
10016	FLYATOR IMPELLER PIN WASHER	1
10017	FLYATOR IMPELLER PIN NUT	1
10018	FLYATOR IMPELLER PIN WASHER	1
10019	FLYATOR IMPELLER PIN NUT	1
10020	FLYATOR IMPELLER PIN WASHER	1
10021	FLYATOR IMPELLER PIN NUT	1
10022	FLYATOR IMPELLER PIN WASHER	1
10023	FLYATOR IMPELLER PIN NUT	1
10024	FLYATOR IMPELLER PIN WASHER	1
10025	FLYATOR IMPELLER PIN NUT	1
10026	FLYATOR IMPELLER PIN WASHER	1
10027	FLYATOR IMPELLER PIN NUT	1
10028	FLYATOR IMPELLER PIN WASHER	1
10029	FLYATOR IMPELLER PIN NUT	1
10030	FLYATOR IMPELLER PIN WASHER	1
10031	FLYATOR IMPELLER PIN NUT	1
10032	FLYATOR IMPELLER PIN WASHER	1
10033	FLYATOR IMPELLER PIN NUT	1
10034	FLYATOR IMPELLER PIN WASHER	1
10035	FLYATOR IMPELLER PIN NUT	1
10036	FLYATOR IMPELLER PIN WASHER	1
10037	FLYATOR IMPELLER PIN NUT	1
10038	FLYATOR IMPELLER PIN WASHER	1
10039	FLYATOR IMPELLER PIN NUT	1
10040	FLYATOR IMPELLER PIN WASHER	1
10041	FLYATOR IMPELLER PIN NUT	1
10042	FLYATOR IMPELLER PIN WASHER	1
10043	FLYATOR IMPELLER PIN NUT	1
10044	FLYATOR IMPELLER PIN WASHER	1
10045	FLYATOR IMPELLER PIN NUT	1
10046	FLYATOR IMPELLER PIN WASHER	1
10047	FLYATOR IMPELLER PIN NUT	1
10048	FLYATOR IMPELLER PIN WASHER	1
10049	FLYATOR IMPELLER PIN NUT	1
10050	FLYATOR IMPELLER PIN WASHER	1
10051	FLYATOR IMPELLER PIN NUT	1
10052	FLYATOR IMPELLER PIN WASHER	1
10053	FLYATOR IMPELLER PIN NUT	1
10054	FLYATOR IMPELLER PIN WASHER	1
10055	FLYATOR IMPELLER PIN NUT	1
10056	FLYATOR IMPELLER PIN WASHER	1
10057	FLYATOR IMPELLER PIN NUT	1
10058	FLYATOR IMPELLER PIN WASHER	1
10059	FLYATOR IMPELLER PIN NUT	1
10060	FLYATOR IMPELLER PIN WASHER	1
10061	FLYATOR IMPELLER PIN NUT	1
10062	FLYATOR IMPELLER PIN WASHER	1
10063	FLYATOR IMPELLER PIN NUT	1
10064	FLYATOR IMPELLER PIN WASHER	1
10065	FLYATOR IMPELLER PIN NUT	1
10066	FLYATOR IMPELLER PIN WASHER	1
10067	FLYATOR IMPELLER PIN NUT	1
10068	FLYATOR IMPELLER PIN WASHER	1
10069	FLYATOR IMPELLER PIN NUT	1
10070	FLYATOR IMPELLER PIN WASHER	1
10071	FLYATOR IMPELLER PIN NUT	1
10072	FLYATOR IMPELLER PIN WASHER	1
10073	FLYATOR IMPELLER PIN NUT	1
10074	FLYATOR IMPELLER PIN WASHER	1
10075	FLYATOR IMPELLER PIN NUT	1
10076	FLYATOR IMPELLER PIN WASHER	1
10077	FLYATOR IMPELLER PIN NUT	1
10078	FLYATOR IMPELLER PIN WASHER	1
10079	FLYATOR IMPELLER PIN NUT	1
10080	FLYATOR IMPELLER PIN WASHER	1
10081	FLYATOR IMPELLER PIN NUT	1
10082	FLYATOR IMPELLER PIN WASHER	1
10083	FLYATOR IMPELLER PIN NUT	1
10084	FLYATOR IMPELLER PIN WASHER	1
10085	FLYATOR IMPELLER PIN NUT	1
10086	FLYATOR IMPELLER PIN WASHER	1
10087	FLYATOR IMPELLER PIN NUT	1
10088	FLYATOR IMPELLER PIN WASHER	1
10089	FLYATOR IMPELLER PIN NUT	1
10090	FLYATOR IMPELLER PIN WASHER	1
10091	FLYATOR IMPELLER PIN NUT	1
10092	FLYATOR IMPELLER PIN WASHER	1
10093	FLYATOR IMPELLER PIN NUT	1
10094	FLYATOR IMPELLER PIN WASHER	1
10095	FLYATOR IMPELLER PIN NUT	1
10096	FLYATOR IMPELLER PIN WASHER	1
10097	FLYATOR IMPELLER PIN NUT	1
10098	FLYATOR IMPELLER PIN WASHER	1
10099	FLYATOR IMPELLER PIN NUT	1
10100	FLYATOR IMPELLER PIN WASHER	1

STABILIZER AND ELEVATOR ASSEMBLY**FIGURE No. 12**

Ref. No.	Part No.	Description	Parts Required		
			Left	Right	Total
1	085021	Elevator Assembly—Complete (Assembly includes the following parts from Figure No. 12: Parts Ref. Nos. 85, 88, 90, 91.)	1
2	085022-7	Elevator Skin—Right Bottom.....	..	1	1
3	085022-5	Elevator Skin—Right Top.....	..	1	1
4	58400	Stabilizer Assembly—Complete (Assembly includes the following parts from Figure No. 12: Parts Ref. Nos. 5, 6, 7, 8, 9, 10, 11, 12, 13, 14, 15, 16, 17, 18, 19, 21, 22, 23, 24, 25, 26, 27, 28, 29, 30, 31, 32, 33, 34, 35, 41, 45, 46, and the following parts from Figure No. 18: Parts Ref. Nos. 67, 77, 78, 79, 80, 83.)	1
5	38409-2	Rear Stabilizer Spar.....	..	1	1
6	48452	Stabilizer Tip Assembly.....	..	1	1
7	38423	Front Stabilizer Spar.....	..	1	1
8	28324	Tip Rib—Stabilizer	1	1
9	58400-3	Outside Stab. Skin Adjoining Tip—Top and Bottom, L./R.....	2	2	4
10	38425	Rib—Outer Intermediate Stabilizer.....	..	1	1
11	58400-2	Leading Edge—Stabilizer—R.H.	1	1
12	38426	Rib—Center Stabilizer	1	1
13	58400-4	Top Center Stabilizer Skin.....	1
14	58400-8	Lower Right Inside Stabilizer Skin.....	..	1	1
15	19421	Rear Stabilizer Bracket Fitting.....	1
16	38427	Inner Intermediate Stabilizer Rib.....	..	1	1
17	28418-2	Stabilizer Spar Attachment Channel.....	1
18	58400-5	Lower Left Inside Stabilizer Skin.....	1	..	1
19	38428	Rib—Stabilizer Root	1	1
20	AN4-37A	Bolt	1	1	2
21	18436	Shim—Stabilizer Front Spar—Top.....	1
22	28417-2	Attachment Fitting—Front Stabilizer.....	1
23	58400-4	Top Center Stabilizer Skin.....	1
24	38428	Root Rib—Stabilizer	1	..	1
25	38427	Rib—Inner Intermediate Stabilizer.....	1	..	1
26	38426	Rib—Center Stabilizer	1	..	1
27	58400-2	Leading Edge Stabilizer—L.H.....	1	..	1
28	38425	Rib—Outer Intermediate Stabilizer.....	1	..	1
29	28424	Tip Rib—Stabilizer	1	..	1
30	48452	Stabilizer Tip Assembly.....	1	1	2
31	38423	Front Stabilizer Spar.....	1	..	1
32	38409-2	Rear Stabilizer Spar.....	1	..	1
33	AN366-F428	Nut Plate	1	1	2
34	18416	Hinge Bracket	1	1	2
35	AN4-4A	Bolt	1	1	2
36	AN960-716	Washer (Placed as shown).....	10	10	20

SILVAIRE AIRCRAFT COMPANY, FORT COLLINS, COLORADO

STABILIZER AND ELEVATOR ASSEMBLY — (Continued)

Ref. No.	Part No.	Description	Parts Required		
			Left	Right	Total
37	18441	Hinge Pin	2	2	4
38	AN320-3	Shear Nut	1	1	2
38A	AN380-2-2	Cotter Pin	1	1	2
39	AN3-6	Bolt	1	1	2
40	18436	Shim—Stabilizer Front Spar—Bottom (Used on Airplanes 1934 through 5074)	1
41	18413	Hinge Nut Plate Assembly.....	1	1	2
42	29108	Front Stabilizer Attach. Fitting.....
43	AN4-31A	Bolt	1
44	AN365-428	Nut	1
45	18416	Hinge Bracket	1	1	2
46	AN3-7A	Bolt	1	1	2
47	AN3-7	Bolt	1	1	2
47A	AN960-10	Washer	1	1	2
48	18441	Hinge Pin	1	1	2
49	AN365-1032	Nut	1	1	2
49A	AN960-10	Washer	1	1	2
50	085022-2	Left Top or Right Bottom Elevator Leading Edge.....	1	1	2
51	AN3-15	Bolt	1	1	2
51A	AN960-10	Washer	1	1	2
52	18410	Outboard Elevator Hinge.....	1	1	2
53	AN960-10	Washer	1	1	2
54	AN310-3	Nut	1	1	2
55	AN380-2-2	Cotter Pin	1	1	2
56	085022-3	Right Top or Left Bottom Elevator Leading Edge.....	1	1	2
57	085022-8	Shim—Elevator Assembly	1	1	2
58	18407	Spar—Elevator	1	1	2
59	18405	Sub Spar—Elevator	1	1	2
		(Note: Sub Spar eliminated on Elevator Assembly for Aircraft Serial No. 3964 and Subs.)			
60	085022-6	Bottom Elevator Skin—L.H.....	1	..	1
61	085022-4	Top Elevator Skin—L.H.....	1	..	1
62	285007	Elevator Rib—L.H. (For Tab Installation).....	1	..	1
		(Note: Rib eliminated on Elevator Assembly for Aircraft Serial No. 3964 and Subs.)			
63	18581	Clamp Attachment—Tab Control.....	1	..	1
64	285029	Hinge—Tab Control	1	..	1
65	AN365-832	Nut	1	..	1
66	AN365-1032	Nut	1	..	1
67	AN960-10L	Washer	1	..	1
68	AN960-8	Washer	1	..	1
69	18579	Horn—Tab Control	1	..	1
70	485023	Elevator Trim Tab Assembly—Complete.....	1	..	1
		(Assembly includes the following parts from Figure No. 12: Parts Ref. Nos. 64, 65, 66, 67, 68, 69, 71, 72, 73, 73A, 74 75, and 76.)			

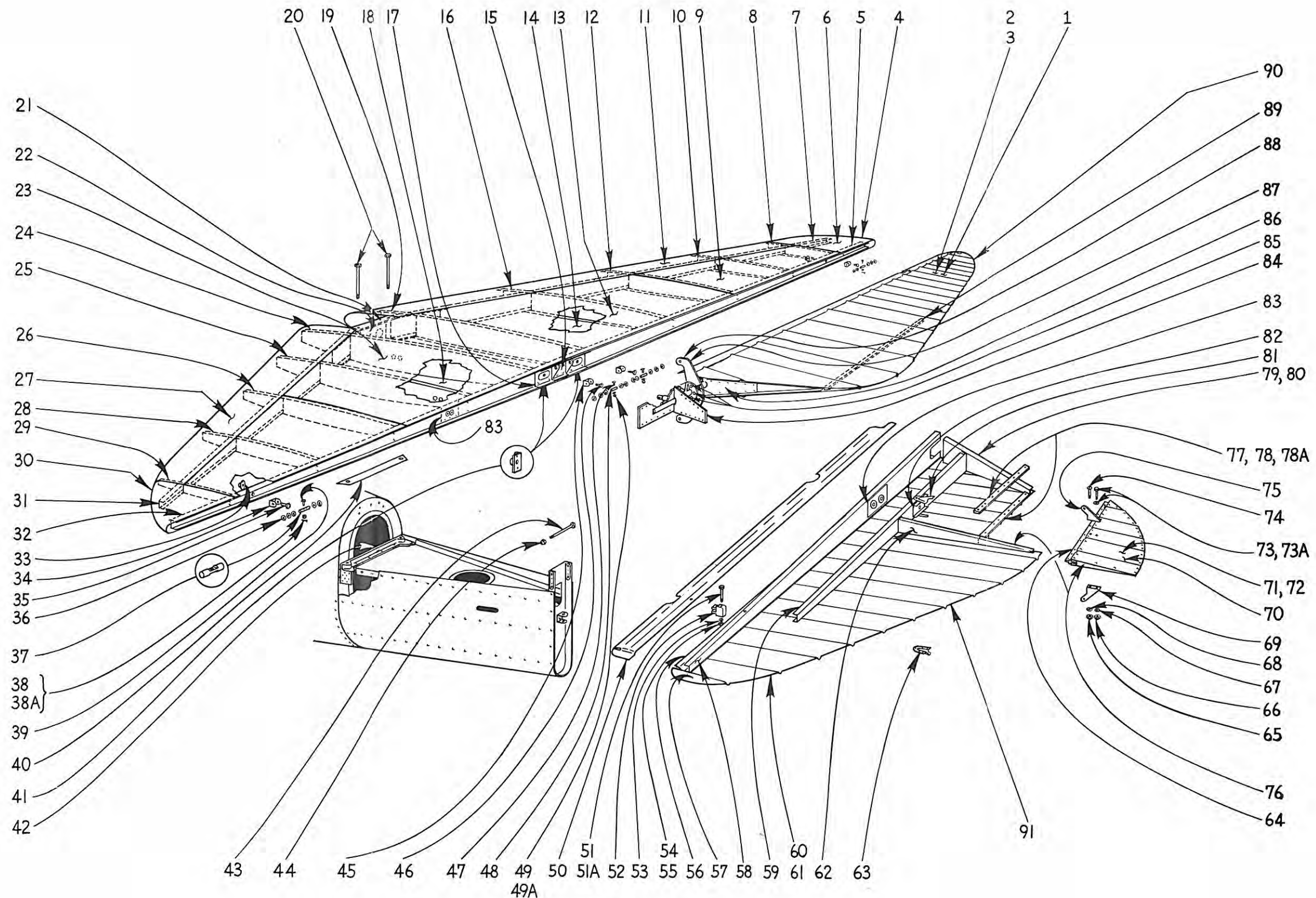


FIGURE No. 12
STABILIZER & ELEVATOR ASSEMBLY

SILVAIRE AIRCRAFT COMPANY, FORT COLLINS, COLORADO

STABILIZER AND ELEVATOR ASSEMBLY — (Continued)

Ref. No.	Part No.	Description	Parts Required		
			Left	Right	Total
71	485028	Top Skin—Trim Tab.....	1	..	1
72	485029	Bottom Skin—Trim Tab.....	1	..	1
73	AN3-10	Bolt	1	..	1
73A	AN960-10	Washer	1	..	1
74	AN515-8-12	Screw	1	..	1
75	18579-1	Horn—Tab Control	1	..	1
76	185026	Filler Block—Trim Tab..... (Required on Tab Assembly. Also used in place of Rib (Ref. No. 62) on Aircraft Serial No. 3964 and Subs.)	1	..	1
77	085022-9	Filler Strip	1	..	1
78	085022-10	Filler Strip	1	..	1
		(Note: Above two parts reference Nos. 77 and 78 are replaced on Aircraft Serial No. 3964 and Subs by the following part reference No. 78A.)			
78A	085022-12	Filler Strip—Trim Tab.....	2	..	2
79	18412-2	Rib—Elevator—L.H.	1	..	1
80	18412	Rib—Elevator—R.H.	1	1
81	18581	Clamp Attach.—Tab Control.....	1	..	1
82	18582	Reinforcement—Auxiliary Spar—Elevator	1	..	1
		(See Note under Parts Reference No. 59.)			
83	18587	Reinforcement Plate—Elevator and Stabilizer Spars.....	2	..	2
84	28463	Bracket Assembly—Elevator Horn.....	1	..	1
85	AN3-6A	Bolt	3
85	AN960-10	Washer	3
85	AN365-1032	Nut	3
86	28463	Bracket Assembly—Elevator Horn.....	..	1	1
87	18462	Horn—Elevator	1
88	48456	Horn Assembly—Elevator	1
		(Assembly includes the following parts from Figure No. 12: Parts Ref. Nos. 85, 86, 87, 88.) (Note: This assembly replaces one piece all welded horn assembly installed on Aircraft Serial No. 800 to 3300. Standard on Aircraft Serial No. 3300 and Subs.)			
89	085022-13	Filler Strip	1
		(Replaces Sub Spar—Ref. No. 59 on Aircraft Serial No. 3964 and Subs.)			
90	085021-200	Elevator Assembly—Right Side.....	..	1	1
		(Assembly includes the following parts from Figure No. 12: Parts Ref. Nos. 2, 3, 50, 51, 51A, 52, 53, 54, 55, 56, 57, 58, 80, 86, 89.)			
91	085021-100	Elevator Assembly—Left Side.....	1	..	1
		(Assembly includes the following parts from Figure No. 12: Parts Ref. Nos. 50, 51, 51A, 52, 53, 54, 55, 56, 57, 58, 60, 61, 63, 70, 78A, 79, 81, 83, 84.)			

STABILIZER AND BEZEL ATTACHMENT - CONTINUED

Part No.	Description	QTY
100-1001	Bracket	1
100-1002	Bracket	1
100-1003	Bracket	1
100-1004	Bracket	1
100-1005	Bracket	1
100-1006	Bracket	1
100-1007	Bracket	1
100-1008	Bracket	1
100-1009	Bracket	1
100-1010	Bracket	1
100-1011	Bracket	1
100-1012	Bracket	1
100-1013	Bracket	1
100-1014	Bracket	1
100-1015	Bracket	1
100-1016	Bracket	1
100-1017	Bracket	1
100-1018	Bracket	1
100-1019	Bracket	1
100-1020	Bracket	1
100-1021	Bracket	1
100-1022	Bracket	1
100-1023	Bracket	1
100-1024	Bracket	1
100-1025	Bracket	1
100-1026	Bracket	1
100-1027	Bracket	1
100-1028	Bracket	1
100-1029	Bracket	1
100-1030	Bracket	1
100-1031	Bracket	1
100-1032	Bracket	1
100-1033	Bracket	1
100-1034	Bracket	1
100-1035	Bracket	1
100-1036	Bracket	1
100-1037	Bracket	1
100-1038	Bracket	1
100-1039	Bracket	1
100-1040	Bracket	1
100-1041	Bracket	1
100-1042	Bracket	1
100-1043	Bracket	1
100-1044	Bracket	1
100-1045	Bracket	1
100-1046	Bracket	1
100-1047	Bracket	1
100-1048	Bracket	1
100-1049	Bracket	1
100-1050	Bracket	1
100-1051	Bracket	1
100-1052	Bracket	1
100-1053	Bracket	1
100-1054	Bracket	1
100-1055	Bracket	1
100-1056	Bracket	1
100-1057	Bracket	1
100-1058	Bracket	1
100-1059	Bracket	1
100-1060	Bracket	1
100-1061	Bracket	1
100-1062	Bracket	1
100-1063	Bracket	1
100-1064	Bracket	1
100-1065	Bracket	1
100-1066	Bracket	1
100-1067	Bracket	1
100-1068	Bracket	1
100-1069	Bracket	1
100-1070	Bracket	1
100-1071	Bracket	1
100-1072	Bracket	1
100-1073	Bracket	1
100-1074	Bracket	1
100-1075	Bracket	1
100-1076	Bracket	1
100-1077	Bracket	1
100-1078	Bracket	1
100-1079	Bracket	1
100-1080	Bracket	1
100-1081	Bracket	1
100-1082	Bracket	1
100-1083	Bracket	1
100-1084	Bracket	1
100-1085	Bracket	1
100-1086	Bracket	1
100-1087	Bracket	1
100-1088	Bracket	1
100-1089	Bracket	1
100-1090	Bracket	1
100-1091	Bracket	1
100-1092	Bracket	1
100-1093	Bracket	1
100-1094	Bracket	1
100-1095	Bracket	1
100-1096	Bracket	1
100-1097	Bracket	1
100-1098	Bracket	1
100-1099	Bracket	1
100-1100	Bracket	1

STABILIZER ASSEMBLY

FIGURE NO. 12A

Ref. No.	Part No.	Description	Parts Required		
			Left	Right	Total
1	38483-3	Rear Spar.....	..	1	1
2	38483-10	Rear Spar Assembly (Consists of Items 1, 21, 12).....	..	1	1
3	19421	Rear Attach Bracket.....	1
4	28418-2	Rear Spar Center Channel.....	1
5	38477-2	Center Spar.....	1	1	2
6	28475	Beam.....	1
7	38476	Ribs.....	1	1	2
8	48481	Beam Assembly..... (Consists of Items 6 & 9 from Fig. 12A, Item 42 Fig 15, Item 77 Fig. 18)	1
9	18482	Reinforcement.....	1	1	2
10	AN4-37A	Bolt.....	1	1	2
11	58472-2	Skin.....	1 top
12	AN931-A6-10	Grommets.....	4
13	18473	Nose Rib—Inboard.....	1	1	2
14	18474	Nose Rib—Outboard.....	1	1	2
15	58472-4	Leading Edge Skin.....	1	..	1
16	38478	Front Spar.....	1	1	2
17	38477-2	Center Spar.....	..	1	1
18					
19	38483-2	Rear Spar.....	..	1	1
20	38483-20	Rear Spar Assembly (Consist of Items 19, 21, 12).....	..	1	1
21	AN366-F428	Nut.....	1	1	2
22	28479	Tip.....	1	1	2
23	18416	Hinge Bracket.....	1	1	2
24	AN4-5A	Bolt.....	1	1	2
25	AN960-716	Washer.....	5	5	10
26	18441	Hinge Pin.....	1	1	2
27	AN320-3	Nut.....	1	1	2
27A	AN380-2-2	Cotter Pin.....	1	1	2
28	AN3-6	Bolt.....	1	1	2
29	18413	Plate.....	1	1	2
30	58472-2	Skin.....	1 bottom
31	AN320-3	Nut.....	1	1	2
31A	AN380-2-2	Cotter Pin.....	1	1	2
32	AN441	Hinge Pin.....	1	1	2
33	AN960-716	Washer.....	5	5	10
34	AN3-6	Bolt.....	1	1	2
35	AN4-5A	Bolt.....	1	1	2
36	18416	Hinge Bracket.....	1	1	2
37	58472-5	Leading Edge Skin.....	..	1	1

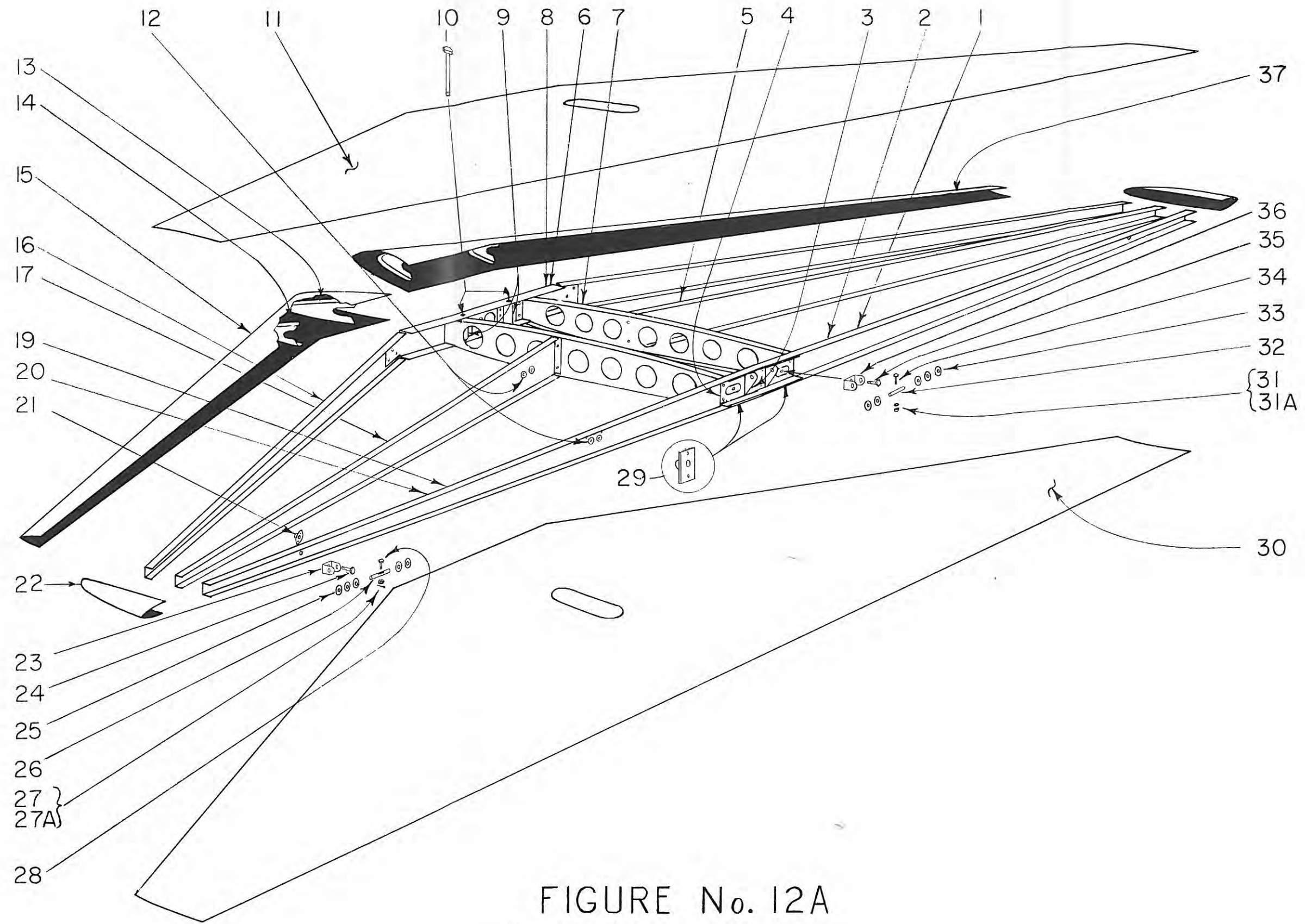


FIGURE No. 12A
STABILIZER ASSEMBLY

AILERON ASSEMBLY

FIGURE No. 13

Ref. No.	Part No.	Description	Parts Required		
			Left	Right	Total
1	58273	Aileron Assembly—L.H.	1	..	1
2	58273-1	Aileron Assembly—R.H.	1	1
3	582035	Aileron Top Skin—L.H.....	1	..	1
4	582035-1	Aileron Top Skin—R.H.....	..	1	1
5	38271-00	Spar Assembly—Aileron—L.H. (Assembly includes the following parts from Figure No. 13: Parts Ref. Nos. 7, 12, 14, 15, 16, 17, 18, 23, 25, 37, 42, 44.)	1	..	1
6	38271-100	Spar Assembly—Aileron—R.H. (Assembly includes the following parts from Figure No. 13: Parts Ref. Nos. 8, 12, 14, 15, 17, 18, 23, 24, 37, 42, 43.)	..	1	1
7	38271-3	Aileron Spar—L.H.	1	..	1
8	38271-4	Aileron Spar—R.H.	1	1
9	182032	Reinforcement—Aileron	2	2	4
10	58273-6	Trim Tab—(L.H. Only).....	1	..	1
11	18832-3	Angle—Aileron Horn	1	1	2
12	18832	Aileron Horn Assembly.....	1	1	2
13	18832-2	Aileron Horn	1	1	2
14	AN3-5	Bolt	1	1	2
15	AN365-1032	Nut	1	1	2
16	48272-8	Aileron Rib—Tip Outboard Leading Edge.....	1	1	2
17	48272-6	Aileron Rib—Center and Inboard L. E.....	1	1	2
18	18279	Aileron Hinge—Center—(Male)	1	1	2
		(Hinge consists of parts No. 18268-2 Tee and No. S-82 Ball Bearing.)			
19	AN23-13	Bolt	1	1	2
20	AN960-10	Washer	2	2	4
21	AN320-3	Nut	1	1	2
22	AN380-2-2	Cotter Pin	1	1	2
23	18270	Aileron Hinge—Tip Outboard—(Male).....	1	1	2
		(Hinge consists of Part No. 18270-2 Plate and No. S-82 Ball Bearing.)			
24	48272-2	Aileron Rib—Tip Outboard—L.H.....	1	..	1
25	48272-3	Aileron Rib—Tip Outboard—R.H.....	..	1	1
26	58283-2	Leading Edge—Aileron Top—L.H.	1	..	1
26A	58283-1	Leading Edge—Aileron Top—R.H.	1	1
27	58283-4	Leading Edge—Aileron Bottom Outboard—L.H.....	1	..	1
27A	58283-3	Leading Edge—Aileron Bottom Outboard—R.H.....	..	1	1
28	#4x1/4"	Type A Parker-Kalon Screw—Stove Head.....	48	48	96
29	282161	Closeout Strip—Aileron Outboard—L.H.....	1	..	1
		(Note: On metal wing only.)			
29A	282161-1	Closeout Strip—Aileron Outboard—R.H.....	..	1	1
		(Note: On metal wing only.)			
30	18812	Stiffener—L.E.—Center	2	2	4
31	282160	Closeout Strip—Aileron Inboard—L.H./R.H.....	1	1	2

SILVAIRE AIRCRAFT COMPANY, FORT COLLINS, COLORADO

AILERON ASSEMBLY — (Continued)

Ref. No.	Part No.	Description	Parts Required		
			Left	Right	Total
32	58283-6	Leading Edge—Aileron Bottom Inboard—L.H.....	1	..	1
32A	58283-5	Leading Edge—Aileron Bottom Inboard—R.H.....	..	1	1
33	AN23-17	Bolt	1	1	2
34	AN960-10	Washer	2	2	4
35	AN320-3	Nut	1	1	2
36	AN380-2-2	Cotter Pin	1	1	2
37	48272-6	Aileron Rib—Center and Inboard L.E.....	3	3	6
38	AN23-17	Bolt	1	1	2
39	AN960-10	Washer	2	2	4
40	AN320-3	Nut	1	1	2
41	AN380-2-2	Cotter Pin	1	1	2
42	18269	Aileron Inboard Hinge—(Male)..... (Hinge consists of Part No. 18269-2 Tee and S-82 Ball Bearings.)	1	1	2
43	48272-4	Root Trailing Edge Rib—L.H.....	1	..	1
44	48272-5	Root Trailing Edge Rib—R.H.....	..	1	1
45	582036	Bottom Skin—Aileron—L.H.	1	..	1
46	582036-1	Bottom Skin—Aileron—R.H.	1	1

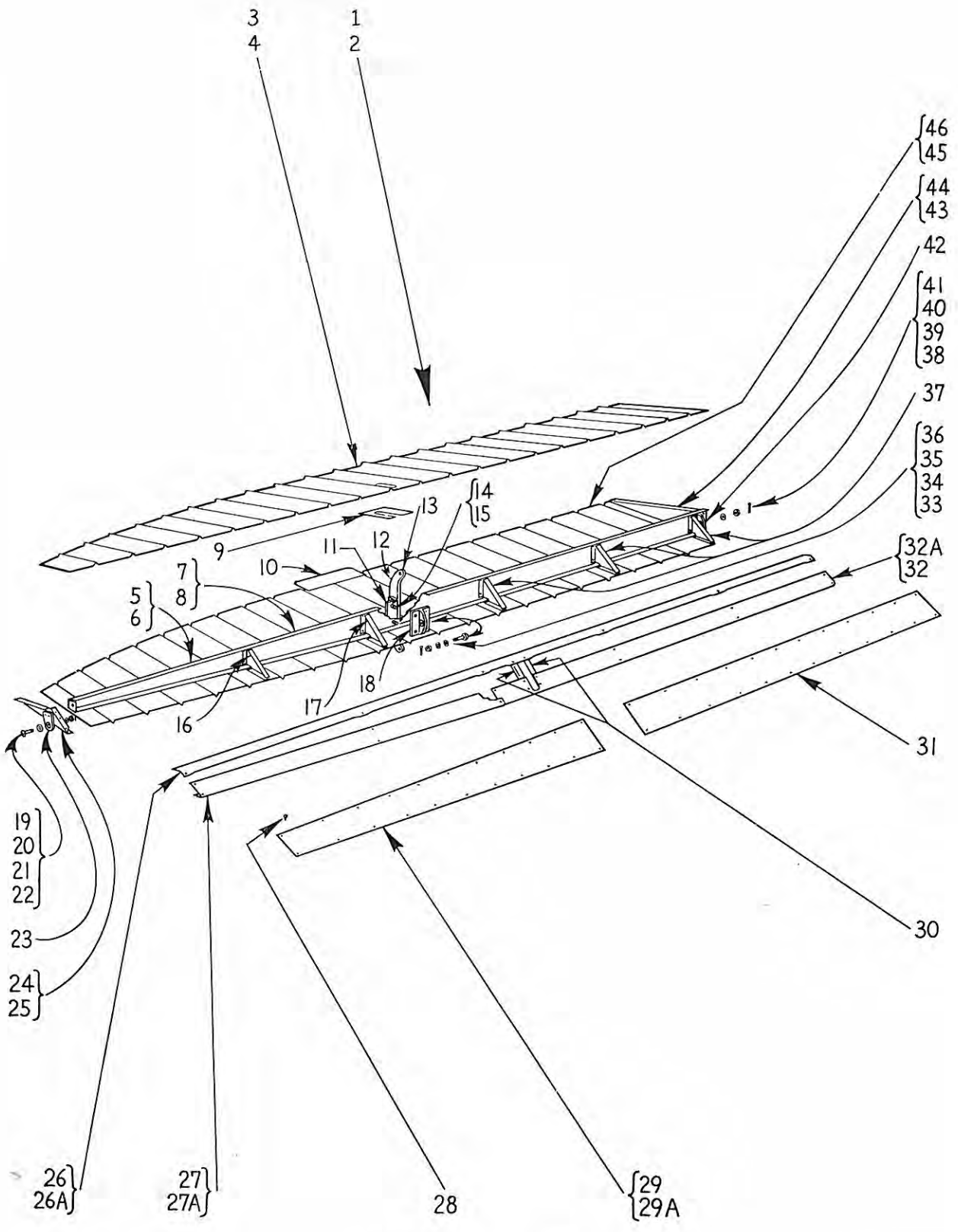


FIGURE No. 13
AILERON

RUDDER CONTROL

FIGURE No. 14

Ref. No.	Part No.	Description	Parts Required		
			Left	Right	Total
1	AN960-10	Washer	1	1
2	AN365-1032	Nut	1	1
3	18512-3	Bearing—Pillow Block—Lower.....	..	1	1
4	AN3-25A	Bolt—(Brazed to Support).....
5	AN161-22RS	Fork	1	1
6	285013-5	Rudder Cable Assembly—R.H.....	..	1	1
7	28509-1	Support—Control Bearing—R.H.....	..	1	1
8	19518P	Pad—Rudder Pedal	2	2	4
9	28534-3	Rudder Pedal—Front—R.H.	1	1
10	AN3-13A	Bolt	1	1
11	18512-2	Bearing—Pillow Block—Upper.....	..	1	1
12	AN365-1032	Nut	2	2
13	AN365-1032	Nut	1	..	1
14	AN960-10	Washer	1	..	1
15	28534-2	Rudder Pedal—Back—L.H.	1	..	1
16	AN3-13A	Bolt	1	..	1
17	08511-10	Spring	2
18	08511-11	Link	1
19	AN42-6	Eye Bolt	2
20	AN960-10	Washer	4	4	8
21	AN365-1032	Nut	2	..	2
22	18512-2	Bearing—Pillow Block—Upper.....	1	..	1
23	AN365-1032	Nut	2
24	AN520-10-8	Screw	1
25	AN960-10	Washer	1
26	AN365-1032	Nut	1
27	28516	Front Rudder Shaft Assembly.....	1
28	28536	Rear Rudder Shaft Assembly.....	1
29	18512-3	Bearing—Pillow Block—Upper.....	1	..	1
30	AN3-25A	Bolt—(Brazed to Support).....
31	AN3-5	Bolt	1	1	2
32	AN380-2-2	Cotter Pin	1	1	2
33	AN310-3	Nut	1	1	2
34	AN960-3	Washer	1	1	2
35	AN161-22RS	Fork	1	..	1
36	AN155-32S	Barrel—Turnbuckle	1	1	2
37		.040 Brass Safety Wire.....	1	1	2
38	AN669-S4L	Cable Terminal	1	1	2
39	28509	Support—Control Bearing—L.H.	1	..	1
40	285013-4	Rudder Cable Assembly—L.H.....	1	..	1
41	A-120	Pulley	2

SILVAIRE AIRCRAFT COMPANY, FORT COLLINS, COLORADO

RUDDER CONTROL — (Continued)

Ref. No.	Part No.	Description	Parts Required		
			Left	Right	Total
42	AN365-1032	Nut	1
43	AN4-14A	Bolt	1
44	.040	Welding Rod—(Cable Guard).....	1
45	18531	Rudder Pulley Bracket.....	1
46	AN960-10	Washer	1
47	AN3-4A	Bolt	1
48	AN960-4	Washer	1
49	AN365-428	Nut	1
50	AN23-10	Bolt	1	1	2
51	AN960-10	Washer	1	1	2
52	AN667-4	Cable Terminal	1	1	2
53	AN960-10L	Washer	2	2	4
54	AN310-3	Nut	1	1	2
55	AN380-2-2	Cotter Pin	1	1	2
56	AN3-4A	Bolt	2
57	AN960-10	Washer	1	1	2
58	AN365-1032	Nut	1	1	2
59	28099	Rudder Pulley Bracket Assembly—Complete..... (Assembly includes the following parts from Figure No. 14: Parts Ref. Nos. 56 to 70, incl.)	1
60	A-167-SF	Pulley	1
61	AN4-10	Bolt	1
62	AN960-416	Washer	1	1	2
63	AN960-416	Washer	1	1	2
64	28099-4	Wire Guard	1	1	2
65	A-167-SF	Pulley	1
66	AN211-2	Bushing—Pulley	1	1	2
67	AN960-616	Washer	1	1	2
68	AN960-416	Washer	1	1	2
69	AN310-4	Nut	1	1	2
70	AN380-2-4	Cotter Pin	1	1	2

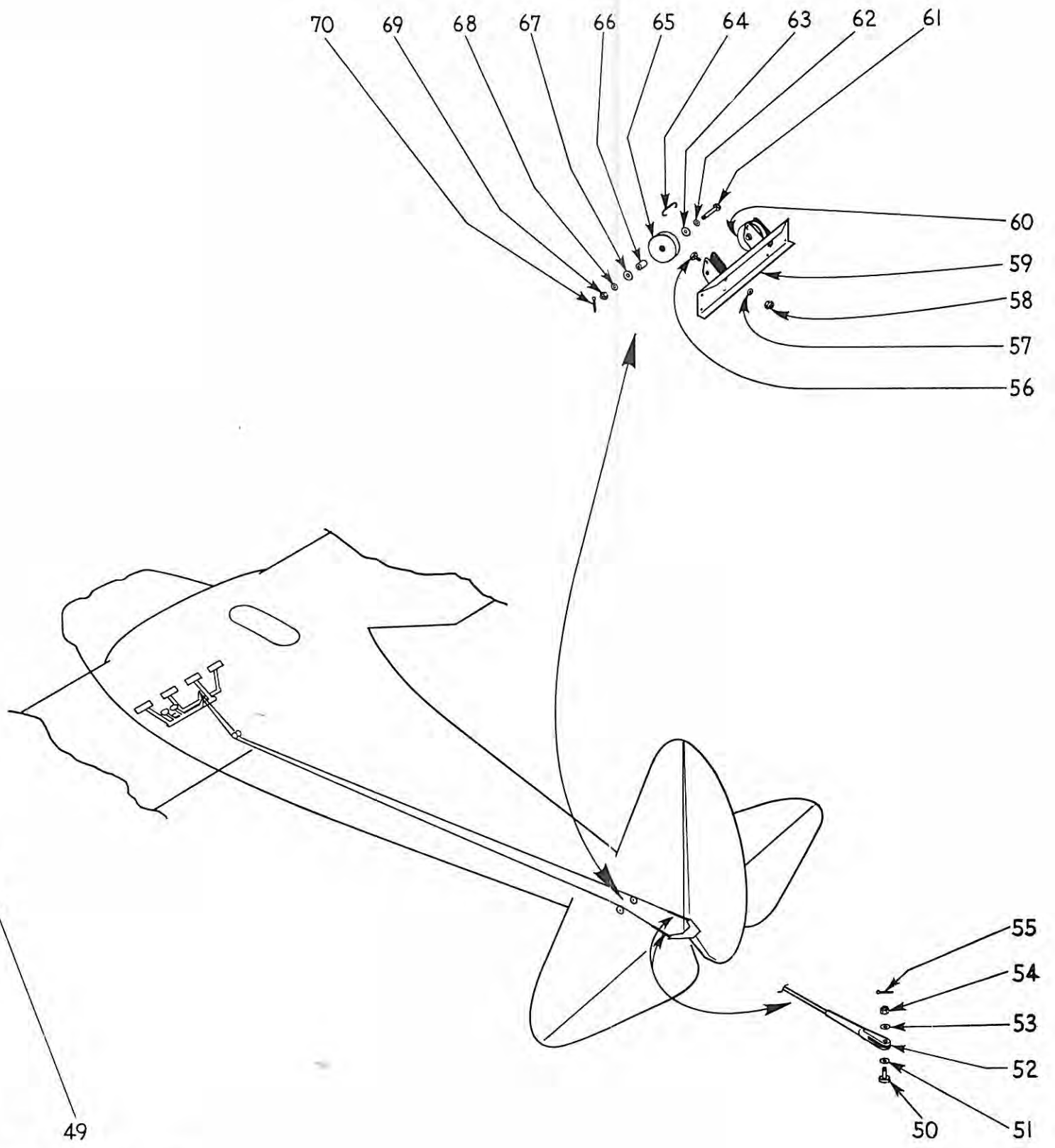
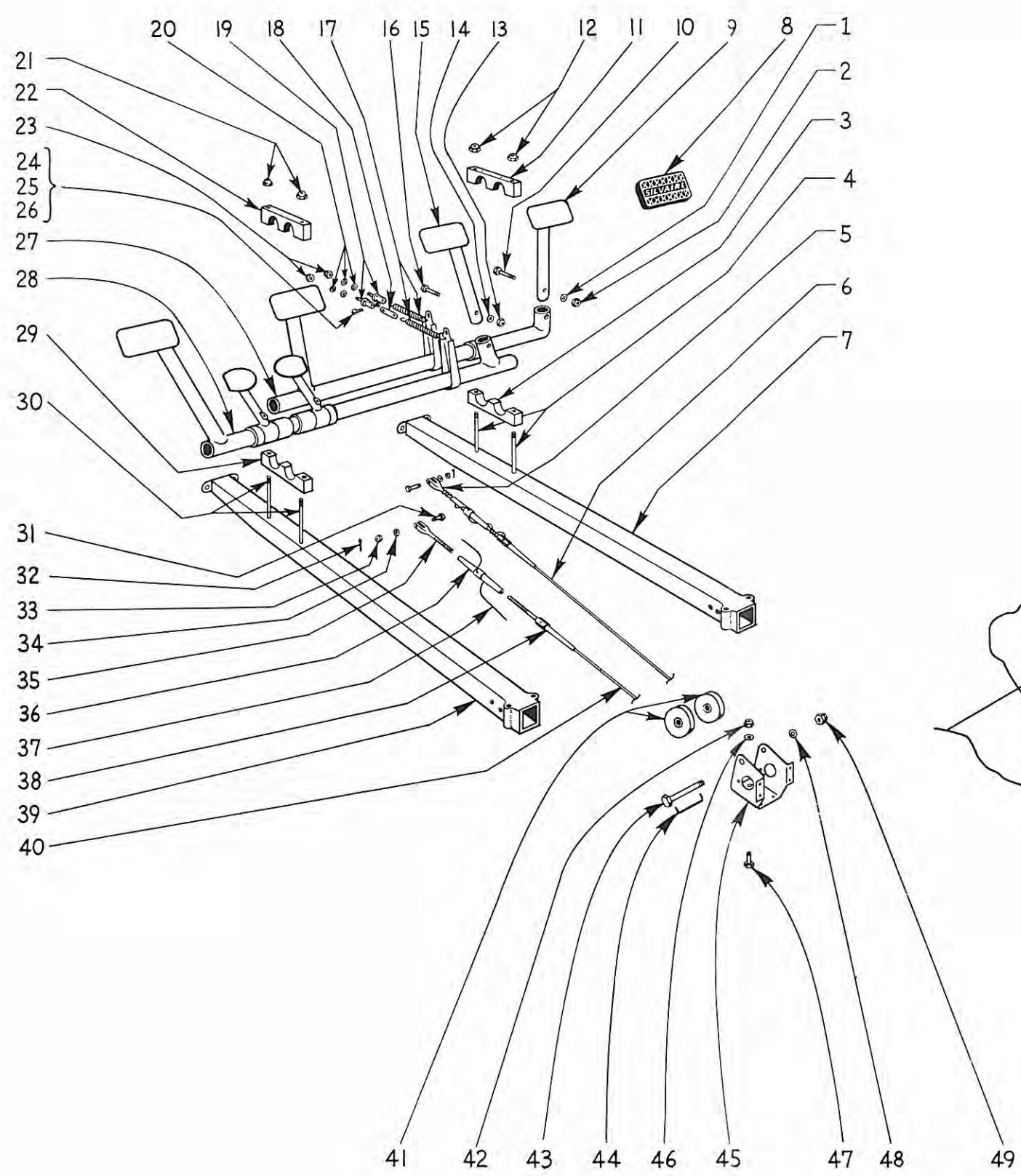


FIGURE No. 14
RUDDER CONTROL

ELEVATOR CONTROL

FIGURE No. 15

Ref. No.	Part No.	Description	Parts Required		
			Left	Right	Total
1	18529	Bearing—Elevator Torque Tube.....	1	1	2
2	AN315-4R	Nut	1
3	AN520-416-44	Screw	1
4	AN4-7	Bolt	1
5	AN394-17	Clevis Pin	1
6	285064-3	Bushing—Elevator Bellcrank	1
7	AN960-416	Washer	1
8	AN380-2-3	Cotter Pin	1
9	285046-3	Bushing—Elevator Bellcrank.....	1
10	AN4-20	Bolt	1
11	585042	Torque Shaft Control Assembly.....	1
12	285068	Stop Horn—Elevator Control.....	1
13	28509-100	Support Assembly—Bearing Control—R.H.....	..	1	1
14	28509-00	Support Assembly—Bearing Control—L.H.....	1	..	1
15	AN380-2-3	Cotter Pin	1
16	AN310-4	Nut	1
17	18525	Control Horn—Elevator	1
18	18528	Push Pull Rod—Elevator.....	1
19	AN365-428	Nut	1
20	AN394-19	Clevis Pin	1
21	285064-2	Bushing—Elevator Bellcrank	1
22	AN394-17	Clevis Pin	1
23	285064-3	Bushing—Elevator Bellcrank.....	1
24	285064	Elevator Bellcrank	1
25	AN960-416	Washer	1
26	AN960-416	Washer	1
27	AN380-2-3	Cotter Pin	1
28	AN380-2-3	Cotter Pin	1
29	AN161-32R.L.	Fork	2
30		.040 Brass Safety Wire.....	2
31	AN155-32L	Barrel—Turnbuckle	2
32	AN669-L4LH	Terminal—Cable	2
33	285012	Elevator Cable (Thru Serial No. 4199).....	1
33A	285012-10	Elevator Cable (Serial No. 4200 & on).....	1
34	285012	Elevator Cable (Thru Serial No. 4199).....	1
34A	285012-10	Elevator Cable (Serial No. 4200 & on).....	1
35	AN380-2-2	Cotter Pin.....	1
36	AN320-3	Nut.....	1
37	AN667-4	Terminal—Cable.....	1
38	AN23-10	Clevis Bolt.....	2
39	AN365-428	Nut.....	1
40	AN960-416	Washer.....	1
41	AN210-3A	Pulley.....	1

SILVAIRE AIRCRAFT COMPANY, FORT COLLINS, COLORADO

ELEVATOR CONTROL — (Continued)

Ref. No.	Part No.	Description	Parts Required		
			Left	Right	Total
42	18414	Pulley Bracket—Elevator Control.....	1
43	AN210-3A	Pulley	1
44	AN4-14A	Bolt	1
45	28099-4	Wire Guard—Cable	1
		(Note: Parts Ref. Nos. 39 to 45, Inc., Located on Front Spar of Stabilizer.)			
46	AN960-616	Washer	1
47	18532-2	Wire Guard—Cable	1
48	18532-4	Bushing	1
49	AN960-616	Washer	1
50	AN365-428	Nut	1
51	AN960-416	Washer	1
52	18558	Pulley Bracket	1
53	AN960-616	Washer	1
54	A-167	Pulley	1
55	18558	Pulley Bracket	1
56	AN960-416	Washer	1
57	AN4-14A	Bolt	1
		(Note: Parts Ref. Nos. 46 to 57, Incl., Located on Lower No. 3 Blkd.)			

AILERON CONTROL

FIGURE No. 16

Ref. No.	Part No.	Description	Parts Required		
			Left	Right	Total
1	AN960-10	Washer	1	1	2
2	AN310-3	Nut	1	1	2
3	AN380-2-2	Cotter Pin	1	1	2
4	AN23-10	Clevis Bolt	1	1	2
5	285041	Rod—Push Pull	1
6	18529	Bearing—Elevator Torque Tube.....	..	1	1
7	AN960-10	Washer	2	2
8	AN365-1032	Nut	2	2
9	085014	Cable—Stick to Aileron—L.H.....	1	..	1
10	085014	Cable—Stick to Aileron—R.H.....	..	1	1
11	AN4-20A	Bolt	1	1	2
12	AN365-428	Nut	1	1	2
13	AN960-416	Washer	2	2	4
14	08522-3	Pulley Guard	1	1	2
15	AN211-2	Bushing—Pulley	1	1	2
16	A-120	Pulley	1	1	2
17	AN960-10	Washer	1	1	2
18	AN365-1032	Nut	1	1	2
19	AN380-2-2	Cotter Pin	1	1	2
	AN310-3	Nut	1	1	2
	AN960-10L	Washer	1	1	2
20	AN115-16	Cable Shackle	1	1	2
21	AN960-10L	Washer	1	1	2
	AN23-10	Clevis Bolt	1	1	2
22	5810	Stick Grip—Control	1	1
23	485043	Control Stick Assembly—Upper—8A.....	..	1	1
	485043-109	Control Stick Assembly—Upper—8E..... (Note: 485043-109 Control Stick is Chromium Plated.)	..	1	1
24	AN3-13A	Bolt	1	1	2
25	28508	Control Stick Assembly—Lower—R.H.....	..	1	1
26	AN365-524	Nut	1	1	2
27	AN960-516	Washer	1	1	2
28	08522-E.O. 1039-2	Bushing—Control Stick (Steel).....	1	1	2
29	AN5-17	Bolt	1	1	2
30	585042	Torque Shaft Assembly—Control.....	1
31	28509-1	Support—Bearing Control—R.H.	1	1
32	485043	Control Stick Assembly—Upper—8A.....	1	..	1
	485043-109	Control Stick Assembly—Upper—8E..... (Note: 485043-109 Control Stick is Chromium Plated.)	1	..	1
33	5810	Stick Grip—Control	1	..	1
34	28509	Support—Bearing Control—L.H.....	1	..	1
35	AN3-5	Bolt	2	2	4

SILVAIRE AIRCRAFT COMPANY, FORT COLLINS, COLORADO

AILERON CONTROL — (Continued)

Ref. No.	Part No.	Description	Parts Required		
			Left	Right	Total
36	AN960-10	Washer	2	2	4
37	AN365-1032	Nut	2	2	4
38	28508-4	Bolt—Lower Control Stick.....	1	1	2
39	AN315-4	Nut	1	1	2
40	28508	Control Stick Assembly—Lower—L.H.....	1	..	1
41	18529	Bearing—Elevator Torque Tube.....	1	..	1
42	AN960-416	Washer	2	2	4
43	AN365-428	Nut	2	2	4
44	AN4-16A	Bolt	2	..	2
45	AN960-10	Washer	2	..	2
46	AN365-1032	Nut	2	..	2
47	AN3-14A	Bolt	2	2	4
48	AN4-16A	Bolt	2	2
49	285014	Cable—Stick to Aileron—L.H.....
50	AN699-4LH	Cable Terminal—L.H.....	1	1	2
51		.040 Brass Safety Wire.....	1
52	AN155-32L	Barrel—Turnbuckle	1	1	2
53	AN161-22RL	Fork—Turnbuckle	1	1	2
54	AN960-10L	Washer	1	1	2
55	AN320-3	Nut	1	1	2
56	AN380-2-2	Cotter Pin	1	1	2
57	AN23-10	Clevis Bolt	1	1	2
58	285015	Cable Assembly—Aileron—Balance—(Fabric Wing).....	1
58A	285015-99	Cable Assembly—Aileron—Balance—(Metal Wing).....	1
59	AN667-4	Fork—Turnbuckle	1	1	2
60	AN960-10L	Washer	1	1	2
61	AN320-3	Nut	1	1	2
62	AN380-2-2	Cotter Pin	1	1	2
63	AN23-10	Clevis Bolt	1	1	2
64	AN4-14	Bolt	1	1	2
65	18518	Pulley Hanger	2	2	4
66	SP3-6-.658-29	Bushing	1	1	2
67	18518	Pulley Hanger	1	1	2
68	28216	Pulley Bracket Assembly—L.H..... (Assembly includes the following parts from Figure No. 16: Parts Ref. Nos. 65 to 79, incl. Assembly for Fabric Wing only.)	1	..	1
69	28216-1	Pulley Bracket Assembly—R.H.....	..	1	1
70	282069	Pulley Bracket—Only—L.H.	1	..	1
72	282069-1	Pulley Bracket—Only—R.H.	1	1
72	AN960-416	Washer	1	1	2
73	AN320-4	Nut	1	1	2
74	AN380-2-2	Cotter Pin	1	1	2

SILVAIRE AIRCRAFT COMPANY, FORT COLLINS, COLORADO

AILERON CONTROL — (Continued)

Ref. No.	Part No.	Description	Parts Required		
			Left	Right	Total
75	AN380-2-2	Cotter Pin	2	2	4
76	AN320-4	Nut	2	2	4
77	AN211-2	Bushing	2	2	4
78	AN4-8	Bolt	2	2	4
79	A-120	Pulley	2	2	4
80	AN392-23	Pin	4	4	8
81	AN380-2-2	Cotter Pin	4	4	8
82	282225	Lower Pulley Bracket.....	1	1	2
83	A-120	Pulley	1	1	2
84	282224	Upper Pulley Bracket.....	1	1	2
85	AN4-11A	Bolt	2	2	4
86	AN916-416	Washer	2	2	4
87	A-120	Pulley
88	1-304-2	Oilite Bearing	2	2	4
89	AN916-416	Washer	2	2	4
90	AN365-428	Nut	2	2	4
91	282227	Lower Pulley Bracket Assembly..... (Assembly includes the following parts from Figure No. 16: Parts Ref. Nos. 80, 81, 82, 85, to 90, incl. For all metal wing.)	1	1	2
92	282226	Upper Pulley Bracket Assembly..... (Assembly includes the following parts from Figure No. 16: Parts Ref. Nos. 80, 81, 83, 84, 85, 86, 88, 89, 90. For all metal wing.)	1	1	2
93	58020-10	Superstructure Vee—(Section View).....
94	181076	Pulley Bracket S.S. Vee.....
95	AN365-428	Nut	1	1	2
96	AN960-416	Washer	1	1	2
97	AN211-2	Bushing—Pulley	1	1	2
98	A-120	Pulley	1	1	2
99	181073	Bracket—Fairlead—L.H.	1	..	1
100	181073-1	Bracket—Fairlead—R.H.	1	1
101	AN340-6	Nut	2	2	4
102	AN935-6	Lock Washer	2	2	4
103	181075	Fairlead	2	2	4
104	AN515-6-8	Screw	2	2	4
105	AN4-11A	Bolt	1	1	2
106	18102	Fairlead—Aileron Cable	1	1	2
107	AN3-5	Bolt	1	1	2
107A	AN365-1032	Nut	1	1	2
108	285015	Cable—Aileron Balance
109	AN669-L4-R.H.	Cable Terminal	1	1
110	AN155-32L	Barrel—Turnbuckle	1
111		.040 Brass Safety Wire.....	1
112	AN669-L4-L.H.	Cable Terminal	1	..	1
113	285015	Cable—Aileron Balance

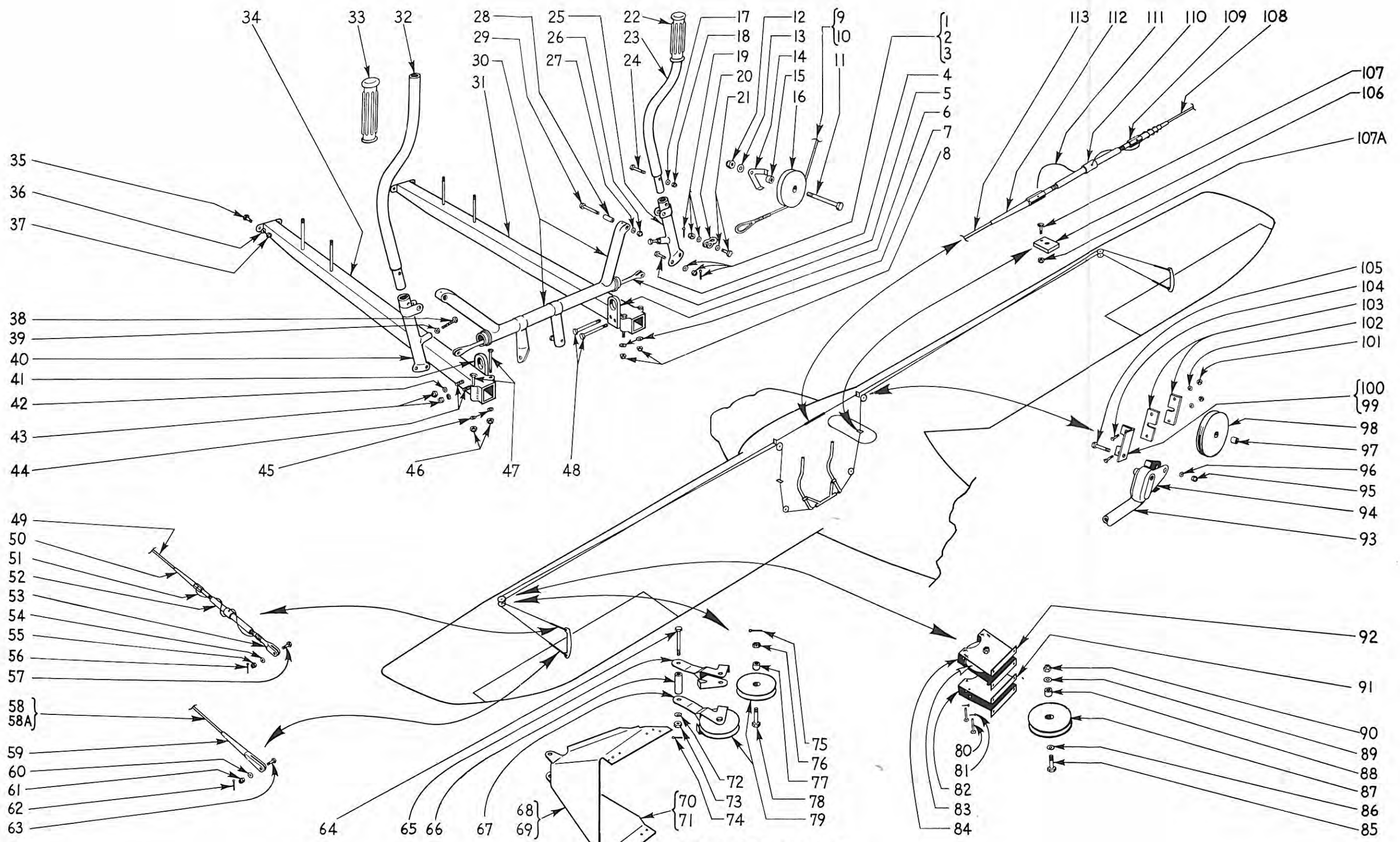


FIGURE No. 16
AILERON CONTROL

BRAKE CONTROL

FIGURE NO. 17

Ref. No.	Part No.	Description	Parts Required		
			Left	Right	Total
1	18550	Lever—Parking Brake.....	1
2	285076-5	Brake Cable Assembly—R.H.....	..	1	1
3	AN380-2-2	Cotter Pin—I.R.H.....	..	1	1
4	AN365-1032	Nut.....	..	1	1
5	AN960-10	Washer.....	..	1	1
6	AN3-4A	Bolt.....	..	1	1
8	AN742-3	Clamp.....	1
9	AN365-1032	Nut.....	1
11	AN3-25A	Bolt (Braze to Support).....
12		Parking Brake Cable Housing.....
13	18512-2	Pillow Block—Bearing—Upper.....
15	AN3-4A	Bolt.....	1	..	1
16	AN960-10	Washer.....	1	..	1
17	AN365-1032	Nut.....	1	..	1
18	AN380-2-2	Cotter Pin—I.L.H.....	1	..	1
19	285076-4	Brake Cable Assembly—L.H.....	1	..	1
20	185011	Bracket—Parking Brake.....	1
21		Servwell Parking Brake Control.....	1
22	19519-P	Brake Pedal Pad.....	1	1	2
23	AN515-6-8	Screw.....	2
24	AN742-3	Clamp.....	2
25	AN960-6	Washer.....	2
26	AN365-632	Nut.....	2
27	28514-15	Brake Pedal Assembly—R.H.....	..	1	1
28	28514-10	Brake Pedal Assembly—L.H.....	1	..	1
29	28536	Rear Rudder Shaft Assembly.....	1
30	18552-2	Micarta Block.....	1
31	#4x 1/4"	Type A—Parker-Kalon Screw—Stove Head.....	2	..	2
32	AN3-6A	Bolt.....	1
34	AN210-1B	Pulley.....	1	..	1
35	AN365-1032	Nut.....	1	..	1
36	185033	Bracket—Brake Pulley.....	1	..	1
37	18569-2	Bracket—Brake Pulley.....	1	..	1
38	AN365-1032	Nut.....	1	..	1
39	AN960-10	Washer.....	1	..	1
41	AN3-6A	Bolt.....	1	..	1
42	AN210-1B	Pulley.....	1	..	1
43	28509	Support Assembly—Bearing Control—L.H.....
44	28509-1	Support Assembly—Bearing Control—R.H.....

SILVAIRE AIRCRAFT COMPANY, FORT COLLINS, COLORADO

BRAKE CONTROL — FIGURE NO. 17 — (Continued)

Ref. No.	Part No.	Description	Parts Required		
			Left	Right	Total
45	AN365-1032	Nut.....	1	..	1
46	AN960-10	Washer.....	1	..	1
47	AN960-10	Washer.....	1	..	1
48	AN210-1B	Pulley.....	1	..	1
50	AN960-10	Washer.....	1	..	1
51	AN3-6A	Bolt.....	1	..	1
52	18569-3	Bracket—Brake Pulley.....	..	1	1
53	185033	Bracket—Brake Pulley.....	..	1	1
54	AN210-1B	Pulley.....	..	1	1
55	08511-8	Fairlead.....	..	1	1
56	AN515-6-24	Screw.....	..	2	2
58	AN3-6A	Bolt.....	..	1	1
60	AN3-7	Bolt.....	1	1	2
61	AN310-3	Nut.....	1	1	2
62	AN380-2-2	Cotter Pin.....	1	1	2
63	18512-2	Pillow Block—Bearing—Upper.....	1	1	2
63A	18512-3	Pillow Block—Bearing—Lower.....	1	1	2
64	AN340-6	Nut.....	..	2	2
65	AN365-1032	Nut.....	..	1	1
66	AN365-1032	Nut.....	1
67	AN960-10	Washer.....	2
68		Parking Brake Cable.....
69	AN960-10	Washer.....	1
70	18552-3	Bolt—Parking Brake.....	1
74	18863	Placard.....	1

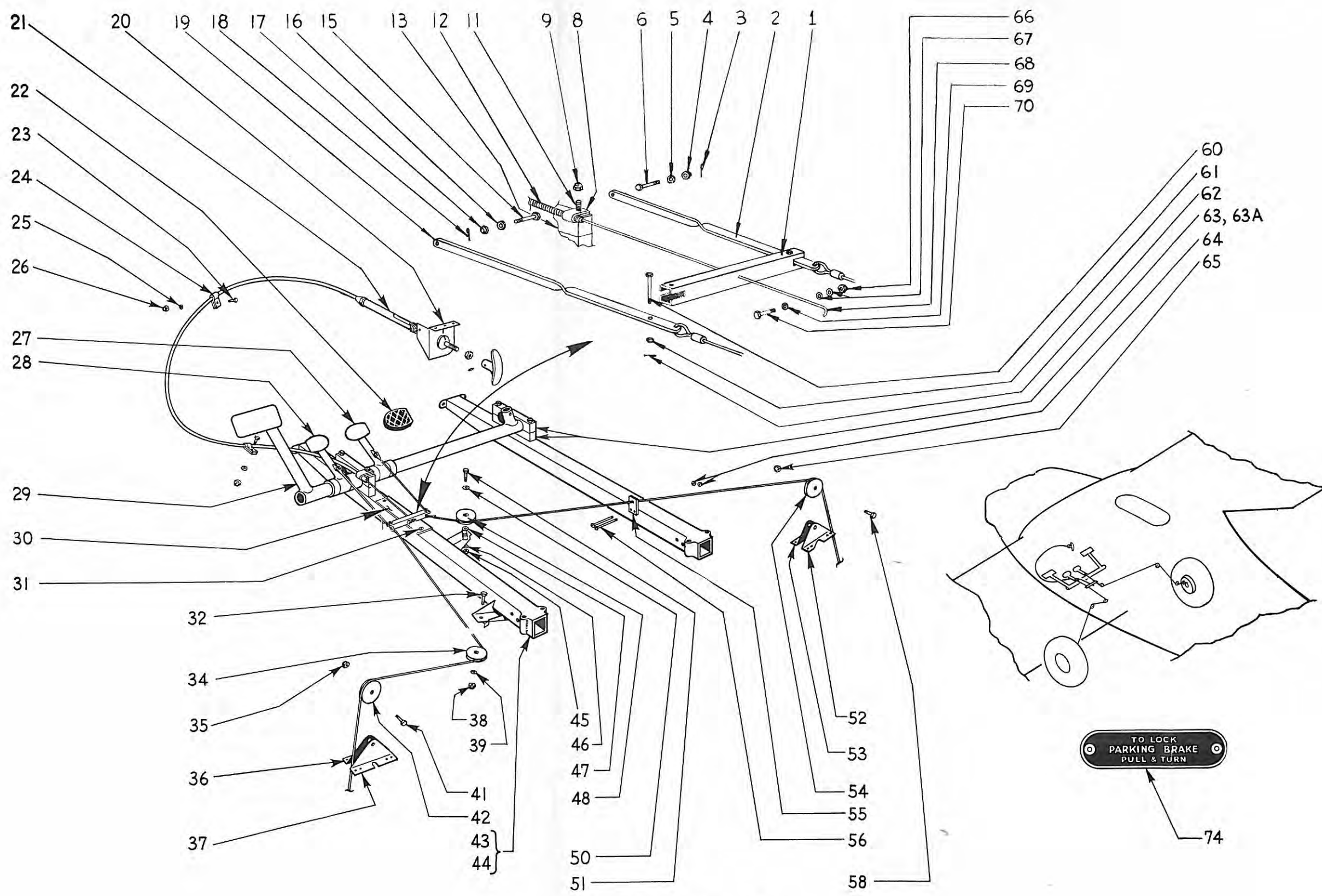


FIGURE No. 17
BRAKE CONTROL

TAB CONTROL AND TAIL WHEEL — 8A AND 8E

FIGURE No. 18

Ref. No.	Part No.	Description	Parts Required		
			L.	R.	Total
1		Tab Actuator Mechanism and Cover Assembly..... (Assembly includes the following parts from Figure No. 18; Part Ref. Nos. 2 to 43, inclusive.)	1
2	485063	Hood—Tab Control Mechanism.....	1
3	#4x 1/4"	Parker-Kalon Screw—Type A—Stove Head.....	14
4	185009	Tab Indicator Plate.....	1
5	185003	Cover—Tab Mechanism	1
6	185060	Tab Indicator Block.....	1
7	AN515-6-6	Screw	2
8	AN960-6	Washer	2
9	AN365-632	Nut	2
10	185059	Drive Shaft—Tab Mechanism.....	1
11	AN526-1032-4	Screw	1
	AN525-10-14	Screw—(Knob Attaching)	1
12	185037	Crank	1
13	185038	Knob	1
14	18597	Cable Guard	1
15	AN210-1B	Pulley	1
16	AN365-1032	Nut	1
17	AN960-10	Washer	2
18	AN3-6A	Bolt	1
19	AN315-4	Nut	1
20	AN960-416	Washer	1
21	AN935-416	Lock Washer.....	1
22	185051	Tab Indicator	1
23	185054	Indicator Bushing	1
24	185044	Bolt	1
25	485052	Actuator Assembly—Control Tab.....	1
26	285062	Channel (only)—Control Tab.....	1
27	185061	Shaft Guide—Tab Mechanism.....	2
28	AN960-416L	Washer—Tab Mechanism Shaft Stop.....	2
29	185001	Filler Block—Tab Mechanism.....	1
30	18594	Support—Tab Mechanism	3
31	AN510-10-8	Screw	2
32	AN960-10	Washer	2
33	AN365-1032	Nut	2
34	285039-10	Cable Assembly—Tab Actuator.....	1
35	AN960-8	Washer	2
36	18599	Cable Clip—Tab Actuator.....	1
37	AN365-1032	Nut	6

SILVAIRE AIRCRAFT COMPANY, FORT COLLINS, COLORADO

TAB CONTROL AND TAIL WHEEL — 8A AND 8E — (Continued)

Ref. No.	Part No.	Description	Parts Required		
			L.	R.	Total
38	AN960-10	Washer	6
39	AN515-10-8	Screw	6
40	AN515-8-12	Screw	2
41	AN960-8	Washer	2
42	AN365-832	Nut	2
43	AN8016-3-23	Casing—Cable	2
44	AN5-16	Bolt	1
45	AN310-5	Washer	1
46	AN960-10	Washer	1
47	AN380-2-3	Cotter Pin	1
48	2151	Connector Spring and Chain—(Scott).....	1
49	AN3-20A	Bolt	1
50	AN960-10	Washer	1
51	AN365-1032	Nut	1
52	28302	Tail Wheel Spring Assembly (Complete).....	1
53	48302-6	Main Leaf—Tail Wheel Spring.....	1
54	48302-7	Clip (Lower)—Tail Wheel Spring.....	1
55	AN3-17A	Bolt	1
56	AN960-10	Washer	1
57	AN365-1032	Nut	1
58	48302-2	Clip (Upper)—Tail Wheel Spring.....	1
59	AN6-12	Bolt	1
60	18387	Spacer—Tail Wheel Spring Assembly.....	1
61	Model 3-24B	Scott Tail Wheel Assembly.....	1
62	Model SFS-1-4	Maule Tail Wheel Assembly.....	1
63	AN380-3-5	Cotter Pin	1
64	AN310-6	Nut	1
65	1306	Adapter—Scott Tail Wheel.....	1
66	1478	Spacer Assembly Including Adapter (Ref. No. 65)—Scott Tail Wheel.....	1
67	AN8016-3-36	Casing—Tab Cable	1
68	AN667-2	Cable Terminal	2
69	AN23-8	Clevis Bolt	2
70	AN960-A10L	Washer	2
71	AN320-3	Nut	2
72	AN380-2-2	Cotter Pin	2
73	AN755-5	Clamp	2
74	AN520-8-6	Screw	2
75	AN935-8L	Lock Washer	2
76	AN345-8	Nut	2
77	185056	Angle Bracket	1
78	AN755-5	Clamp	2

TAB CONTROL AND TAIL WHEEL — 8A AND 8E — (Continued)

Ref. No.	Part No.	Description	Parts Required		Total
			L.	R.	
79	AN515-8-8	Screw	1
80	AN365-832	Nut	1
81		.040 Brass Safety Wire.....	2
82	AN155-8L	Turnbuckle Barrel	2
83	285040-10	Cable Assembly—(On Stabilizer).....	2
84	AN669-L2RH	Cable Terminal—R.H.	2
85	AN669-L2LH	Cable Terminal—L.H.	2
86	185055	Brace	1
87	AN755-5	Clamp	1
88	AN520-8-12	Screw	1
89	AN960-8	Washer	1
90	AN365-836	Nut	1
91	D501A	Lang Tail Wheel Assembly.....	1

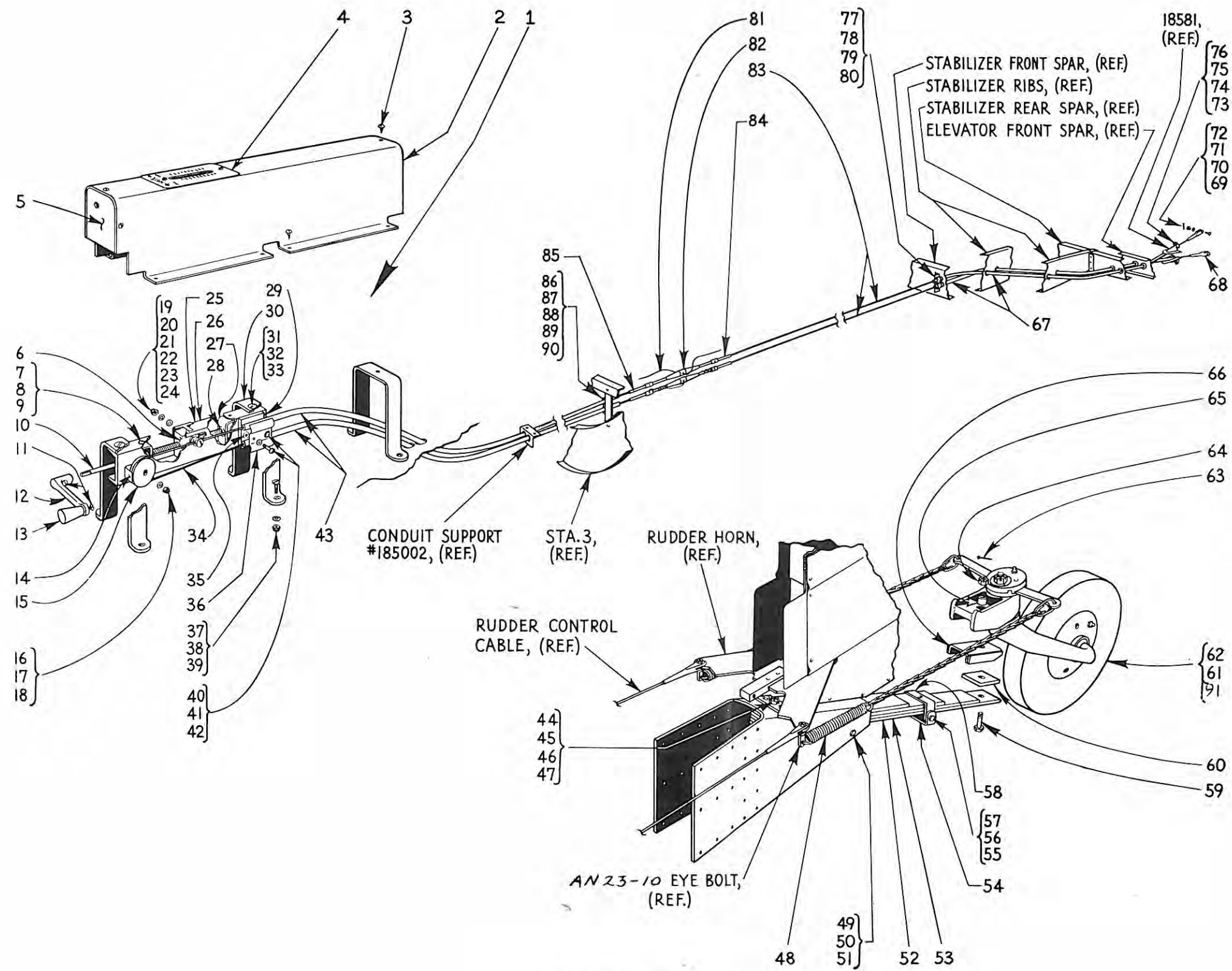


FIGURE 18
 TAB CONTROL AND TAIL WHEEL

BAFFLE SYSTEM — CONTINENTAL A-65 ENGINE**FIGURE No. 19**

Ref. No.	Part No.	Description	Parts Required		
			Left	Right	Total
1	086107	Engine Upright Baffle Assembly.....	1
2	086107-2	Engine Upright Baffle (Only).....	1
3	086107-3	Engine Upright Baffle Felt.....	1
4	18698-3	Clip—Baffle Attachment	1	1
5	AN515-6-8	Screw	1	1
6	AN960-6	Washer	2	2
7	AN935-6	Lock Washer	1	1
8	AN340-632	Nut	1	1
9	AN931-8-13	Rubber Grommet	1	1
10	AN515-6-8	Screw	1	1
11	AN960-6	Washer	2	2
12	AN935-6	Lock Washer	1	1
13	AN340-6	Nut	1	1
14	18697-1	Clip—Baffle Attachment—R.H.	1	1
15	18697-100	Engine Baffle Assembly—R.H.....	..	1	1
16	28689-1	Engine Baffle (Only).....	..	1	1
17	28689-3	Engine Baffle Felt.....	..	1	1
18	186003	Fin Baffle Assembly—Inboard.....	..	1	1
19	28696	Fin Baffle Assembly—Outboard.....	..	1	1
20	48683-2	Cylinder Baffle—R.H.	1	1
21	AN515-6-8	Screw	1	1
22	AN960-6	Washer	2	2
23	AN365-632	Nut	1	1
24	AN515-6-8	Screw	1	1
25	AN960-6	Washer	2	2
26	AN365-632	Nut	1	1
27	186003-4	Bolt	1	1	2
28	AN960-6	Washer	1	1	2
29	186003-3	Fin Baffle Channel.....	1	1	2
30	186003-2	Cylinder Butterfly—Fin Baffle.....	1	1	2
31	AN366-F632	Nut Plate	1	1	2
32	48684-2	Cylinder Baffle—L.H.	1	..	1
33	AN515-6-8	Screw	1	..	1
34	AN960-6	Washer	2	..	2
35	AN365-632	Nut	1	..	1
36	AN515-6-8	Screw	1	..	1
37	AN960-6	Washer	2	..	2
38	AN365-632	Nut	1	..	1
39	AN515-6-8	Screw	1	..	1
40	AN960-6	Washer	2	..	2
41	AN365-632	Nut	1	..	1

SILVAIRE AIRCRAFT COMPANY, FORT COLLINS, COLORADO

BAFFLE SYSTEM — CONTINENTAL A-65 ENGINE — (Continued)

Ref. No.	Part No.	Description	Parts Required		
			Left	Right	Total
42	28689-3	Felt—Engine Baffle	1	..	1
43		Bostitch Staples	10	10	20
44	28689-99	Engine Baffle Assembly—L.H.....	1	..	1
45	28689	Engine Baffle (Only).....	1	..	1
46	AN960-6	Washer	2	2	4
47	AN515-6-8	Screw	2	2	4
48	AN960-6	Washer	2	2	4
49	AN935-6	Lock Washer	2	2	4
50	AN340-6	Nut	2	2	4
51	18697	Clip—Baffle Attachment—L.H.....	1	..	1
52	AN960-6	Washer	1	..	1
53	AN935-6	Lock Washer	1	..	1
54	AN340-6	Nut	1	..	1
55	AN960-6	Washer	1	..	1
56	AN515-6-8	Screw	1	..	1
57	AN515-6-8	Screw	1	..	1
58	AN960-6	Washer	1	..	1
59	AN935-6	Lock Washer	1	..	1
60	AN340-6	Nut	1	..	1
61	186007-2	Coupling—Blast Tube	1	..	1
62	AN931-8-13	Rubber Grommet	1	..	1
63	18698-3	Clip—Baffle Attachment	1	..	1
64	AN960-6	Washer	1
65	28696-5	Bolt	1
66	28696-4	Clamp—Fin Baffle Outboard.....	1
67	28696-3	Butterfly—Fin Baffle Outboard.....	1
68	AN366-F632	Nut Plate	1
69	58739	Center Baffle (8F & Seaplane Only).....	1

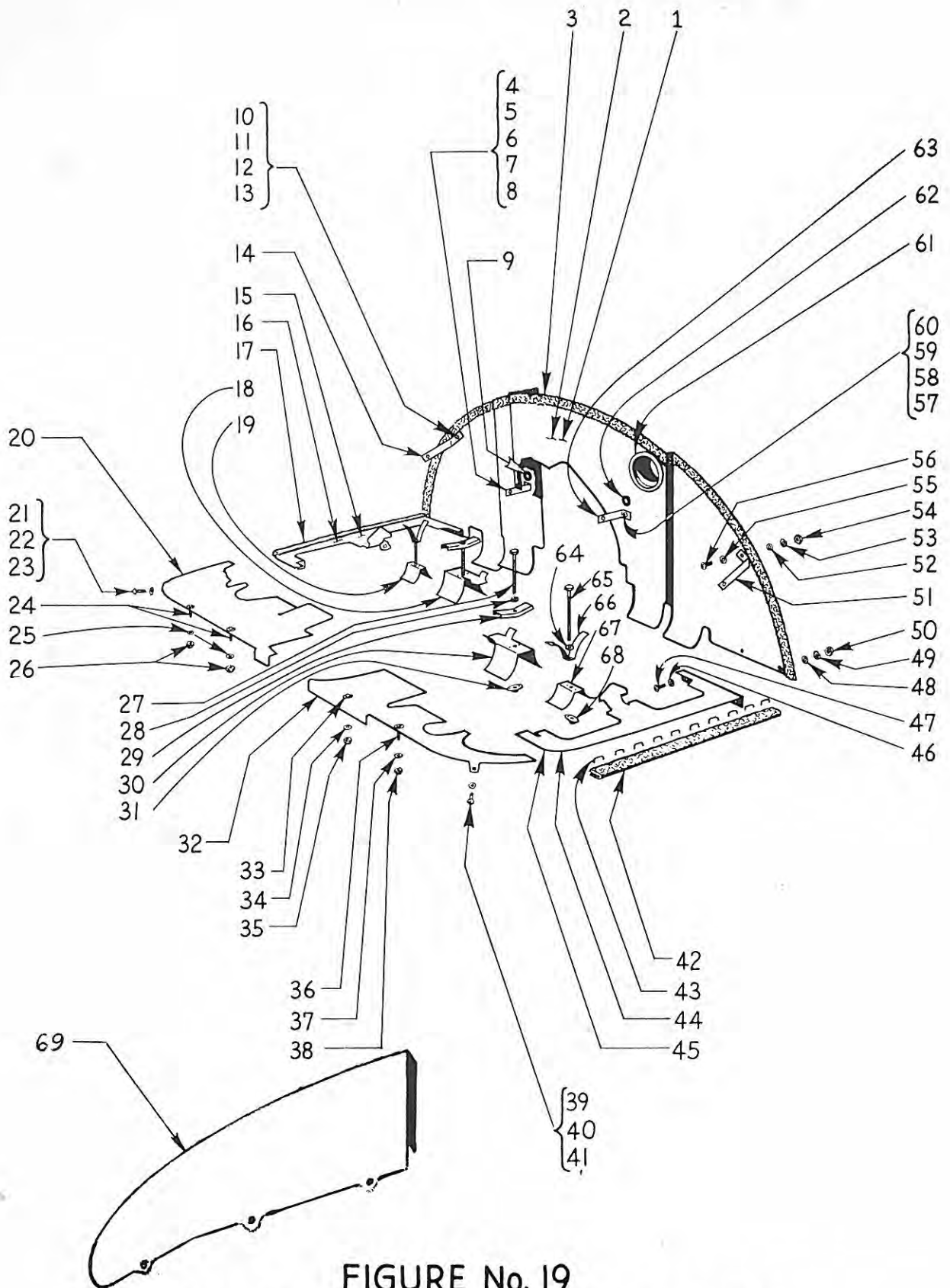


FIGURE No. 19
 PRESSURE BAFFLE SYSTEM—CONTINENTAL A-65 ENGINE

FLAP INSTALLATION

FIGURE NO. 20

Ref. No.	Part No.	Description	Parts Required		
			Left	Right	Total
1	082300-110	Left Hand Flap Assembly.....	1	..	1
2	082300-111	Right Hand Flap Assembly.....	..	1	1
3	582207-1	Rib (Used On Left Wing).....	1	..	1
4	582207	Rib (Used On Right Wing).....	..	1	1
5	282005	Hinge.....	2	2	4
6	082301-14	Push Rod Assembly.....	1	1	2
7	082301-11	Actuating Arm.....	1	1	2
8	082301-55	Spacer.....	1	1	2
9	082301-70	Left Hand Gusset.....	1	..	1
10	082301-71	Right Hand Gusset.....	..	1	1
11	082301-10	Bearing Block.....	1
12	082301-13	Stop Assembly.....	1
13					
14	082301-60	Torque Tube—Left Side.....	1	..	1
15	082301-61	Torque Tube—Right Side.....	..	1	1
16	082301-12	Handle Assembly.....	1
17	082301-51	Block.....	1
18	082300-42	Up Stop.....	1	1	2
19	082300-23	Filler Strip.....	1	1	2
20	082300-14	Left Hand Blanket Strip.....	1	..	1
21	082300-15	Right Hand Blanket Strip.....	..	1	1
22	082301-68	Upper Fairing (Push Rod).....	1	1	2
23	586241-2	Root Fairing—Left Hand.....	1	..	1
24	586241-3	Root Fairing—Right Hand.....	..	1	1
25	AN3-13A	Bolt.....	10
26	AN3-12A	Bolt.....	14
27	AN4-11A	Bolt.....	2
28	AN4-14A	Bolt.....	2
29	AN23-17	Bolt.....	4
30	AN320-3	Nut.....	4
31	Esna 22A17-02	Plate Nut.....	2
32	AN365-1032	Nut.....	16
33	AN365-428	Nut.....	4
34	AN366-F1032	Plate Nut.....	6
35	AN380-1-1	Cotter Pin.....	1
36	AN380-2-2	Cotter Pin.....	4
37	AN426-AD3	Rivet.....	16
38	AN456-AD3	Rivet.....	30
39	AN456-AD4	Rivet.....	228
40	AN960-10	Washer.....	24
41	AN960-416	Washer.....	4
42	AN960-416L	Washer.....	2
43	AN960-8	Washer.....	1
44	P.K. Screws Type "A" #4x¼	47
45	082301-75	Down Stop.....	1	1	2
46	181365	Tab.....	1
47	486333-3	Placard.....	1
48	082301-11	Position Indicators.....	1

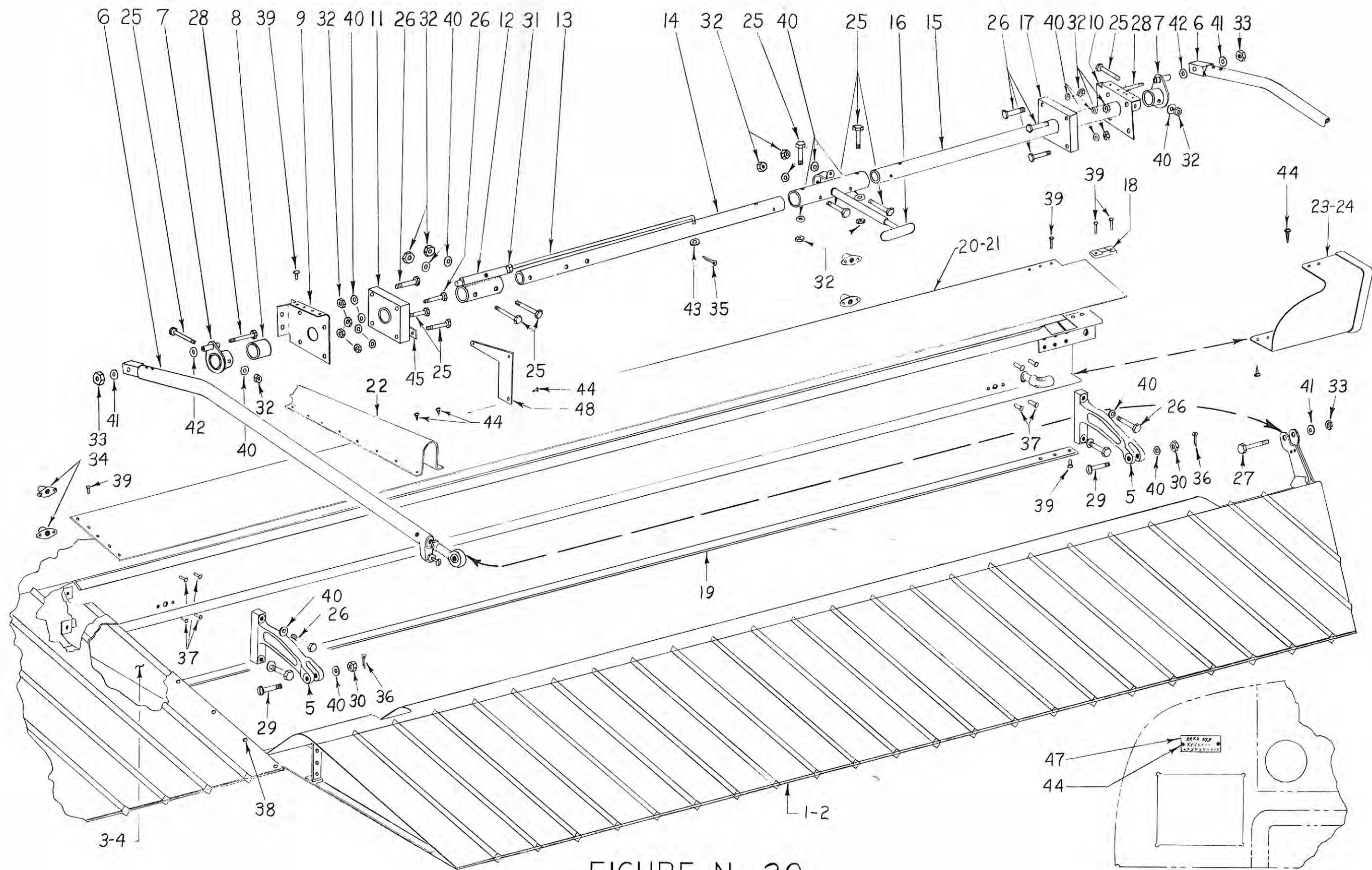


FIGURE No. 20
FLAP INSTALLATION

EXHAUST SYSTEM — MODEL 8A

FIGURE No. 21

Ref. No.	Part No.	Description	Parts Required		
			Left	Right	Total
1	58623-2	Flexible Aluminum Tubing—(2" I.D.)	1	..	1
2	48629-2	Blast Tube	1	..	1
3	086107	Engine Upright Baffle Assembly	1
4	AN340-6	Nut	2	..	2
5	AN935-6	Lock Washer	2	..	2
6	AN960-6	Washer	2	..	2
7	AN515-6-6	Screw	2	..	2
8	AN515-6-6	Screw	10
9	AN960-6	Washer	20
10	AN935-6	Lock Washer	10
11	AN340-6	Nut	10
12	48629	Cabin Heater Assembly (Assembly includes the following parts from Figure No. 21: Parts Reg. Nos. 13, 22, 23.)	1
13	48629-300	Cabin Heater—Upper Half	1
14	08327	Exhaust Stack Assembly—Complete (Assembly includes Parts Ref. Nos. 15, 16, 21, 26, 27.)	1
15	08627-5	Rear Center Exhaust Stack	1
16	AN742-32	Tubing Clamp	..	1	1
17	AN4-7	Bolt	..	1	1
18	AN960-416	Washer	..	2	2
19	AN365-428	Nut	..	1	1
20	AN380-2-3	Cotter Pin	..	1	1
21	08627-7	Right Side Exhaust Stack	..	1	1
22	48629-7	Shim—Cabin Heater	2
23	48629-100	Cabin Heater—Lower Half	1
24	58628-4	Flexible Aluminum Tubing—(1½" I.D.)	1
25	58628-3	Flexible Aluminum Tubing—(2" I.D.)	1
26	08627-3	Left Side Exhaust Stack	1	..	1
27	AN742-32	Tubing Clamp	1	..	1
28	AN380-2-3	Cotter Pin	1	..	1
29	AN365-428	Nut	1	..	1
30	AN960-416	Washer	1	..	1
31	AN4-7	Bolt	1	..	1
32	28090	Elbow—Cabin Heater	1
33	18637	Cabin Heater Plate Assembly	1
34	AN393-9	Clevis Pin	1
35	AN960-10L	Washer	2
36	AN380-2-3	Cotter Pin	1
37	AN520-10-8	Screw	1
38	AN315-3R	Nut	1
39	18627-S-29-2	Stud	1

EXHAUST SYSTEM — MODEL 8A — (Continued)

Ref. No.	Part No.	Description	Parts Required		Total
			Left	Right	
40	AN3-10A	Bolt	1
41	AN960-10	Washer	1
42	AN365-1032	Nut	1
43	AN742-3	Clamp	1
44	#3A-598	Cabin Heater Control.....	1
45	AN365-632	Nut	4
46	AN960-6	Washer	4
47	AN526-632-6	Screw	4
48	#6x 1/4"	Parker-Kalon Screw—Type A—Binder Head.....	5

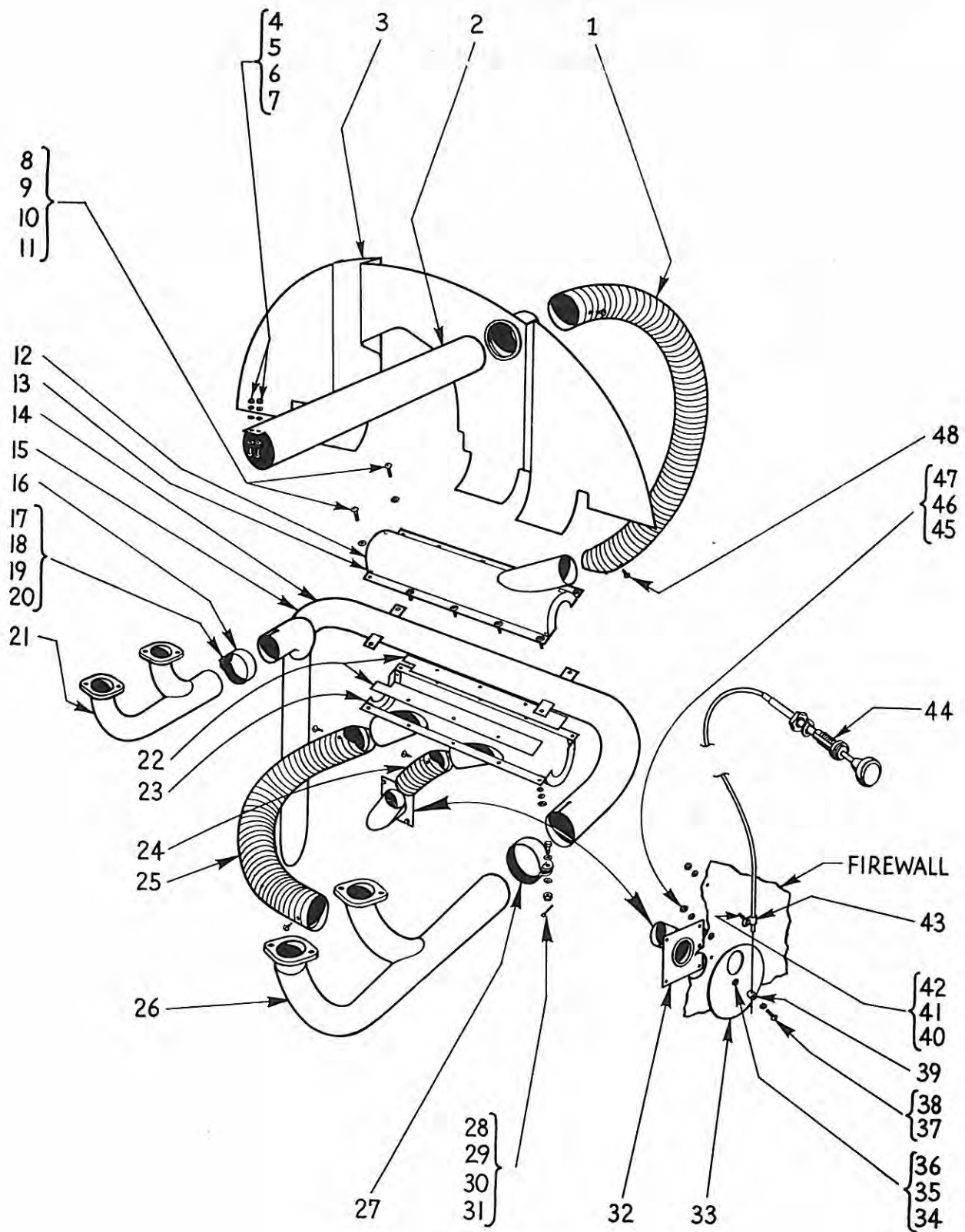


FIGURE No. 21
 EXHAUST SYSTEM—MODEL 8A

EXHAUST SYSTEM AND HEATER MUFFLERS — MODEL 8F

FIGURE No. 22

Ref. No.	Part No.	Description	Parts Required		
			L.	R.	Total
1	3A692	Control—Fresh Air	1
2	3A598	Control—Cabin Heat	1
3	AN742-3	Cable Clamp	2
4	AN365-1032	Nut	2
5	AN960-10	Washer	2
6	AN3-10A	Bolt	2
7	AN380-2-2	Cotter Pin	2
8	AN960-10	Washer	4
9	AN393-9	Clevis Pin	2
10	586103-2	Tube—Fresh Air Duct	1
11	AN3-15	Bolt	1
12	AN960-10	Washer	1
13	AN365-1032	Nut	1
14	186105	Spacer	1
15	AN365D-632	Nut	9	9
16	AN960A-6	Washer	9	9
17	AN515-DD6-5	Screw	9	9
18	086126	Carburetor Heater Muff Assembly—R.H.....	..	1	1
19	09605	Exhaust Stack—R.H.	1	1
20	09607-2	Flexible Tube (Intake to Carburetor Heater Muff.).....	..	1	1
21	09607-3	Flexible Tube (Carburetor Heater Muff. to Carburetor).....	..	1	1
22	09607-6	Flexible Tube (Intake to Cabin Heater Muff.).....	1	..	1
23	09604	Exhaust Stack—L.H.	1	..	1
24	486065	Cabin Heater Muff. Assembly—L.H.....	1	..	1
25	AN365-D632	Nut	8	..	8
26	AN960-A6	Washer	16	..	16
27	AN515-DD6-5	Screw	8	..	8
28	09607-2	Flexible Tube (Cabin Heater Muff. to Cabin).....	1	..	1
29	19632	Gasket—Firewall to Heater.....	2
30	AN520-1032-8	Screw	5
31	AN960-10	Washer	5
32	AN365-1032	Nut	5
33	286122	Inlet Assembly—(Cabin Heat and Fresh Air).....	5
34	586103-4	Flexible Tube—(Fresh Air—Intake to Cabin).....	1
35	18637-1	Control Disc—Fresh Air.....	1
36	18627-S-29-2	Stud—Shakespeare Control	2
37	AN520-1032-8	Screw	2
38	AN315-3R	Nut	2
39	18637	Control Disc—Cabin Heat	1
40	#6x 1/4"	Parker-Kalon Screw—Type A—Round Head.....	10

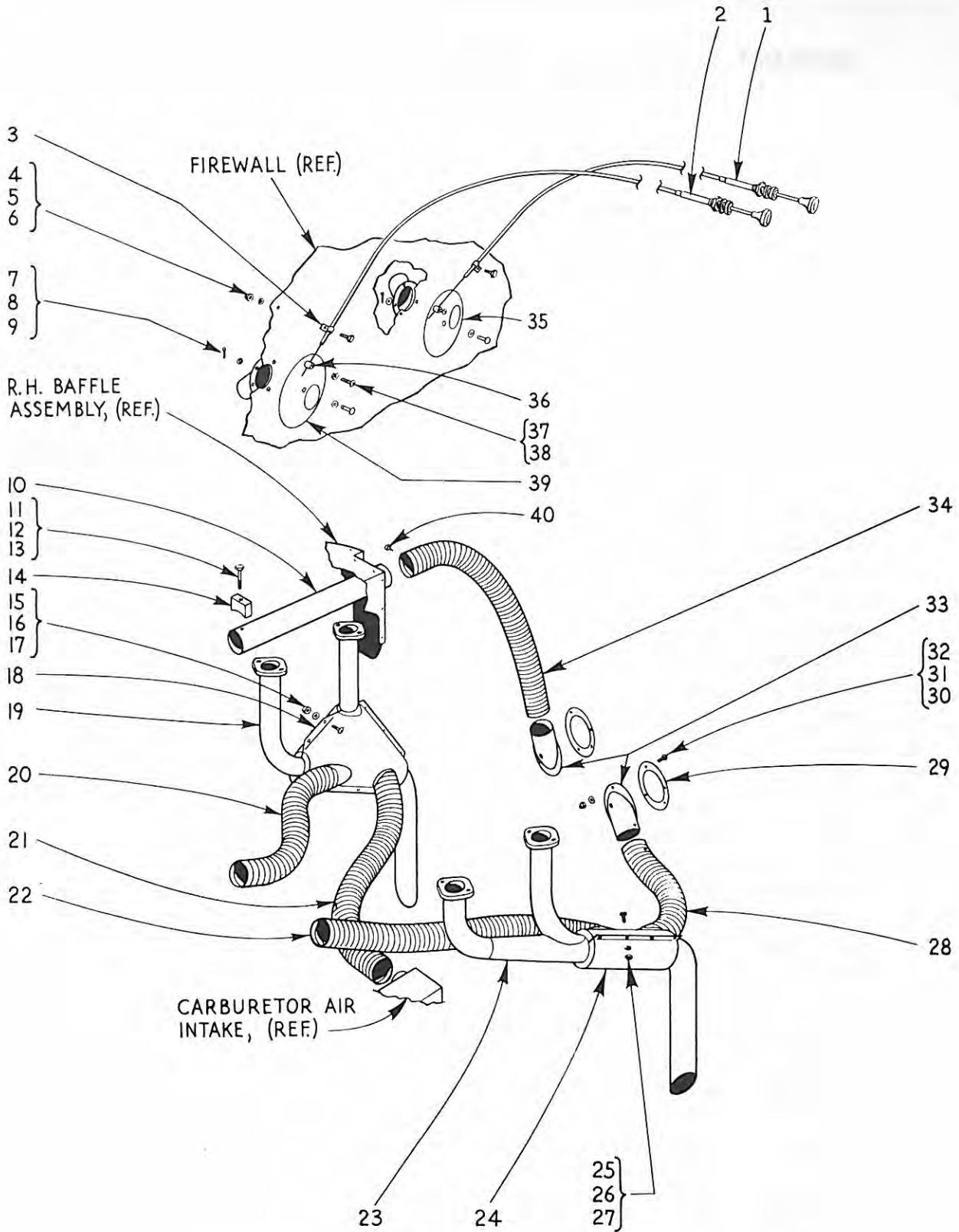


FIGURE No. 22
 EXHAUST SYSTEM & HEATER MUFFLERS—MODEL 8F

FUEL SYSTEM AND MOTOR MOUNT—8A**FIGURE No. 23**

Ref. No.	Part No.	Description	Parts Required		
			Left	Right	Total
1	AN5-36	Bolt	1
2	281150-3	Washer	1
3	18624	Rubber Bushing—Motor Mount.....	1
4	181149-3	Bushing	1
5	18624	Rubber Bushing—Motor Mount.....	1
6	281150-4	Washer	1
7	AN310-5	Nut	1
8	AN380-2-2	Cotter Pin	1
9	AN7-37	Bolt	2	2	4
10	22387	Rubber Cone Bushing—Motor Mount..... (Supplied by Continental Motors Corp.)	4	4	8
11	21530	Washer	2	2	4
12	AN960-716	Washer	2	2	4
13	AN310-7	Nut	2	2	4
14	AN380-3-3	Cotter Pin	2	2	4
15	48147	Motor Mount—8A and 8E.....	1
16	AN931-3-9	Rubber Grommet	1
17	AN741-4P	Clamp	1
18	AN742-4	Clamp	1
19	AN3-10	Bolt	1
20	AN960-10	Washer	1
21	AN365-1032	Nut	1
22	AN805-2	Nut—Tube	1
23	AN800-2	Cone—Tube	1
24	486092-300	Primer Line Assembly—Outlet.....	1
25	AN741-4P	Clamp	1
26	AN742-3	Clamp	1
27	AN3-10A	Bolt	1
28	AN960-10	Washer	1
29	AN365-1032	Nut	1
30	486092-200	Primer Line Assembly—Inlet.....	1
31	AN805-2	Nut—Tube	1
32	AN800-2	Cone—Tube	1
33	AN780-2	Nipple	1
34	AN844-6D	Elbow	1
35	AN742-3	Clamp	1
36	#3A600	Carburetor Heat Control.....	1
37	AN3-4A	Bolt	1
38	AN960-10	Washer	1
39	AN365-1032	Nut	1
40	58601-2	Neoprene Gas Line.....	1

SILVAIRE AIRCRAFT COMPANY, FORT COLLINS, COLORADO

FUEL SYSTEM AND MOTOR MOUNT — 8A — (Continued)

Ref. No.	Part No.	Description	Parts Required		
			Left	Right	Total
41	AN748-26	Aero-Seal Clamp	1
42	OW-400	Tillotson Fuel Strainer.....	1
43	18666	Gasgulator Bracket	1
44	AN380-2-2	Cotter Pin	1	1	2
45	AN310-4	Nut	1	1	2
46	AN960-416	Washer	1	1	2
47	281150-2	Washer	1	1	2
48	18624	Rubber Bushing—Motor Mount.....	1	1	2
49	181149-2	Bushing	1	1	2
50	18624	Rubber Bushing—Motor Mount.....	1	1	2
51	281150-2	Washer	1	1	2
52	58601-13	Loom Cover	1
53	58601-3	Fuel Line—Forward	1
54	58601-14	Spacers	2
55	AN23-27A	Bolt	2
56	286081	Guard—Gas Line	1
57	58601-4	Gas Line—Intermediate	1
58	#4x¼"	P. K. Screw—Type A—Stove Head.....	2
59	58601-11	Loom Cover	1
60	AN931-6-10	Rubber Grommet	1
61	AN884-6-8	Hose	1
62	AN875-6	Inner Liner	1
63	AN745-1A	Clamp	2
64	58601-5	Gas Line—Aft	1
65	48603	Gas Tank—Fuselage 8A.....	1
66	58602-8	Felt Pad	1
67	58602-1200	Cable—Gas Tank—Rear	1
68	AN130-8S	Barrel—Turnbuckle	1
69	AN393-9	Clevis Pin	1	1	2
70	AN380-2-2	Cotter Pin	1	1	2
71	18602-S50-6	Lug	1	1	2
72	AN3-5A	Bolt	1	1	2
73	AN960-10	Washer	1	1	2
74	AN365-1032	Nut	1	1	2
75	58602-4	Felt Pad	1
76	58602-2	Tank Stop	1
77	AN545-4-4	Wood Screw	3
78	486124-10	Gas Tank Cap—Pressure Vent.....	1
79	58602-3	Support—Gas Tank	1
80	58602-4	Belt Pad	1
81	58602-10	Bolt	1	1	2
82	AN960-10	Washer	1	1	2

SILVAIRE AIRCRAFT COMPANY, FORT COLLINS, COLORADO

FUEL SYSTEM AND MOTOR MOUNT—8A—(Continued)

Ref. No.	Part No.	Description	Parts Required		
			Left	Right	Total
83	AN315-3	Nut	1	1	2
84	AN665-21R	Terminal—Cable	1	1	2
85	AN393-11	Clevis Pin	1	1	2
86	AN380-2-2	Cotter Pin	1	1	2
87	58602-1100	Cable—Gas Tank—Forward	1
88	58602-6	Felt Pad	1
89	58602-7	Felt Pad	1
90	28625	Model P29—Fuel Gauge.....	1
91	48603-12	Gas Gauge Nut.....	1
92	AN742-10	Clamp	1
92A	AN526-832-8	Screw	1
92B	AN960-8	Washer	2
92C	AN365-832	Nut	1
93	48603-13	Pipe Plug (1/8").....	1
94	AN884-6-8	Hose	1
95	AN875-6	Inner Liner	1
96	AN745-1A	Clamp	2
97	AN805-2	Nut—Tube	1
98	AN800-2	Cone—Tube	1
99	AN780-2	Nipple	1
100	486092	Primer Assembly—Complete with Lines and Fittings.....	1
101	AP-11-1645	Parker Primer	1
	K2406-2	Primer—Koehler	1
102	AN780-2	Nipple	1
103	AN805-2	Nut—Tube	1
104	AN800-2	Cone—Tube	1
105	#3A596	Throttle Control—Shakespeare	1
106	AN931-6-10	Rubber Grommet	1
107	AN365-1032	Nut	2
108	AN960-10	Washer	2
109	18068-2	Placard—Fuel Shut Off Valve.....	1
110	58601-14	Shut Off Valve—Imperial.....	1
111	AN931-4-7	Rubber Grommet	3
112	170-F	Imperial Bronze Elbow—(1/8"x3/8").....	1
113	41F	Nut—Tube	1
114	58601-6	Tube	1
115	AN745-1-A	Clamp	2
116	AN884-6-8	Hose	1
117	AN875-6	Inner Liner	1

FUEL SYSTEM AND MOTOR MOUNT - 24

Part No.	Description	QTY	Unit Price	Total Price
100	Fuel Tank	1	100.00	100.00
101	Fuel Line	1	50.00	50.00
102	Fuel Filter	1	25.00	25.00
103	Fuel Pump	1	75.00	75.00
104	Fuel Valve	1	30.00	30.00
105	Fuel Hose	1	40.00	40.00
106	Fuel Nozzle	1	15.00	15.00
107	Fuel Gauge	1	60.00	60.00
108	Fuel Sender	1	45.00	45.00
109	Fuel Warning Light	1	20.00	20.00
110	Fuel Relay	1	35.00	35.00
111	Fuel Solenoid	1	55.00	55.00
112	Fuel Shut-off Valve	1	28.00	28.00
113	Fuel Drain Valve	1	18.00	18.00
114	Fuel Vent Valve	1	12.00	12.00
115	Fuel Breather Valve	1	10.00	10.00
116	Fuel Filler Neck	1	22.00	22.00
117	Fuel Filler Cap	1	8.00	8.00
118	Fuel Filler Gasket	1	5.00	5.00
119	Fuel Filler Hose	1	15.00	15.00
120	Fuel Filler Plug	1	3.00	3.00
121	Fuel Filler Nut	1	2.00	2.00
122	Fuel Filler Washer	1	1.50	1.50
123	Fuel Filler Seal	1	1.00	1.00
124	Fuel Filler O-ring	1	0.50	0.50
125	Fuel Filler Grommet	1	0.50	0.50
126	Fuel Filler Plug Seal	1	0.50	0.50
127	Fuel Filler Plug Washer	1	0.50	0.50
128	Fuel Filler Plug Nut	1	0.50	0.50
129	Fuel Filler Plug Seal	1	0.50	0.50
130	Fuel Filler Plug Washer	1	0.50	0.50
131	Fuel Filler Plug Nut	1	0.50	0.50
132	Fuel Filler Plug Seal	1	0.50	0.50
133	Fuel Filler Plug Washer	1	0.50	0.50
134	Fuel Filler Plug Nut	1	0.50	0.50
135	Fuel Filler Plug Seal	1	0.50	0.50
136	Fuel Filler Plug Washer	1	0.50	0.50
137	Fuel Filler Plug Nut	1	0.50	0.50
138	Fuel Filler Plug Seal	1	0.50	0.50
139	Fuel Filler Plug Washer	1	0.50	0.50
140	Fuel Filler Plug Nut	1	0.50	0.50
141	Fuel Filler Plug Seal	1	0.50	0.50
142	Fuel Filler Plug Washer	1	0.50	0.50
143	Fuel Filler Plug Nut	1	0.50	0.50
144	Fuel Filler Plug Seal	1	0.50	0.50
145	Fuel Filler Plug Washer	1	0.50	0.50
146	Fuel Filler Plug Nut	1	0.50	0.50
147	Fuel Filler Plug Seal	1	0.50	0.50
148	Fuel Filler Plug Washer	1	0.50	0.50
149	Fuel Filler Plug Nut	1	0.50	0.50
150	Fuel Filler Plug Seal	1	0.50	0.50
151	Fuel Filler Plug Washer	1	0.50	0.50
152	Fuel Filler Plug Nut	1	0.50	0.50
153	Fuel Filler Plug Seal	1	0.50	0.50
154	Fuel Filler Plug Washer	1	0.50	0.50
155	Fuel Filler Plug Nut	1	0.50	0.50
156	Fuel Filler Plug Seal	1	0.50	0.50
157	Fuel Filler Plug Washer	1	0.50	0.50
158	Fuel Filler Plug Nut	1	0.50	0.50
159	Fuel Filler Plug Seal	1	0.50	0.50
160	Fuel Filler Plug Washer	1	0.50	0.50
161	Fuel Filler Plug Nut	1	0.50	0.50
162	Fuel Filler Plug Seal	1	0.50	0.50
163	Fuel Filler Plug Washer	1	0.50	0.50
164	Fuel Filler Plug Nut	1	0.50	0.50
165	Fuel Filler Plug Seal	1	0.50	0.50
166	Fuel Filler Plug Washer	1	0.50	0.50
167	Fuel Filler Plug Nut	1	0.50	0.50
168	Fuel Filler Plug Seal	1	0.50	0.50
169	Fuel Filler Plug Washer	1	0.50	0.50
170	Fuel Filler Plug Nut	1	0.50	0.50
171	Fuel Filler Plug Seal	1	0.50	0.50
172	Fuel Filler Plug Washer	1	0.50	0.50
173	Fuel Filler Plug Nut	1	0.50	0.50
174	Fuel Filler Plug Seal	1	0.50	0.50
175	Fuel Filler Plug Washer	1	0.50	0.50
176	Fuel Filler Plug Nut	1	0.50	0.50
177	Fuel Filler Plug Seal	1	0.50	0.50
178	Fuel Filler Plug Washer	1	0.50	0.50
179	Fuel Filler Plug Nut	1	0.50	0.50
180	Fuel Filler Plug Seal	1	0.50	0.50
181	Fuel Filler Plug Washer	1	0.50	0.50
182	Fuel Filler Plug Nut	1	0.50	0.50
183	Fuel Filler Plug Seal	1	0.50	0.50
184	Fuel Filler Plug Washer	1	0.50	0.50
185	Fuel Filler Plug Nut	1	0.50	0.50
186	Fuel Filler Plug Seal	1	0.50	0.50
187	Fuel Filler Plug Washer	1	0.50	0.50
188	Fuel Filler Plug Nut	1	0.50	0.50
189	Fuel Filler Plug Seal	1	0.50	0.50
190	Fuel Filler Plug Washer	1	0.50	0.50
191	Fuel Filler Plug Nut	1	0.50	0.50
192	Fuel Filler Plug Seal	1	0.50	0.50
193	Fuel Filler Plug Washer	1	0.50	0.50
194	Fuel Filler Plug Nut	1	0.50	0.50
195	Fuel Filler Plug Seal	1	0.50	0.50
196	Fuel Filler Plug Washer	1	0.50	0.50
197	Fuel Filler Plug Nut	1	0.50	0.50
198	Fuel Filler Plug Seal	1	0.50	0.50
199	Fuel Filler Plug Washer	1	0.50	0.50
200	Fuel Filler Plug Nut	1	0.50	0.50

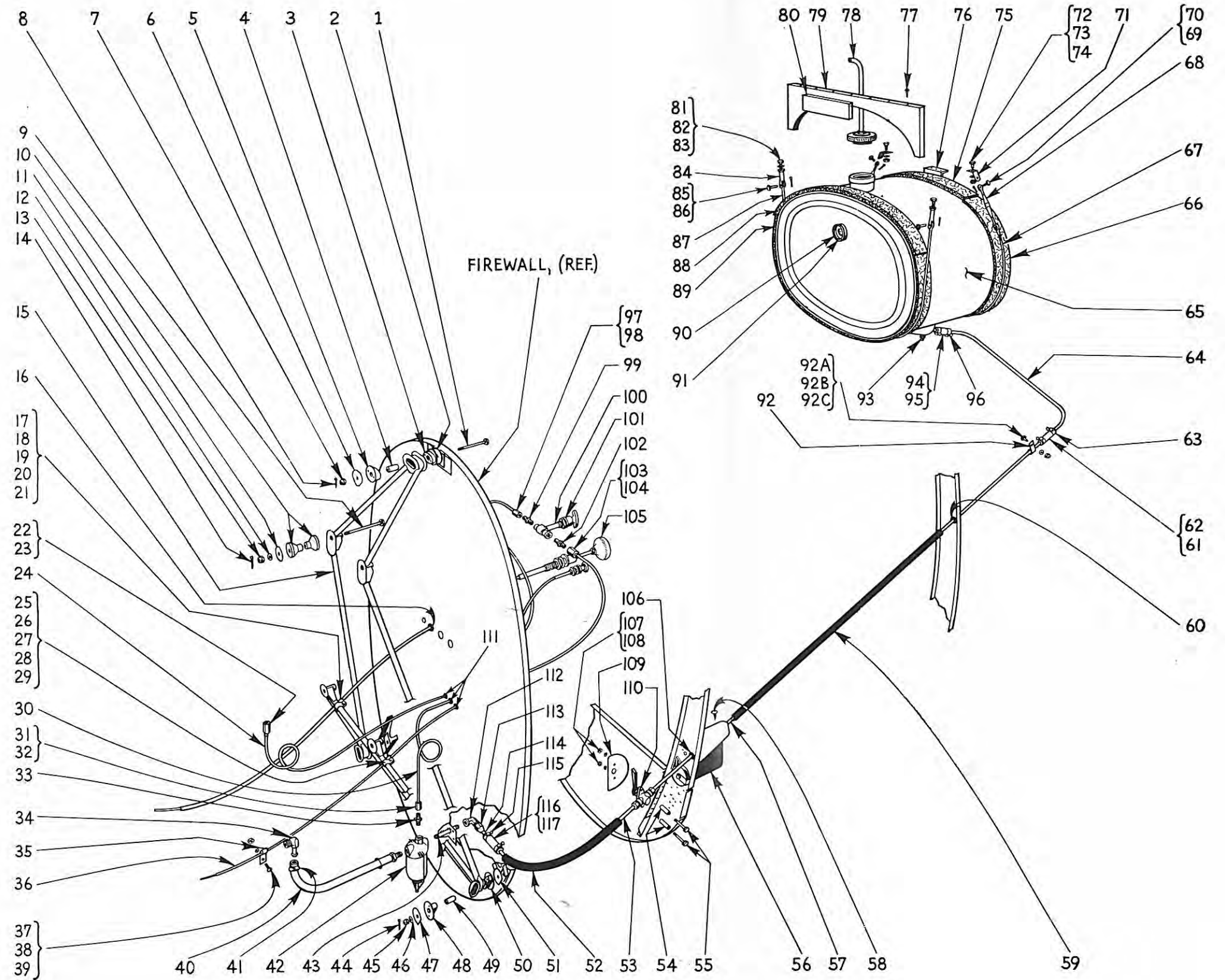


FIGURE No. 23
 FUEL SYSTEM & MOTOR MOUNT—MODEL 8A

FUEL SYSTEM — WING TANKS — 8A AND 8E**FIGURE No. 24**

Ref. No.	Part No.	Description	Parts Required		
			Left	Right	Total
1	086114	Pliocel Fuel Tank—L.H.....	1	..	1
2	086114-1	Pliocel Fuel Tank—R.H.....	..	1	1
3	286116	Fuel Cap—Wing Tank.....	1	1	2
4	086101-4	Gasket.....	1	1	2
5	082201-35	Doubler	1	1	2
6	AN526R-1032-6	Screw	18	18	36
7	2F1-1-10801	“O” Ring	18	18	36
8	086115-NKD8-02	Spline Nut	18	18	36
9	486117	Filler Adapter Assembly—Pliocel Tank.....	1
10	086114-2	Gasket—(Pliocel Tank Only).....	2	2	4
10A	086120	Reinforcement	1	1	2
11	086114-4	Gasket—(Pliocel Tank Only)..... (Parts Ref. Nos. 10, 11 furnished with 086114 Pliocel Tank Assembly.)
12	AN924-80	Nut—(Pliocel Tank Only).....	2	2	4
13	186119	Adapter (Pliocel Tank Only).....	2	2	4
14	086114-2	Gasket (Pliocel Tank Only).....	1	1	2
15	AN526R-1032-8	Screw	5	5	10
16	2F1-1-10801	“O” Ring	5	5	10
17	086115-NKD8-02	Spline Nut	5	5	10
18	286084-200	Nipple Assembly—Front—Pliocel Tank.....	1	1	2
19	286084-500	Nipple Assembly—Rear—Pliocel Tank.....	1	1	2
20	286121	Fuel Gauge Adapter Assembly—Pliocel Tank.....	1	1	2
21	082201-82	Shelf—Pliocel Tank	1	1	2
22	086115-3	Felt Pad—(2"x2")	9	9	18
23	086115-2	Felt Strip—(¾"x30")	2	2	4
24	086115-3	Felt Pad—(2"x2")	2	2	4
25	086115-2	Felt Strip—(¾"x30")	1	1	2
26	086114-3	Gasket—Filler Adapter	3	3	6
		(Note: 2 gaskets furnished with 086114 Pliocel Tank Assembly.)			
27	286128	Knob.....	1	1	2
28	18068-2	Placard.....	1	1	2
29		Washer	1
30		Nut	1
35	AN844-6D	Elbow	1
36	AN748-26	Aero—Seal Clamp	1
37	086102-21	Neoprene Gas Line.....	1
38	OW-400	Tillotson Fuel Strainer.....	1

SILVAIRE AIRCRAFT COMPANY, FORT COLLINS, COLORADO

FUEL SYSTEM — WING TANKS — 8A AND 8E — (Continued)

Ref. No.	Part No.	Description	Parts Required		
			Left	Right	Total
39	18666	Bracket Assembly.....	1
40	AN912-1D	Reducer Bushing	1
41A	286094-00	Selector Valve Assembly..... (Assembly includes Parts Ref. Nos. 31, 32, 33, 34, 41, 42, 43.)	1
42	AN917-6D	Tee.....	1
44	AN816-6D	Nipple	1	1	2
45	AN818-6D	Nut—Tube	1	1	2
46	AN819-6Z	Sleeve—Tube	1	1	2
47	#100 HDx 3/8	Imperial Valve.....	1	..	1
48	086102-20	Tube Assembly—L.H.	1	..	1
49	086102-20	Tube Assembly—R.H. (Note: Tube Assemblies are complete with loom and fittings.)	..	1	1
50	AN824-6D	Tee	1	1	2
51	AN818-6D	Nut—Tube	1	1	2
52	AN819-6Z	Sleeve—Tube	1	1	2
53	086102-2000	Tube Assembly—L.H./R.H.	1	1	2
54	286081	Guard—Gas Line—L.H.	1	..	1
55	286081-1	Guard—Gas Line—R.H.	1	1
56	086102-10	Loom Cover	1	1	2
57	086102-24	Tube Assembly—L.H./R.H.	1	1	2
58	086115-2	Felt Strip (3/4"x30").....	3	3	6
59	AN525-416-9	Screw	4	4	8
60	AN960-5	Washer	4	4	8
61	AN366-F428	Nut Plate	4	4	8
62	486099	Strap Assembly—Front—Metal Tank.....	2	2	4
63	486099-2	Front Strap Only.....	2	2	4
63A	086101	Strap Assembly—Front and Rear—Metal Wing.....	2	2	4
64	486099-3	Felt Strip—Front	2	2	4
65	AN150-8S	Turnbuckle	2	2	4
66		.040 Brass Safety Wire.....	2	2	4
67	AN393-9	Clevis Pin	4	4	8
68	AN960-10L	Washer	4	4	8
69	AN380-2-2	Cotter Pin	4	4	8
70	486100	Strap Assembly—Rear—Metal Tank.....	2	2	4
71	486100-2	Rear Strap Only.....	2	2	4
72	486100-3	Felt Strap—Rear (1"x11 3/8").....	2	2	4
73	086101-5	Felt Pad—(1"x2")	8	8	16
74	09220	Metal Wing Tank Assembly—L.H.....	1	..	1
75	09220-1	Metal Wing Tank Assembly—R.H.....	..	1	1
76	081115-2	Felt Strip (3/4"x30").....	3	3	6

SILVAIRE AIRCRAFT COMPANY, FORT COLLINS, COLORADO

FUEL SYSTEM — WING TANKS — 8A AND 8E — (Continued)

Ref. No.	Part No.	Description	Parts Required		
			Left	Right	Total
76A	081115-3	Felt Strip (2"x35")	1	1	2
77	AN818-6D	Nut—Tube	1	1	2
78	AN819-6Z	Sleeve—Tube	1	1	2
79	186024-300	Nipple Assembly—Metal Tank—Front and Rear	2	2	4
80	AN916-2D	Elbow	1	1	2
81	AN816-6D	Nipple	1	1	2
82	086102-1400	Tube Assembly—L.H.	1	..	1
83	086102-1500	Tube Assembly—R.H.	..	1	1
84	AN931-6-10	Rubber Grommet	5	5	10
85	086102-600	Tube Assembly—L.H.	1	..	1
86	086102-700	Tube Assembly—R.H.	..	1	1
87	552	United Carr Fastener—Pliocel Tank	16	16	32
88	A-21-2216	Fuel Gauge—Scott	1	1	2
89	AN501-416-10	Screw	4	4	8
90	086102-200	Tube Assembly—L.H./R.H.	1	1	2
91	AN748-26	Clamp	4	4	8
92	AN884-6-12	Hose	4	4	9
93	AN875-6	Inner Liner	4	4	8
94	086102-4	Loom Cover	1	1	2
95	086102-23	Tube Assembly—L.H./R.H.	1	1	2
96	# 4x 1/4"	Parker-Kalon Screw—Type A—Stove Head	2	2	4
98	AN960-616	Washer	1
99	AN520-4-10	Screw	1
100	AN960-4	Washer	1
101	AN345-4	Nut	1
102	AN748-26	Hose Clamp	2	2	4
103	AN748-26	Hose Clamp	2	2	4
103A	AN875-6	Inner Liner	1	1	2
103B	AN884-6-12	Hose	1	1	2
114	086115-2	Felt Strip—(3/4 "x3")	4	4	8
115	086115-3	Felt Pad—(2"x2")	4	4	8
116	086115-2	Felt Strip—(3/4 "x30")	2	2	4
117	086115-2	Felt Strip—(3/4 "x30")	8	8	16
118	AN818-6D	Nut—Tube	1	1	2
119	AN819-6Z	Sleeve—Tube	1	1	2
120	AN811-8T-6D	Nut—Tube	1	1	2
121	AN819-6Z	Sleeve—Tube	1	1	2
122	AN838-6D	Elbow	1	1	2
123	AN931-6-10	Grommet	1	1	2
124		Hose Clamp	2	2	4
125	AN884-6-17	Hose	1	1	2
126	AN916-2D	Elbow	1	1	2
127	AN840-6D	Nipple	1	1	2
128	286024-3	Nipple	1	1	2

FUEL SYSTEM—WING TANKS—5R AND 5L—Continued

Part No.	Description	QTY	Part No.	Description	QTY
76A	BRACKET	1	76A	BRACKET	1
77	WASHER	1	77	WASHER	1
78	WASHER	1	78	WASHER	1
79	WASHER	1	79	WASHER	1
80	WASHER	1	80	WASHER	1
81	WASHER	1	81	WASHER	1
82	WASHER	1	82	WASHER	1
83	WASHER	1	83	WASHER	1
84	WASHER	1	84	WASHER	1
85	WASHER	1	85	WASHER	1
86	WASHER	1	86	WASHER	1
87	WASHER	1	87	WASHER	1
88	WASHER	1	88	WASHER	1
89	WASHER	1	89	WASHER	1
90	WASHER	1	90	WASHER	1
91	WASHER	1	91	WASHER	1
92	WASHER	1	92	WASHER	1
93	WASHER	1	93	WASHER	1
94	WASHER	1	94	WASHER	1
95	WASHER	1	95	WASHER	1
96	WASHER	1	96	WASHER	1
97	WASHER	1	97	WASHER	1
98	WASHER	1	98	WASHER	1
99	WASHER	1	99	WASHER	1
100	WASHER	1	100	WASHER	1

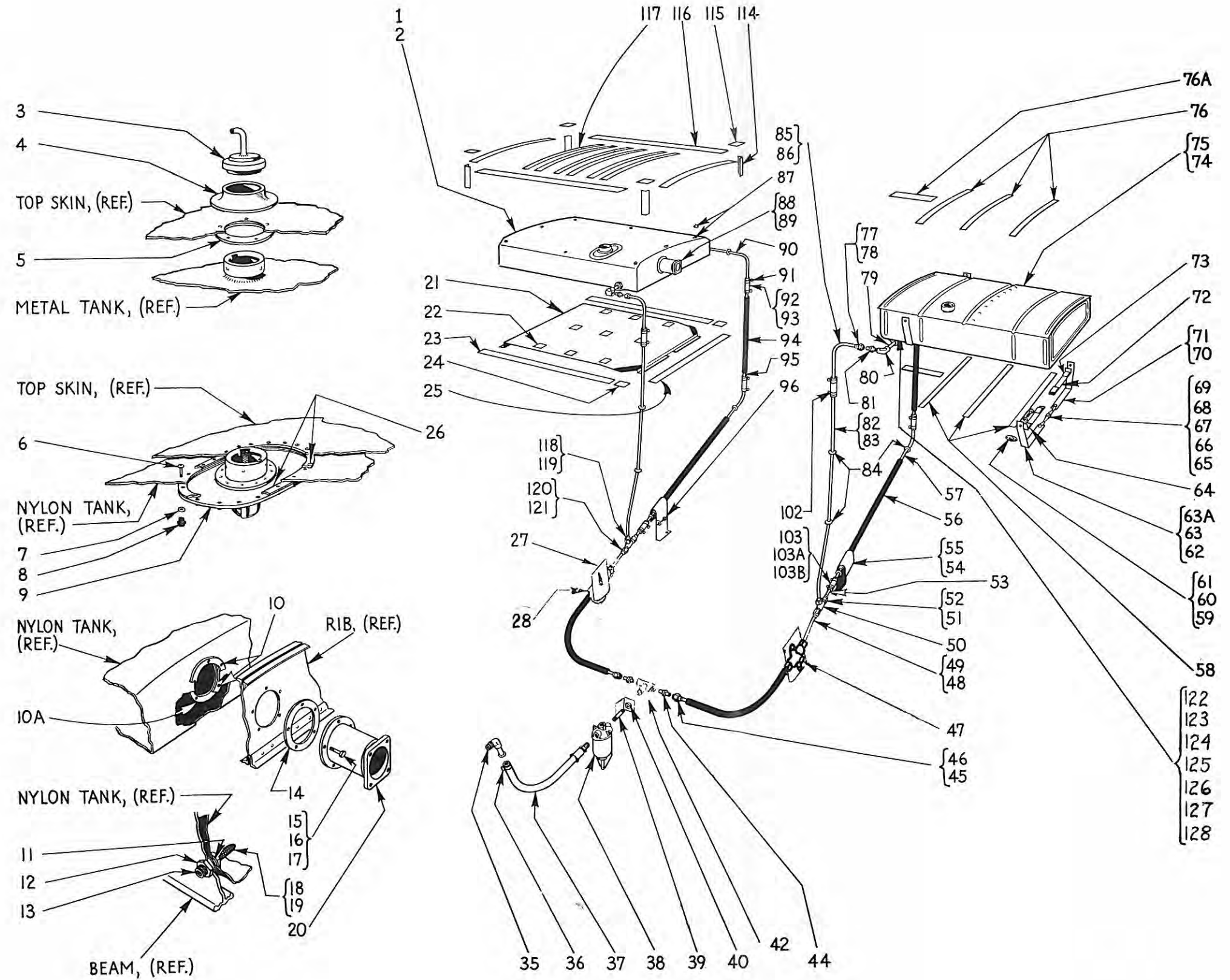


FIGURE No. 24
 FUEL SYSTEM—WING TANKS

ELECTRICAL SYSTEM—MODELS 8E AND 8A

FIGURE No. 25

Ref. No.	Part No.	Description	Parts Required		
			L.	R.	Total
1	58834-129	Wing Position Light Wire—L.H.....	1	..	1
2	58834-120	Landing Light Wire—Left Wing.....	1	..	1
3	58834-126	Wing Position Light Wire—Cabin—L.H.....	1	..	1
4	58834-118	Landing Light Wire—Cabin—L.H.....	1	..	1
5	AN520-4-5	Screw	2	..	2
6	AN345-4	Nut	2	..	2
	AN935-4	Lock Washer	2	..	2
7	NAS44-6-2	Bus Bar	2	..	2
8	NAS45-6-5	Terminal Strip	1	..	1
9	AN931-5-9	Rubber Grommet	1	1	2
10	58834-121	Landing Light Wire—Right Wing.....	..	1	1
11	58834-131	Wing Position Light Wire—Right Wing.....	..	1	1
12	AN742-3	Clamp	6	6	12
13	#6x 3/8"	P. K. Screw—Round Head—Type Z.....	6	6	12
14	AN931-5-9	Rubber Grommet	1	1	2
15	582204	Landing Light Installation Assembly—L.H.....	1	..	1
16	582204-1	Landing Light Installation Assembly—R.H..... (Note: Above Ref. Nos. 15 and 16 include the following parts "A" to "K," inclusive.)	..	1	1
A.	282215	Bracket—(Fastened on Front Spar).....	2	2	4
B.	082223	Cover Assembly—L.H.	1	..	1
C.	082223-1	Cover Assembly—R.H.	1	1
D.	082223-4	Glass—Landing Light—L.H.	1	..	1
E.	082223-5	Glass—Landing Light—R.H.	1	1
F.	582222	Landing Light and Bracket Assembly..... (Note: Part No. 582222 includes the following seven items):	1	1	2
	582222-4	Base	1	1	2
	582222-3	Clamp	2	2	4
	AN366-F832	Nut Plate	4	4	8
	AN515-832-18	Screw	4	4	8
	AN393-7	Clevis Pin	2	2	4
	AN960-10	Washer	2	2	4
	#4509	G. E. Lamp.....	1	1	2
G.	AN3-4	Bolt	2	2	4
H.	AN960-10	Washer	6	6	12
I.	AN365-1032	Nut	2	2	4
J.	AN380-2-2	Cotter Pin	2	2	4
K.	AN526-832-6	Screw	5	5	10
17	#6x 3/8"	P. K. Screw—Type Z—Round Head.....	1	1	2
18	58834-142	Landing Light Ground Wire—L.H.....	1	..	1
	58834-143	Landing Light Ground Wire—R.H.....	..	1	1

SILVAIRE AIRCRAFT COMPANY, FORT COLLINS, COLORADO

ELECTRICAL SYSTEM—MODELS 8E AND 8A—(Continued)

Ref. No.	Part No.	Description	Parts Required		
			L.	R.	Total
19	#6x $\frac{3}{8}$ "	P. K. Screw—Type Z—Round Head.....	1	1	2
20	58834-10	Grimes Model E Position Light—L.H. (A1285E).....	1	..	1
21	58834-12	Grimes Model E Position Light—R.H. (A1285E).....	..	1	1
22	AN742-3	Clamp	1
23	#6x $\frac{3}{8}$ "	P. K. Screw—Type Z—Round Head.....	1
24	58403-16	Tail Light Mount—(Casting).....	1
25	58834-11	Grimes Model A-2064 S Tail Light (15 c.p.).....	1
26	58834-130	Tail Light Wire—Rudder.....	1
27	58834-127	Tail Light Wire—Fuselage.....	1
28	AN931-3-5	Rubber Grommet	6
29	AN4-4	Bolt	1
30	AN960-416	Washer	1
31	AN365-428	Nut	1
32	58834-101	Battery Ground Cable.....	1
33	58834-1	Battery—(Willard Type AW12-25).....	1
34	481086-2	Battery Box (Only)—(For Willard Battery).....	1
35	481086	Battery Box Assembly—(For Willard Battery).....	2
36	AN742-10C	Clamp	2
37	AN515-10R-7	Screw	2
38	AN960-10	Washer	2
39	AN365-1032	Nut	2
40	181036	Stay Bolt—Battery Box.....	2
41	AN345-10	Nut	2
42	AN960-C10	Washer	4
43	AN365-1032	Nut	2
44	58834-102	Battery to Solenoid Cable.....	1
45	58834-106	Solenoid Wire	1
46	58834-2	Solenoid (G. E.) (#CR-2792).....	1
47	AN520-10-8	Screw	4
48	AN960-10L	Washer	8
49	AN365-1032	Nut	4
50	481086-7	Battery Box Filler—(Side).....	1
51	481086-3	Battery Box Floor.....	1
52	581231	Battery Box Platform Assembly (Willard Battery).....	1
53	AN883-3-20	Vent Tube Hose.....	1
54	181089	Battery Vent Tube.....	1
55	AN745-D-5C	Clamp (Holding Vent Tube to Platform).....	1
56	AN520-DD10-6	Screw (Holding Vent Tube to Platform).....	1
57	AN364D-1032	Nut (Holding Vent Tube to Platform).....	1
58	AN931-3-5	Rubber Grommet—(Vent Tube—at Bottom No. 3 Skin).....	1
59	AN350-1032	Wing Nut	2
60	AN960-C10	Washer	2

SILVAIRE AIRCRAFT COMPANY, FORT COLLINS, COLORADO

ELECTRICAL SYSTEM — MODELS 8E AND 8A — (Continued)

Ref. No.	Part No.	Description	Parts Required		
			L.	R.	Total
61	481087	Battery Box Cover Assembly (Willard Battery).....	1
62	481087-4	Battery Box Cover Liner.....	1
63	481086-8	Battery Box Filler—(End).....	2
64	481086-6	Battery Box Filler—(Side).....	1
65	AN931-10-14	Rubber Grommet	2
66	58834-119	Landing Light Wire—Switch to Terminal Strip.....	1
67	58834-132	Position Light Wire—Switch to Terminal Strip.....	1
68	58834-17	Circuit Breaker—(G. E. MCM363T35).....	1
69	58834-16	Circuit Breaker—(G. E. MCM363T15).....	1
70		Bus Bar	1
71	58834-3	Circuit Breaker—(G. E. MCM364T50).....	1
72	18892	Filler—(Circuit Breaker)	3
73	AN515-6-8	Screw	6
74	AN365-632	Nut	6
75	58834-107	Wire—Master Switch to Solenoid.....	1
76	58834-103	Cable—Battery to Starter.....	1
77	28888-2	Circuit Breaker Cover—(Only).....	1
78	AN515-6-6	Screw	4
79	AN365-632	Nut	4
80	28888	Circuit Breaker Cover Assembly.....	1
81	AN931-14-20	Rubber Grommet	1
82	58834-137	Wire—Fuse to Voltage Regulator (“B” Terminal).....	1
83	AN931-10-14	Rubber Grommet	4
84	AN742-10C	Clamp	1
85	AN3-3	Bolt	1
86	AN960-10L	Washer	1
87	AN365-1032	Nut	1
88	186123	Clip	1
89	58834-22	Position, Tail and Panel Light Switch (No. PP 300).....	1
90	58834-151	Panel Light Wire—Switch to Rheostat..... (Note: Used on 8E Aircraft No. 350 and Subs.)	1
91	58834-26	Rheostat—Panel Light (No. C100P)..... (Note: Used on 8E Aircraft No. 350 and Subs.)	1
92	58834-23	Landing Light Switch (PP 300).....	1
93	58834-27	Cigarette Lighter—With Wire—(Casco No. 14003).....	1
94	58834-113	Wire Landing Light Switch to Circuit Breaker.....	1
95	58834-112	Wire—Position Light Switch to Circuit Breaker.....	1
96		Shielded or Unshielded Ignition Cable—Magneto to Spark Plug— top No. 3 Cylinder—R.H.....	..	1	1
97		Shielded or Unshielded Ignition Cable—Magneto to Spark Plug—Top No. 1 Cylinder—R.H.....	..	1	1
98		Shielded or Unshielded Ignition Cable—Magneto to Spark Plug—Top No. 2 Cylinder—R.H.....	..	1	1

SILVAIRE AIRCRAFT COMPANY, FORT COLLINS, COLORADO

ELECTRICAL SYSTEM — MODELS 8E AND 8A — (Continued)

Ref. No.	Part No.	Description	Parts Required		
			L.	R.	Total
99		Shielded or Unshielded Ignition Cable—Magneto to Spark Plug—Top No. 4 Cylinder—R.H. (Note: Ref. Nos. 96, 97, 98, 99, 110, 111, 112, 113—Parts supplied by Continental Motors Corporation.)	..	1	1
100	58834-20	Magneto—R.H.	..	1	1
101	58834-9	Generator—Delco-Remy No. 1101876)	1
102	58834-111	Wire—Generator to "A" Terminal Voltage Regulator	1
103	58834-110	Wire—Generator to "F" Terminal Voltage Regulator	1
104	58834-8	Voltage Regulator (Delco-Remy)	1
105	58834-18	Condenser with Wire Lead (to "A" Terminal)—(Aero Vox Type 1140—.5 MFD—200 V.D.C.W.V.)	1
106	AN4-6	Bolt	3
107	AN960-416	Washer	3
108	AN365-428	Nut	3
109	58834-19	Magneto—L.H.	1	..	1
110		Shielded or Unshielded Ignition Cable—Magneto to Spark Plug—Bottom No. 2 Cylinder—L.H.	1	..	1
111		Shielded or Unshielded Ignition Cable—Magneto to Spark Plug—Bottom No. 4 Cylinder—L.H.	1	..	1
112		Shielded or Unshielded Ignition Cable—Magneto to Spark Plug—Bottom No. 1 Cylinder—L.H.	1	..	1
113		Shielded or Unshielded Ignition Cable—Magneto to Spark Plug—Bottom No. 3 Cylinder—L.H.	1	..	1
114	1908524	Lever	1
115	1905877	Screw—Shift Lever Adjusting	1
116	58834-7	Starter—(Delco-Remy No. 1109656)	1
117	58834-4	Starter Switch (Delco-Remy)	1
118	58834-141	Ground Wire—Master Switch to Instrument Panel	1
119	58834-5	Master Switch—(Cutler-Hammer No. 8701 K4)	1
120	188111	Master Switch Placard	1
121	18890	Master Switch Guard	1
122	AN515-6-6	Screw	2
123	58834-104	Wire—Starter Switch to Circuit Breaker	1
124	58834-149	Wire—Magneto Switch to Left Magneto	1	..	1
125	58834-150	Wire—Magneto Switch to Right Magneto	..	1	1
126	58834-148	Ground Wire—Magneto Switch to Left Magneto	1	..	1
127	58834-25	Ignition Switch	1
128	AN515-6-6	Screw	2
129	AN960-6	Washer	2
130	AN365-632	Nut	2
131	58834-109	Wire—Master Switch to Fuse	1
132	58834-145	Wire—Panel Light to Main Panel Light Wire	1
133	99315	Panel Light Socket (United Carr)	3

SILVAIRE AIRCRAFT COMPANY, FORT COLLINS, COLORADO

ELECTRICAL SYSTEM — MODELS 8E AND 8A — (Continued)

Ref. No.	Part No.	Description	Parts Required		
			L.	R.	Total
134	181146	Panel Light Bracket.....	3
135	#53	Panel Light Bulb (G.E.).....	3
136	58834-152	Wire—Panel Lights to Rheostat..... (Note: Used on 8E Aircraft No. 350 and Subs.)	1
137	58834-144	Wire—Switch to Panel Lights..... (Note: Used on 8E Aircraft No. 1 through)	1
138	58834-147	Ground Wire—Shock Panel to Instrument Panel.....	1
139	58834-105	Wire—Master Switch to Ammeter Minus Pole..... (Note: Used on 8E Aircraft No. 1 to No. 20 with Ammeter on left side of panel.)	1	..	1
140	58834-161	Wire—Master Switch to Ammeter Minus Pole..... (Note: Used on 8E Aircraft No. 20 and Subs. with Ammeter on right side of panel.)	1	..	1
141	58834-136	Wire—Circuit Breaker to Ammeter Plus Pole..... (Note: Used on 8E Aircraft No. 1 to No. 20 with Ammeter on left side of panel.)	1	..	1
142	58834-163	Wire—Circuit Breaker to Ammeter Plus Pole..... (Note: Used on 8E Aircraft No. 20 and Subs. with Ammeter on right side of panel.)	..	1	1
143	58834-6	Ammeter—(Scott No. 0 W 4000).....	1
144	AN515-6-6	Screw	3
145	AN365-632	Nut	3
	AN960-6	Washer	3
146	58834-108	Wire—Circuit Breaker to Ammeter Minus Pole..... (Note: Used on 8E Aircraft No. 1 to No. 20 with Ammeter on left side of panel.)	1	..	1
147	58834-162	Wire—Circuit Breaker to Ammeter Minus Pole..... (Note: Used on 8E Aircraft No. 21 and Subs. with Ammeter on right side of panel.)	..	1	1
148	AN515-6-6	Screw	4
149	AN340-6	Nut	4
150	5701	Fuse Holder—(Littlefuse)	1
151	58834-15	Fuse—(Littlefuse—4AG 30 Amp.).....	2
152	5701	Fuse Holder—(Littlefuse)	1
153	188103	Placard	1
154	48887	Circuit Breaker Box Assembly.....	1
155	AN515-6-6	Screw	4
156	AN960-6	Washer	4
	AN935-6	Lock Washer	4
157	AN340-6	Nut	4
158	AN931-4-7	Rubber Grommet	2
		(Note: Ref. No. 96 thru No. 100, No. 109, thru 113, No. 124 thru 130 comprise the standard electrical system of Model 8A Silvaire.)			

SILVAIRE AIRCRAFT COMPANY FORT COLLINS COLORADO

ELECTRICAL SYSTEM—MODEL 7-A1 AND 7-A2—Continued

Part No.	Description	Quantity	Unit Price	Total Price
101	...	1
102	...	1
103	...	1
104	...	1
105	...	1
106	...	1
107	...	1
108	...	1
109	...	1
110	...	1
111	...	1
112	...	1
113	...	1
114	...	1
115	...	1
116	...	1
117	...	1
118	...	1
119	...	1
120	...	1
121	...	1
122	...	1
123	...	1
124	...	1
125	...	1
126	...	1
127	...	1
128	...	1
129	...	1
130	...	1
131	...	1
132	...	1
133	...	1
134	...	1
135	...	1
136	...	1
137	...	1
138	...	1
139	...	1
140	...	1
141	...	1
142	...	1
143	...	1
144	...	1
145	...	1
146	...	1
147	...	1
148	...	1
149	...	1
150	...	1
151	...	1
152	...	1
153	...	1
154	...	1
155	...	1
156	...	1
157	...	1
158	...	1
159	...	1
160	...	1
161	...	1
162	...	1
163	...	1
164	...	1
165	...	1
166	...	1
167	...	1
168	...	1
169	...	1
170	...	1
171	...	1
172	...	1
173	...	1
174	...	1
175	...	1
176	...	1
177	...	1
178	...	1
179	...	1
180	...	1
181	...	1
182	...	1
183	...	1
184	...	1
185	...	1
186	...	1
187	...	1
188	...	1
189	...	1
190	...	1
191	...	1
192	...	1
193	...	1
194	...	1
195	...	1
196	...	1
197	...	1
198	...	1
199	...	1
200	...	1

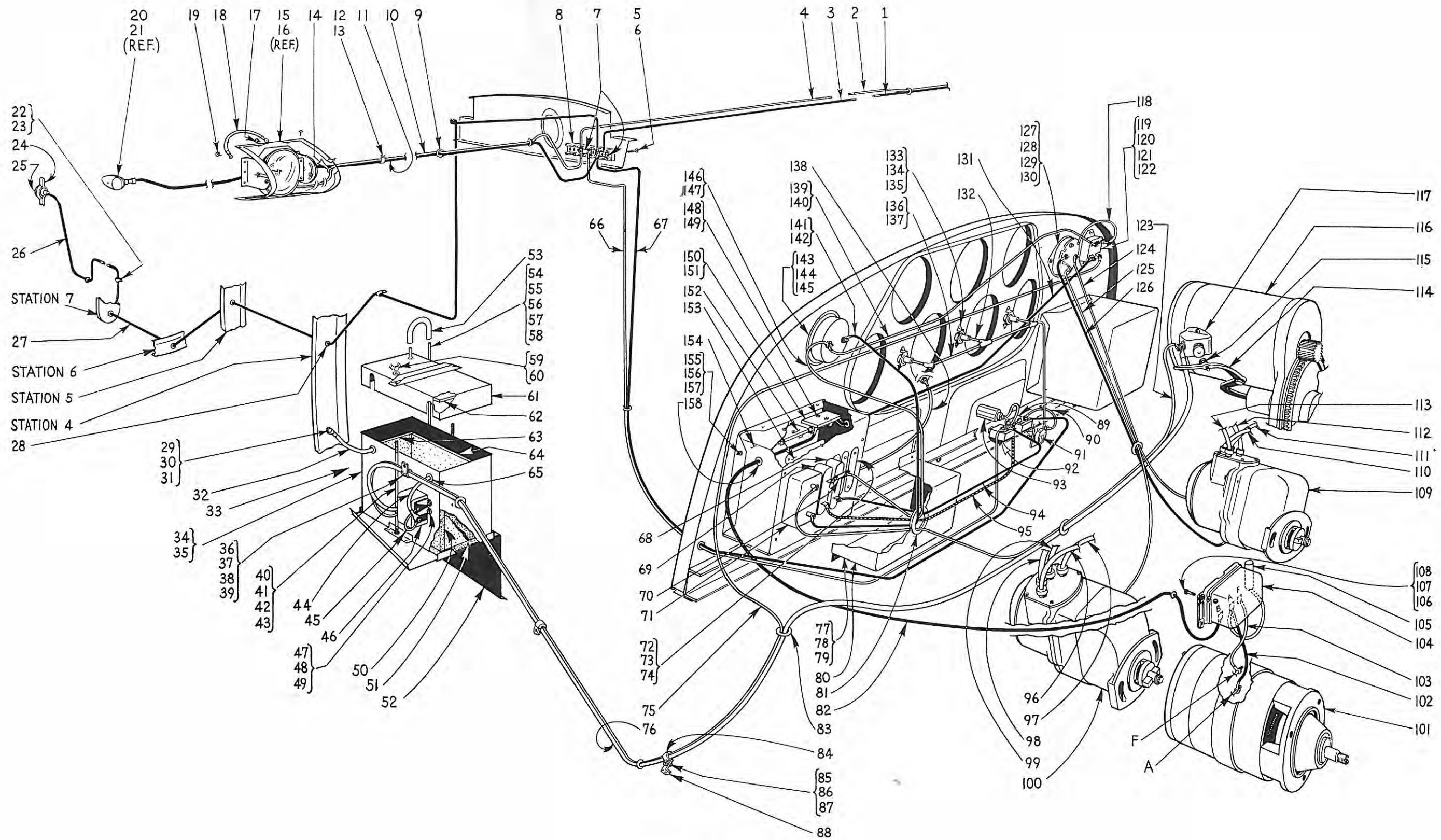


FIGURE No. 25
ELECTRICAL SYSTEM MODELS 8E & 8A

COWL ASSEMBLY — A-65 ENGINE

FIGURE No. 26

Ref. No.	Part No.	Description	Parts Required		
			Left	Right	Total
1	086085	Cowl Assembly—Complete (Assembly includes the following parts from Figure No. 26): Parts Ref. Nos. 2, 3, 4, 5, 6, 7, 8, 9, 10, 11, 12, 13, 14, 15, 16, 17, 18, 19, 21.)	1
2	086085-3	Top Center Cowl Skin.....	1
3	086085-2	Cowl Nose Stamping.....	1
4	48683-2	Cylinder Baffle—R.H.	1	1
5	AN515-6-8	Screw	3	3	6
6	AN960-6	Washer	3	3	6
7	AN365-632	Nut	3	3	6
8	48684-2	Cylinder Baffle—L.H.	1	..	1
9	086085-12	Air Scoop	1
10	086085-4	Bottom Cowl Stamping.....	1
11	086066-12	Stiffener—Dzus Fastener	2	2	4
12	S6-425	Spring—Dzus Fastener	2	2	4
13	F6½-55	Dzus Fastener	2	2	4
14	GF6½-250	Grommet—Dzus Fastener	2	2	4
15	086085-5	Cowl Door—L.H.	1	..	1
16	086085-6	Cowl Door—R.H.	1	1
17	086085-10	Felt Buffer	3	3	6
18	086085-9	Hinge—Cowl Door	1	1	2
19	AN366-F1032	Nut Plate	10
20	086085-7	Doubler	10
21	AN526-10-8	Screw	10
22	AN515-6-8	Screw	4
23	AN960-6	Washer	8
24	AN365-632	Nut	4
25	286043	Flanged Vent.....	1	1	2

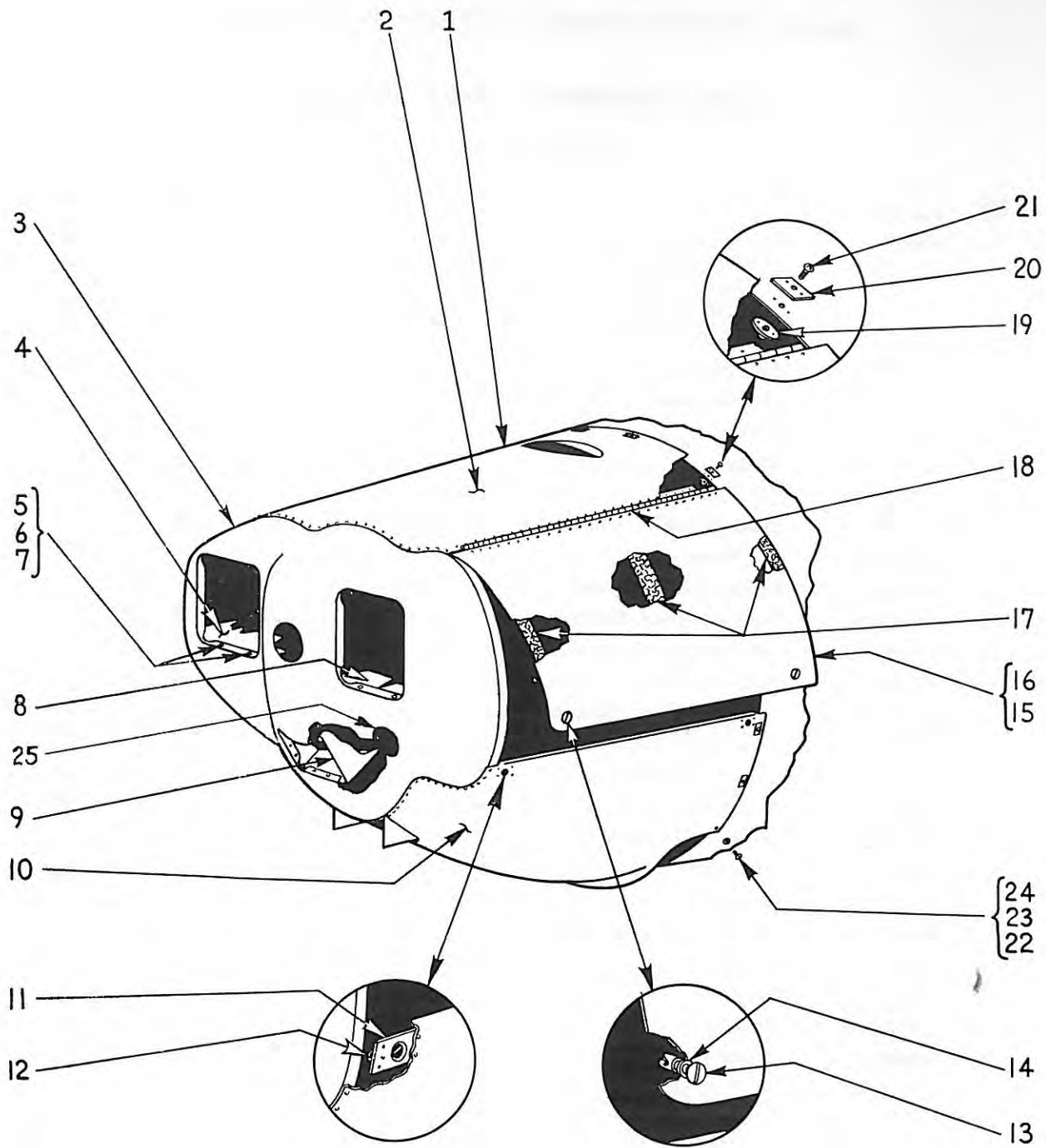


FIGURE No. 26
 COWL ASSEMBLY—A-65 ENGINE

SEATING AND SAFETY BELTS—MODEL 8A

FIGURE No. 27

Ref. No.	Part No.	Description	Parts Required		
			Left	Right	Total
1	188110	Safety Belt Attachment.....	2
2	AN115-32	Shackle	1
3	AN380-2-2	Cotter Pin	1
4	AN960-416	Washer	1
5	581148	Seat Back Assembly—Model 8A (Shown).....	1
6	581151	Seat Back Assembly—Model 8E	1
7	M-264	“Air Associates” Safety Belt.....	..	1	1
8	581147-1	Seat Cushion—R.H.	1	1
9	188110	Safety Belt Attachment.....	1	1	2
10	AN380-2-2	Cotter Pin	1	1	2
11	181104	Safety Belt Attach. Lug.—L.H.....	..	1	1
12	181104-1	Safety Belt Attach. Lug.—R.H.....	1	..	1
13	AN3-6A	Bolt	1	1	2
14	AN960-10	Washer	1	1	2
15	AN365-1032	Nut	1	1	2
16	181078	Safety Belt Anchor—L.H.....	1	..	1
17	181078-1	Safety Belt Anchor—R.H.....	..	1	1
18	58013	Angle—Seat Bottom
19	AN393-11	Clevis Pin	1	1	2
20	AN115-16	Shackle	1	1	2
21	M-264	“Air Associates” Safety Belt.....	1	..	1
22	581147	Seat Cushion—L.H.	1	..	1
23	AN365-1032	Nut	1	1	2
24	AN960-10	Washer	1	1	2
25	18060	Hinge Bracket—Seat Back.....	1	1	2
26	AN960-10	Washer	3	3	6
27	AN3-22A	Bolt	1	1	2
28	181131	Hinge Plate Assembly—Seat Back.....	1	1	2
29	AN365-1032	Nut	1	1	2
30	AN960-10	Washer	1
31	AN3-5A	Bolt	1
32	181006	Center Safety Belt Anchor.....	1
33	AN394-15	Clevis Pin	1
34	58013-6	Angle—Seat Bottom
35	AN3-5A	Bolt	1
36	AN960-10	Washer	1
37	AN365-1032	Nut	1

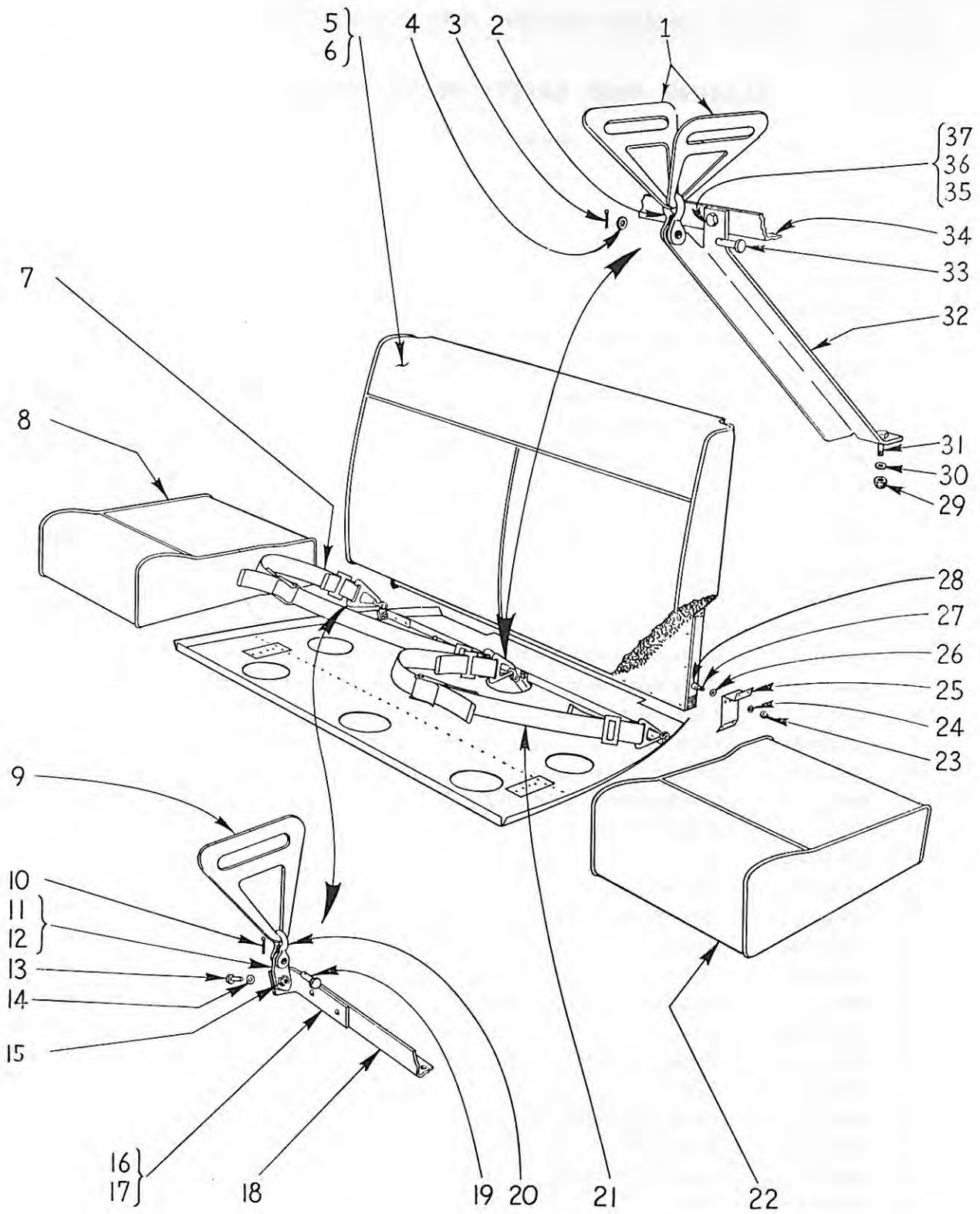


FIGURE No. 27
 SEATING & SAFETY BELTS—MODEL 8A

UPHOLSTERY—MODEL 8A

FIGURE No. 28

Ref. No.	Part No.	Description	Parts Required		
			Left	Right	Total
1	588125-100	Superstructure Header	1
2	AN365-836	Nut	15
3	AN960-8	Washer	15
4	AN520-8-R8	Screw	15
5	281094	Skylight Ring	1
6	A-1	License Holder	1	1	2
7	588127-100	Side Header—R.H.	1	1
8	28123-1	Door Headliner Assembly—R.H.	1	1
9	28123-5	Door Headliner—Only—R.H.	1	1
10	#4x 1/4"	Type A Parker-Kalon Screw—Stove Head.....	4
11	28123-7	Weather Strip Retainer.....	..	1	1
12	#4x 1/4"	Type A Parker-Kalon Screw—Stove Head.....	..	8	8
13	28123-4	Inner Seal Weather Strip.....	..	1	1
14		"Bostitch" Staple	14	14
15	#4x 3/8"	Type A Parker-Kalon Screw—Stove Head.....	..	10	10
16	#601-4	Finishing Washer	7	7
17	588116-100	Door Panel Assembly—R.H. (Shown).....	..	1	1
18	588116-00	Door Panel Assembly—L.H. (Not Shown).....	1	..	1
19	#4x 3/8"	Type A Parker-Kalon Screw—Stove Head (Per Door).....	19	19	38
20	#601-4	Finishing Washer (Per Door).....	19	19	38
21	588129-100	Lower Door Panel—R.H.	1	1
22	#4x 3/8"	Type A Parker-Kalon Screw.....	3	3	6
23	#601-4	Finishing Washer	3	3	6
24	28145	Boot—Control Stick	1	1	2
25	28144	Oleo Cover Assembly..... (Assembly includes the following part from Figure No. 13: Part Ref. No. 24.)	1
26	#4x 3/8"	Type A Parker-Kalon Screw.....	10
27	#601-4	Finishing Washer	10
28	588129-99	Lower Door Panel—L.H.	1	..	1
29	18077-3	Placard—Baggage Capacity	1
30	#4x 3/8"	Type A Parker-Kalon Screw—Stove Head.....	8
31	#601-4	Finishing Washer	8
32	28122	Gas Tank Panel.....	1
33	#4x 1/4"	Type A Parker-Kalon Screw—Stove Head.....	8
34	28123	Door Headliner Assembly—L.H.	1	..	1
35	28123-6	Door Headliner Only—L.H.	1	..	1
36	28123-4	Inner Seal Weather Strip.....	1	..	1
37		"Bostitch" Staple	14	..	14
38	#4x 1/4"	Type A Parker-Kalon Screw—Stove Head.....	4	..	4
39	588127-00	Side Header—L.H.	1	..	1
40	#4x 3/8"	Type A Parker-Kalon Screw—Stove Head.....	10	..	10

UPHOLSTERY — MODEL 8A — (Continued)

Ref. No.	Part No.	Description	Parts Required		
			Left	Right	Total
41	#601-4	Finishing Washer	7	..	7
42	18609	Gas Gauge Escutcheon Ring.....	1
43	#4x 1/4"	Type A Parker-Kalon Screw—Stove Head.....	3
44	#4x 3/8"	Type A Parker-Kalon Screw—Stove Head.....	5
45	#601-4	Finishing Washer	5
46	#4x 1/4"	Type A Parker-Kalon Screw—Stove Head.....	2

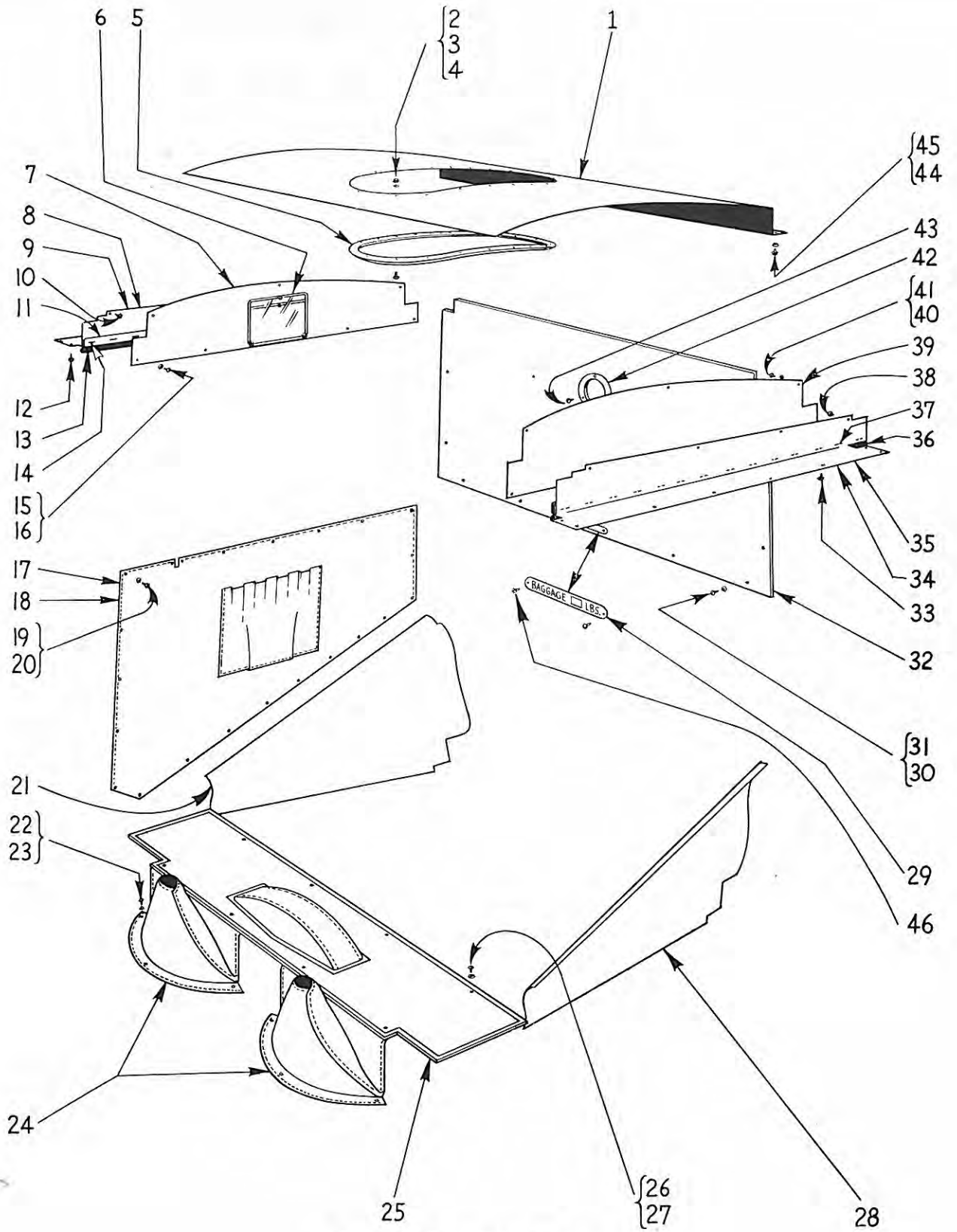


FIGURE No. 28
UPHOLSTERY—MODEL 8A

UPHOLSTERY AND FLOOR BOARDS—MODEL 8A

FIGURE No. 29

Ref. No.	Part No.	Description	Parts Required		
			Left	Right	Total
1	28833	Cover—Aileron Jumper Cable.....	1
2	AN515-6-8	Screw	4
3	AN960-6	Washers	4
4	AN365-632	Nut	4
5	#4x $\frac{1}{4}$ "	Type A Parker-Kalon Screw.....	3
6		(Note: Remove Front Flange on Part No. 28833 when installing No. 081105-2 Windshield.)			
7	488117	Firewall Panel Assembly.....	1
8	AN515-6-8	Screw	1
9	AN960-6	Washer	4
10	AN365-632	Nut	1
11	#4x $\frac{3}{8}$ "	Type A Parker-Kalon Screw—Oval Head.....	4	..	4
12	#601-4	Cup Washer	4	..	4
13	488124	Aileron Cable Cover—Cable Side—L.H.....	1	..	1
14	AN515-6-6	Screw	3	..	3
15	AN960-6	Washer	3	..	3
16	AN365-632	Nut	3	..	3
17	588138-2	Forward Kick Panel—L.H.....	1	..	1
18	#4x $\frac{3}{8}$ "	Parker-Kalon Screw—Oval Head.....	4	..	4
19	#601-4	Cup Washer	4	..	4
20	#4x $\frac{3}{8}$ "	Parker-Kalon Screw—Oval Head.....	7	..	7
21	#601-4	Cup Washer	7	..	7
22	588138-3	Rear Kick Panel—L.H.....	1	..	1
23	48014-2	Floor Board—Front	1
24	#6x $\frac{3}{4}$ "	Type A Parker-Kalon Screw—Binder Head.....	4
25	28178-4	Floor Board Support—Front.....	1
26		Note: For Aircraft equipped with parking brake—Floor board support No. 28178-3 is cut off in center and hole is re-located as shown.			
27	48014-3	Floor Board—Rear	1
28	28178-3	Floor Board Support—L.H.....	1	..	1
29	28178-2	Floor Board Support—R.H.....	..	1	1
30	48143	Front Carpet	1
31	#6x $\frac{3}{8}$ "	Type A Parker-Kalon Screw—Oval Head.....	6
32	#601-6	Cup Washer	6
33	#6x $\frac{3}{4}$ "	Type A Parker-Kalon Screw—Binder Head.....	6
34	#6x $\frac{3}{4}$ "	Type A Parker-Kalon Screw—Binder Head.....	6
35	48021-2	Heel Plate—Floor Board.....	1	..	1
36	18041	Cover—Rudder Cable	1
37	588118-1	Kick Panel, R.H.....	..	1	1
38	#4x $\frac{3}{8}$ "	Type A Parker-Kalon Screw—Oval Head.....	..	11	11
39	#601-4	Cup Washer	11	11

UPHOLSTERY AND FLOOR BOARDS — MODEL 8A — (Continued)

Ref. No.	Part No.	Description	Parts Required		
			Left	Right	Total
40	AN515-6-6	Screw	3	3
41	AN960-6	Washer	3	3
42	AN365-632	Nut	3	3
43	488124-1	Aileron Cable Cover—Cabin Side—R.H.....	..	1	1
44	#4x 3/8"	Type A Parker-Kalon Screw—Oval Head.....	..	4	4
45	#601-4	Cup Washer	4	4
46	X-200	Rubber Channel—L.H. and R.H. Kick Panels.....	1	1	2

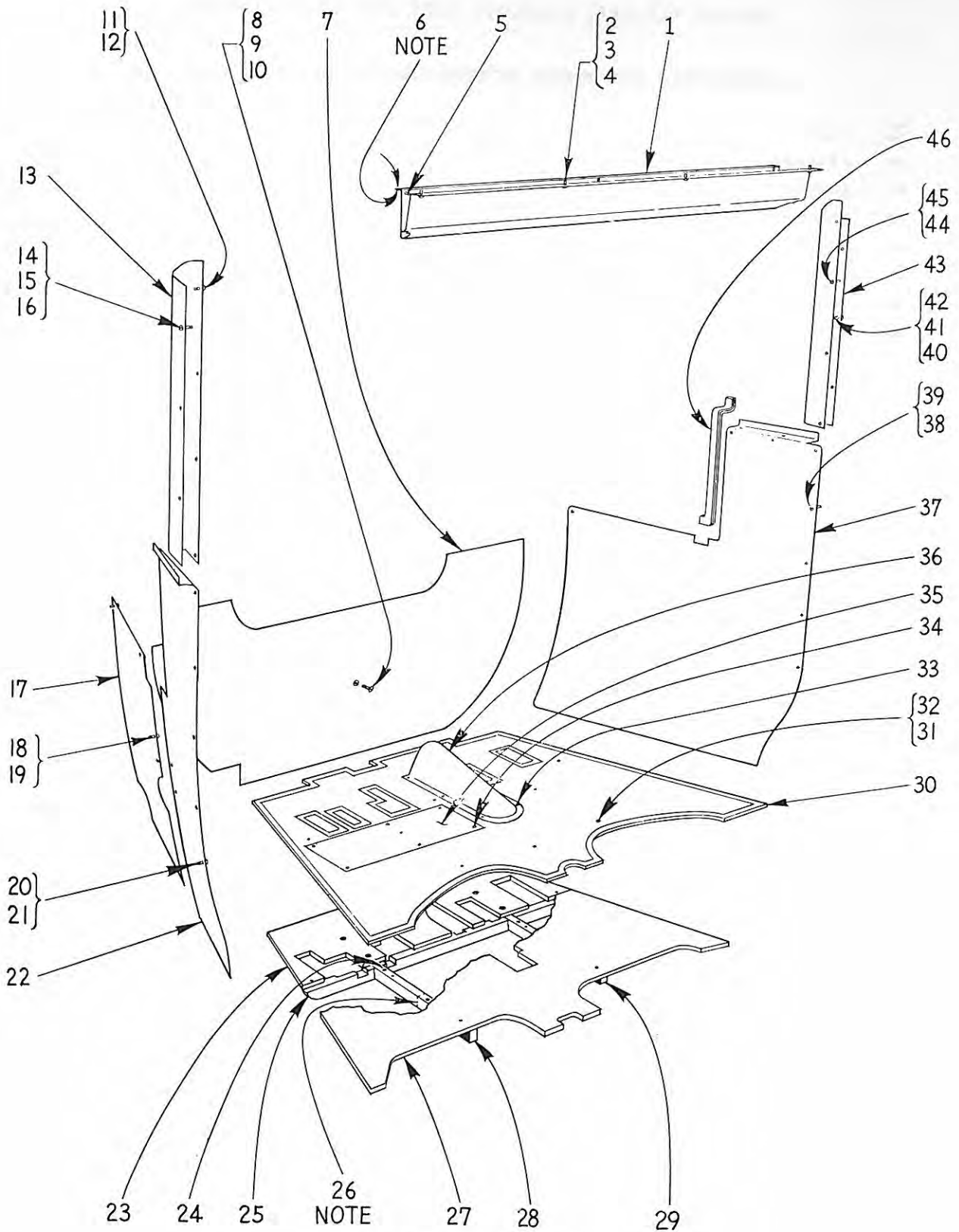


FIGURE No. 29
 UPHOLSTERY & FLOOR BOARDS—MODEL 8A

BAGGAGE COMPARTMENT—MODEL 8A

FIGURE No. 30

Ref. No.	Part No.	Description	Parts Required		
			Left	Right	Total
1	48059	Baggage Compartment—Complete
2	48059-2	Canvas Baggage Assembly.....	1
3	48059-8	Filler Strip—Baggage Compartment.....	1
4	AN505-6-8	Screw	9
5	AN960-6	Washer	18
6	AN935-6	Lock Washer	9
7	AN340-6	Nut	9
8	AN515-68	Screw	1	1	2
9	AN960-6	Washer	2	2	4
10	AN935-6	Lock Washer	1	1	2
11	AN340-6	Nut	1	1	2
12	AN3-4A	Bolt	1	1
13	AN960-10	Washer	1	1
14	AN365-1032	Nut	1	1
15	AN515-6-6	Screw	3	3	6
16	AN960-6	Washer	6	6	12
17	AN935-6	Lock Washer	3	3	6
18	AN340-6	Nut	3	3	6
19	AN515-6-20	Screw	2
20	AN960-6	Washer	2	2	4
21	AN935-6	Lock Washer	1	1	2
22	AN340-6	Nut	1	1	2
23	AN365-1032	Nut	1	..	1
24	AN960-10	Washer	1	..	1
25	AN3-4A	Bolt	1	..	1
26	48059-6	Floor—Baggage Compartment	1
27	48059-7	Filler Strip—Baggage Compartment.....	1
28	#6x 1/8"	Parker-Kalon Screw—Round Head.....	3
29	AN960-6	Washer	3
30	AN515-6-8	Screw	3
31	AN960-6	Washer	3
32	AN935-6	Lock Washer	3
33	AN340-6	Nut	3
34	AN3-4A	Bolt	1	1
35	AN960-10	Washer	1	1
36	AN935-1032	Nut	1	1
37	AN365-1032	Nut	1	1
38	AN960-10	Washer	1	1
39	AN3-4A	Bolt	1	1
40	48059-10	Frame Assembly—Baggage Compartment.....	1

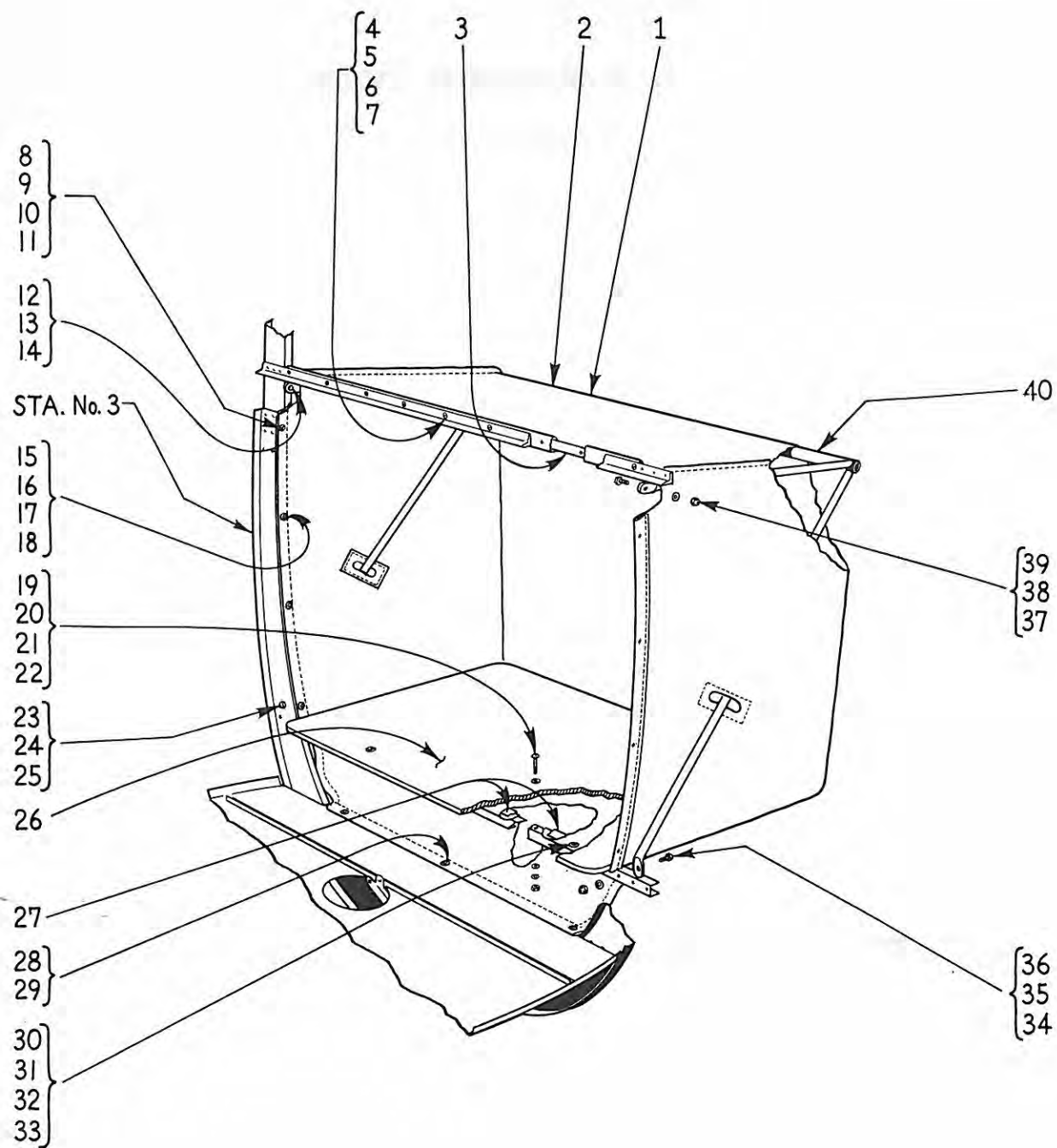


FIGURE No. 30
 BAGGAGE COMPARTMENT—MODEL 8A